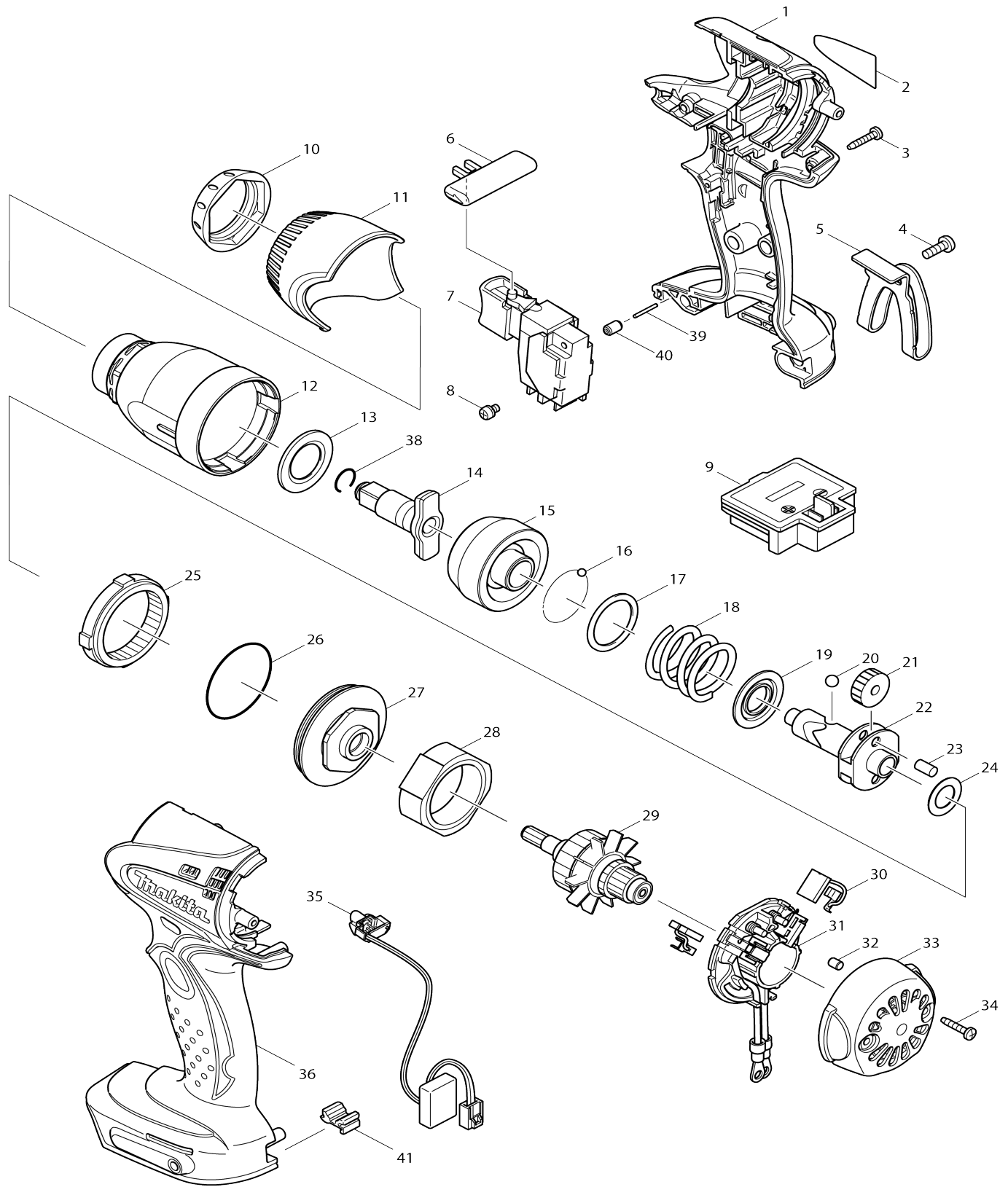


# Model No.DTW152 CORDLESS IMPACT WRENCH



Model No.DTW152 CORDLESS IMPACT WRENCH

Item No.	Parts No.	Description	Interchangability	Q'ty	New/Old	Note1	Note2
001	187472-7	HOUSING SET		1			
C10	263005-3	RUBBER PIN 6		2			
D10		INC. 36					
002	815U25-5	DTW152 NAME PLATE		1			
003	266130-9	TAPPING SCREW BIND PT 3X16		8			
004	251314-2	+ SCREW M4X12		1			
005	346317-0	HOOK		1			
006	419041-9	F/R CHANGE LEVER		1			
007	650652-3	SWITCH TG553FSB-1B		1			
008	652045-0	+PAN HEAD SCREW M3.5X5		2			
009	643866-1	TERMINAL		1			
010	424375-7	BUMPER		1			
011	452439-7	HAMMER CASE COVER		1			
012	140170-4	HAMMER CASE COMPLETE		1			
013	261116-8	NYLON WASHER 18		1			
014	325620-2	ANVIL		1			
015	324689-3	HAMMER		1			
016	216001-0	STEEL BALL 3.5		24			
017	267175-0	FLAT WASHER 24		1			
018	233473-4	COMPRESSION SPRING 25		1			
019	267766-7	CUP WASHER 14		1			
020	216011-7	STEEL BALL 5.6		2			
021	227233-4	SPUR GEAR 22		2	*		
021-1	227362-3	SPUR GEAR 22	<	2			
022	324220-5	SPINDLE		1			
023	256253-1	PIN 5		2			
024	267212-0	FLAT WASHER 12		1			
025	227150-8	INTERNAL GEAR 51		1			
026	213507-9	O RING 40		1			
027	154769-9	BEARING BOX COMPLETE		1			
028	638450-5	YOKE UNIT		1			
029	619244-7	ARMATURE		1	*		
029-1	619370-2	ARMATURE	<	1			
030	194427-5	CARBON BRUSH SET CB-440		1	*		
030-1	195021-6	CARBON BRUSH SET CB-440	O	1			
031	638895-7	BRUSH HOLDER COMPLETE		1			
C10	231696-8	TORSION SPRING R		1			
C20	231697-6	TORSION SPRING L		1			
032	263032-0	RUBBER PIN 4		2			
033	418981-8	REAR COVER		1			
034	266130-9	TAPPING SCREW BIND PT 3X16		2			
035	631631-0	LIGHT CIRCUIT		1			
036	187472-7	HOUSING SET		1			
C10	263005-3	RUBBER PIN 6		2			
D10		INC. 1					
A02	194204-5	BATTERY BL1830 SET		2	*		
038	231907-1	RING SPRING 10		1			

039	268184-2	PIN 1.5		1		
040	263036-2	RUBBER PIN 5		1		
041	424026-2	CUSHION		1		
A01	***DC18RC	DC18RC FAST CHARGER		1		
A02	194065-3	BATTERY BL1430 SET		2	*	
A02-1	194065-3	BATTERY BL1430 SET	O	2	*	
A02-2	197616-1	BATTERY BL1430B SET	<	2	*	
A02-3	197616-1	BATTERY BL1430B SET	O	2		
A03	141205-4	PLASTIC CARRYING CASE		1		
C10	324207-7	SHAFT		1		
C20	413098-2	PLATE		4		
C30	417724-5	LATCH		2		
C40	419215-2	PLASTIC CASE LID		1		
C50	419216-0	HANDLE		1		
A04	450128-8	BATTERY COVER		1		
F32	194654-4	HOOK SET		1		
C10	251314-2	+ SCREW M4X12		1		
C20	324705-1	HOOK		1		
F33-3	197622-6	BATTERY BL1430B SET(2PIECES)	O	1	*	
F34-3	197615-3	BATTERY BL1430B SET	O	1		
F35-2	197043-2	TOOL HANGER SET	O	1		

Please state Parts No. when your order.

Print Date 27/12/2023