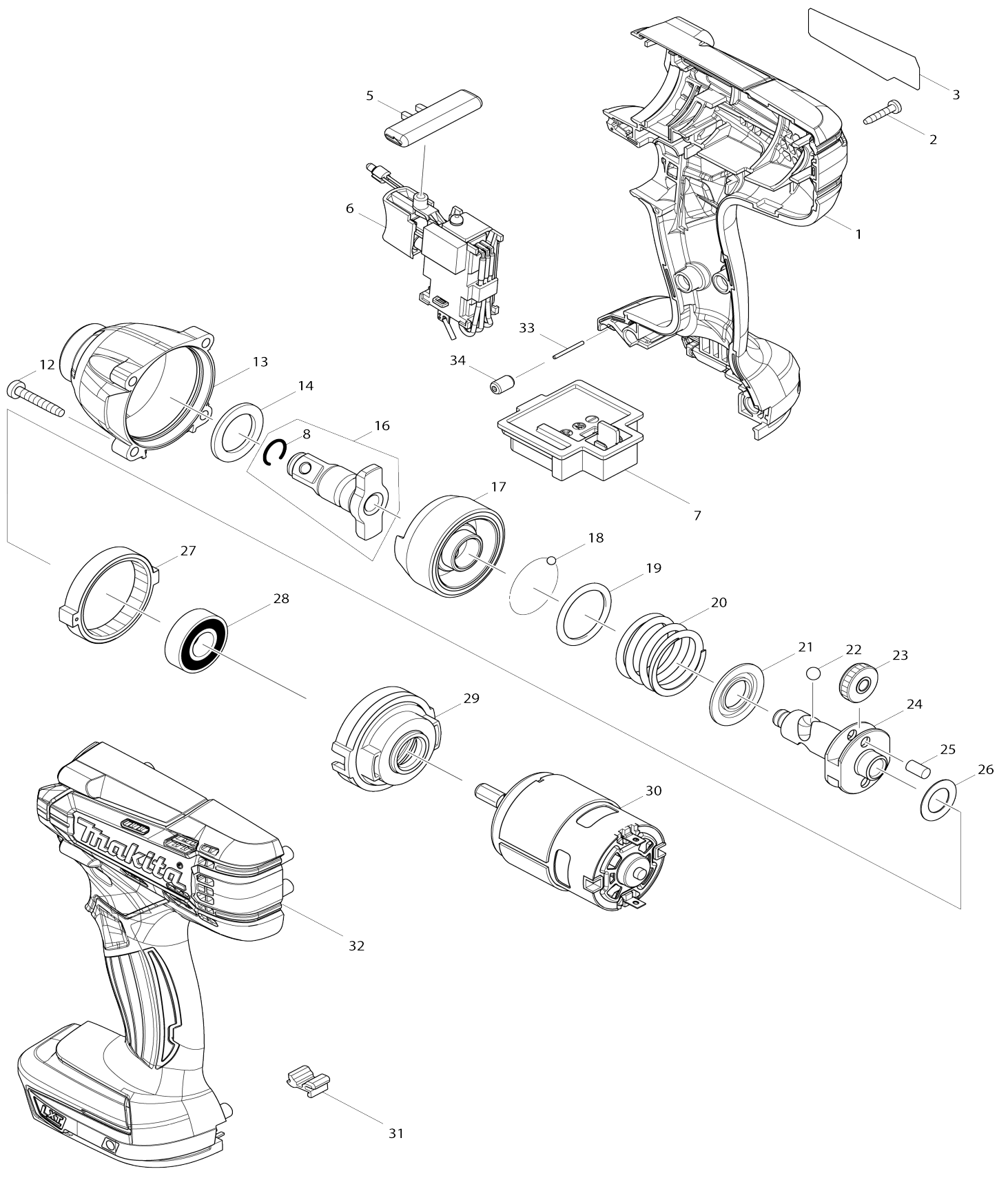


# Model No.DTW190 CORDLESS IMPACT WRENCH



Model No.DTW190 CORDLESS IMPACT WRENCH

Item No.	Parts No.	Description	Interchangability	Q'ty	New/Old	Note1	Note2
001	183D73-3	HOUSING SET		1	*		
C10	263005-3	RUBBER PIN 6		2	*		
C20	252126-6	HEX. LOCK NUT M4-7		2	*		
D10		INC. 32					
001-1	183D73-3	HOUSING SET	<	1			
C10	263005-3	RUBBER PIN 6		2			
C20	252126-6	HEX. LOCK NUT M4-7		2			
D10		INC. 32					
002	266429-2	TAPPING SCREW 3X16		8			
003	851W90-2	DTW190 NAME PLATE		1			
005	452399-3	F/R CHANGE LEVER		1			
006	632G34-3	SWITCH UNIT		1	*		
C10	688163-8	LINE FILTER		1	*		
C20	688165-4	LINE FILTER		1	*		
006-1	632J81-2	SWITCH UNIT	<	1			
C10	688163-8	LINE FILTER		1			
C20	688165-4	LINE FILTER		1			
C30	654086-2	RECEPTACLE		2			
C40	654199-9	RECEPTACLE		2			
007	643852-2	TERMINAL		1			
008	231907-1	RING SPRING 10		1			
012	266374-1	TAPPING SCREW 4X25		4			
013	143646-0	HAMMER CASE COMPLETE		1			
C10	213214-4	O RING 16		1	*		
C11	213207-1	O RING 16	O	1	*		
C12	213882-3	O-RING 16	<	1			
014	261151-6	NYLON WASHER 19		1			
016	135745-2	ANVIL E ASSEMBLY		1	*		
D10		INC. 8					
016-1	135796-5	ANVIL E ASSEMBLY	<	1			
D10		INC. 8					
017	326110-8	HAMMER		1			
018	216040-0	STEEL BALL 3.5		24			
019	267175-0	FLAT WASHER 24		1			
020	233430-2	COMPRESSION SPRING 24		1			
021	267766-7	CUP WASHER 14		1			
022	216041-8	STEEL BALL 5.6		2			
023	227362-3	SPUR GEAR 22		2			
024	326109-3	SPINDLE		1			
025	256253-1	PIN 5		2			
026	267212-0	FLAT WASHER 12		1			
027	227279-0	INTERNAL GEAR 51		1			
028	210107-6	BALL BEARING 6001ZZ		1			
029	453056-6	INTERNAL GEAR CASE		1			
030	629199-8	DC MOTOR		1			
031	424476-1	CUSHION		1			
032	183D73-3	HOUSING SET		1	*		

C10	263005-3	RUBBER PIN 6		2	*		
C20	252126-6	HEX. LOCK NUT M4-7		2	*		
D10		INC. 1					
032-1	183D73-3	HOUSING SET	<	1			
C10	263005-3	RUBBER PIN 6		2			
C20	252126-6	HEX. LOCK NUT M4-7		2			
D10		INC. 1					
033	268284-8	PIN 1.5		1			
034	263036-2	RUBBER PIN 5		1			
F01	195779-7	HOOK SET		1			
A01	141856-3	PLASTIC CARRYING CASE COMPLETE		1			
C10	162302-3	LATCH		2			
C20	324207-7	SHAFT		1			
C30	451749-9	HANDLE		1			
A02	808M86-4	DTW190RFE PLASTIC CASE LABEL		2			
A03	***DC18RC	DC18RC FAST CHARGER		1			
D10		COMPO-PARTS					
A04	194204-5	BATTERY BL1830 SET		2	*		
A04-1	197600-6	BATTERY BL1830B SET	<	2	*		
A04-2	197600-6	BATTERY BL1830B SET	O	2			
A05	450128-8	BATTERY COVER		1			
A02	808M91-1	DTW190RME PLASTIC CASE LABEL		2			
A04	197265-4	BATTERY BL1840B SET		2	*		
A04-1	197265-4	BATTERY BL1840B SET	O	2			
A02	808M96-1	DTW190RTE PLASTIC CASE LABEL		2			
A04	197280-8	BATTERY BL1850B SET		2	*		
A04-1	197280-8	BATTERY BL1850B SET	O	2			

Please state Parts No. when your order.

Print Date 10/26/2023