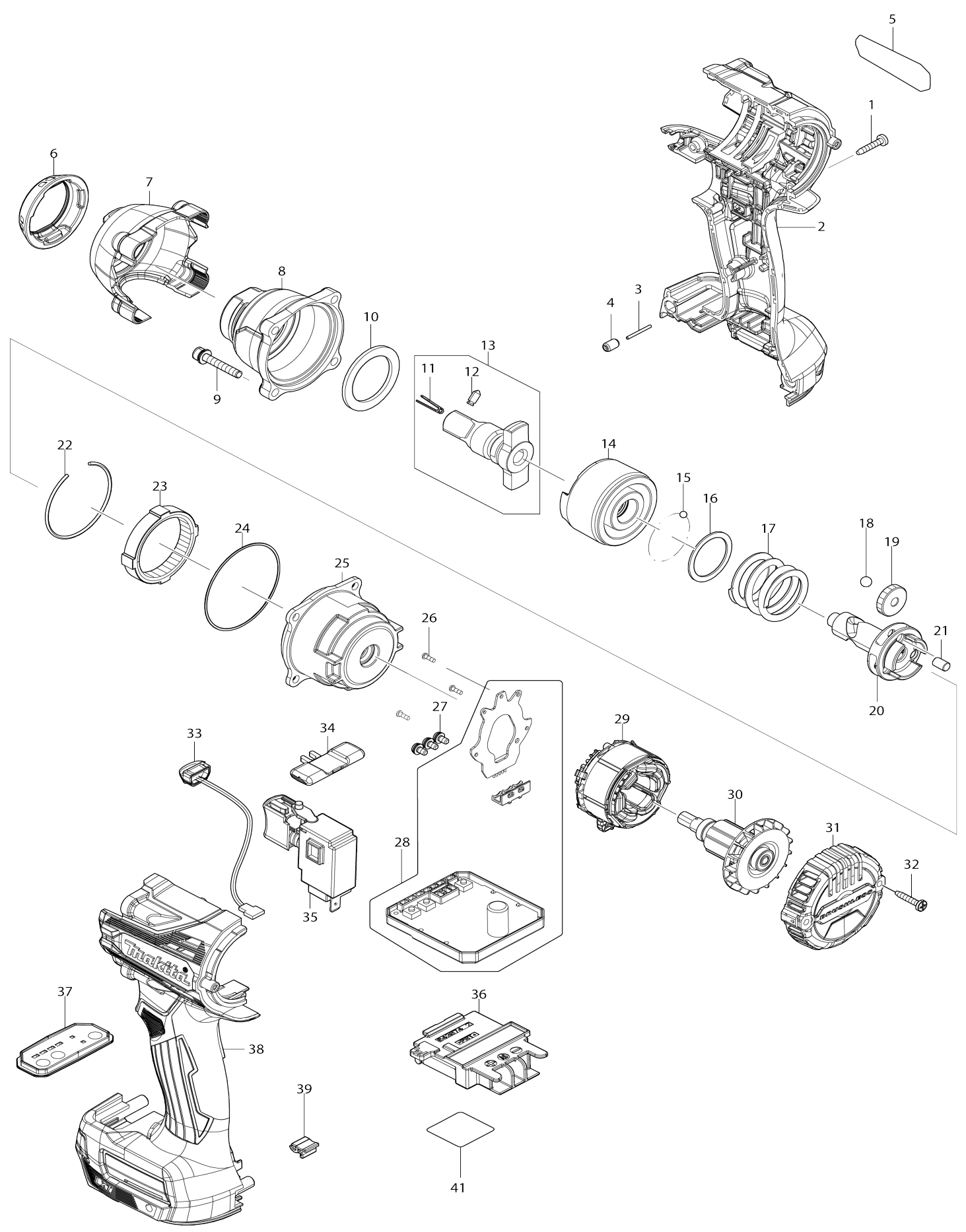


Model No.DTW301 CORDLESS IMPACT WRENCH



Model No.DTW301 CORDLESS IMPACT WRENCH

Item No.	Parts No.	Description	Interchangability	Q'ty	New/Old	Note1	Note2
001	266130-9	TAPPING SCREW BIND PT 3X16		8			
002	183P27-2	HOUSING SET		1			
C10	263005-3	RUBBER PIN 6		2			
C20	252126-6	HEX. LOCK NUT M4-7		2			
D10		INC. 38					
003	268284-8	PIN 1.5		1			
004	263036-2	RUBBER PIN 5		1			
005	857A36-4	DTW301 NAME PLATE		1			
006	422584-2	BUMPER		1			
007	412556-5	HAMMER CASE COVER		1			
008	140T36-8	HAMMER CASE COMPLETE		1	*		
008-1	1410F7-0	HAMMER CASE COMPLETE	O	1			
009	265472-8	HEX. SOCKET HEAD BOLT M4X25		4	*		
009-1	265D40-1	H. S. HEAD BOLT M4X25 WITH WR	O	4			
010	261154-0	NYLON WASHER 28		1			
011	322045-1	CLIP		1			
012	323675-1	PIN 4		1	*		
012-1	327D10-9	PIN4	O	1			
013	136240-5	ANVIL A ASSY		1	*		
D10		INC. 11,12					
013-1	136240-5	ANVIL A ASSY	O	1	*		
D10		INC. 11,12					
013-2	136240-5	ANVIL A ASSY	O	1			
D10		INC. 11,12					
014	327572-3	HAMMER		1			
015	216001-0	STEEL BALL 3.5		24			
016	267175-0	FLAT WASHER 24		1			
017	232615-7	COMPRESSION SPRING 25		1			
018	216011-7	STEEL BALL 5.6		2			
019	227338-0	SPUR GEAR 22		3			
020	327573-1	SPINDLE		1			
021	268311-1	PIN 5		3			
022	233910-8	RING SPRING 43		1			
023	227337-2	INTERNAL GEAR 51		1			
024	213785-1	O-RING 49		1			
025	140T37-6	INTERNAL GEAR CASE COMPLETE		1			
026	266490-9	TAPPING SCREW PT 2X6		3			
027	652069-6	FLAT HEAD SCREW M3X6		3			
028	620C64-2	CONTROLLER		1			
029	629477-6	STATOR		1	*		
029-1	629A98-0	STATOR	O	1			
030	619626-3	ROTOR		1			
031	412555-7	REAR COVER		1			
032	266130-9	TAPPING SCREW BIND PT 3X16		2			
033	620521-2	LED CIRCUIT		1			
034	455053-8	F/R CHANGE LEVER		1			

035	651443-5	SWITCH C3JR-4B		1		
036	643874-2	TERMINAL		1		
037	140T43-1	SWITCH PLATE COMPLETE		1		
C10	8012S9-8	SWITCH LABEL		1		
038	183P27-2	HOUSING SET		1		
C10	263005-3	RUBBER PIN 6		2		
C20	252126-6	HEX. LOCK NUT M4-7		2		
D10		INC. 2				
039	424517-3	CUSHION		1		
041	857A41-1	DTW301 SERIAL NUMBER LABEL		1		
A01	266622-8	+ TRUSS HEAD SCREW M4X12		1		
A02	346317-0	HOOK		1		
F03	191K57-9	TOOL HANGER SET		1		
A03	821550-0	CONNECTOR PLASTIC CASE (TYP E2)		1		
C10	453974-8	LATCH		4		
A04	835L10-8	INNER TRAY		1		
A05	8014B0-9	DTW301RTJ PLASTIC CASE LABEL		2		
A06	8014A9-4	DTW301RTJ INDICATION LABEL		1		
A07	***DC18RC	DC18RC FAST CHARGER		1		
D10		COMPO-PARTS				
A08	450128-8	BATTERY COVER		1		
A09	197280-8	BATTERY BL1850B SET		2		

Please state Parts No. when your order.

Print Date 02/19/2024