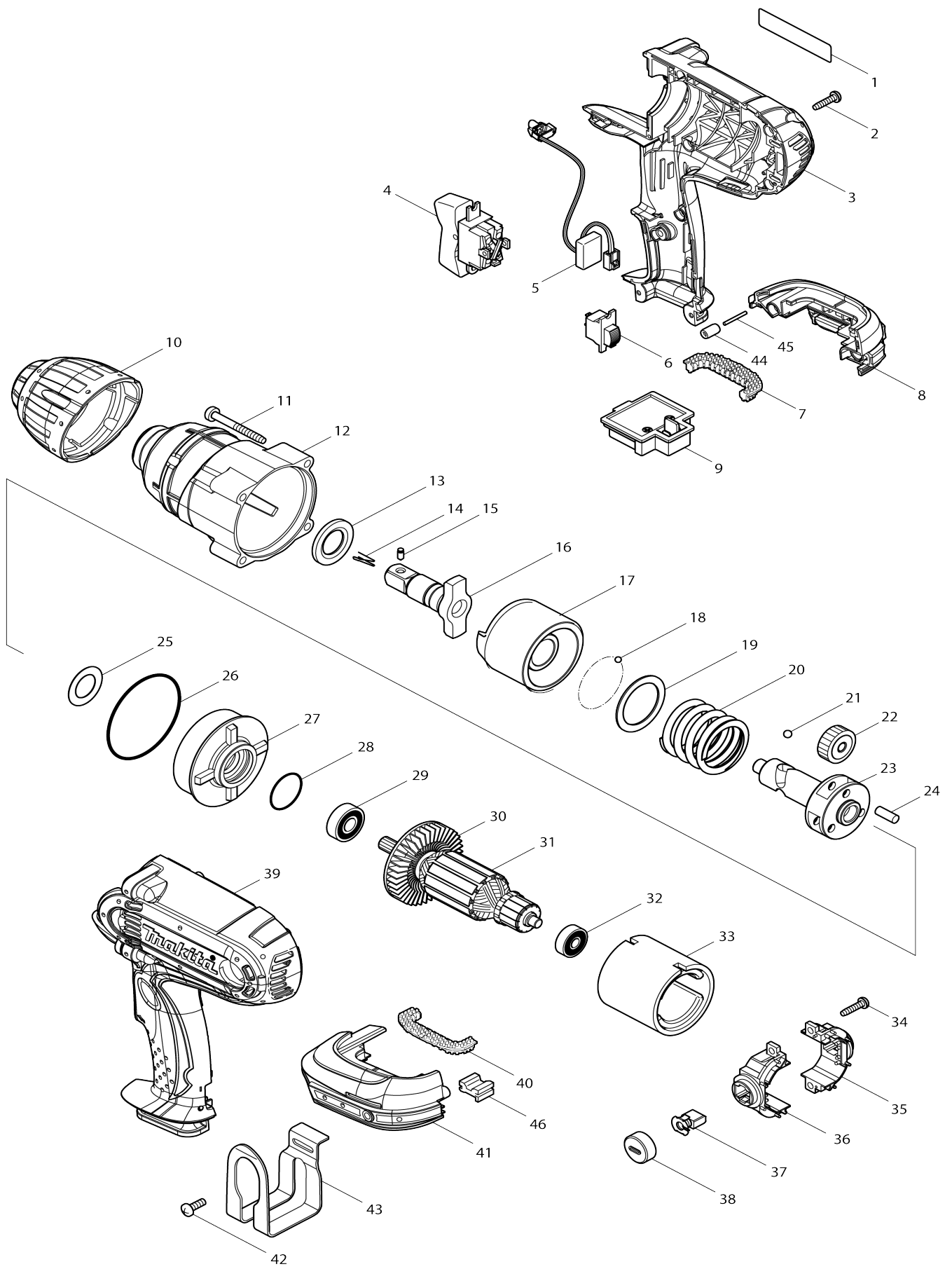


Model No.DTW450 CORDLESS IMPACT WRENCH



Model No.DTW450 CORDLESS IMPACT WRENCH

Item No.	Parts No.	Description	Interchangability	Q'ty	New/Old	Note1	Note2
001	850H18-7	DTW450 NAME PLATE		1	*		
001-1	857K22-5	DTW450 NAME PLATE	S	1			
002	265995-6	TAPPING SCREW 4X18		9			
003	188434-8	HOUSING SET		1			
C10	263025-7	RUBBER PIN 4		4			
D10		INC. 39					
004	651572-4	SWITCH SL220SD-19		1	*		
004-1	651572-4	SWITCH SL220SD-19	O	1			
005	631738-2	LIGHT CIRCUIT		1			
006	638503-0	SWITCH UNIT		1			
007	424042-4	CUSHION RUBBER		1			
008	187873-9	BATTERY HOUSING SET		1			
C10	263005-3	RUBBER PIN 6		2			
D10		INC. 41					
009	643843-3	TERMINAL		1			
010	421971-2	BUMPER		1			
011	266056-5	TAPPING SCREW 5X45		4			
012	158076-2	HAMMER CASE COMPLETE		1			
013	267268-3	FLAT WASHER 19		1			
014	231907-1	RING SPRING 10		1			
016	324406-1	ANVIL		1	*		
016-1	326983-9	ANVIL	<	1			
017	324697-4	HAMMER		1			
018	216008-6	STEEL BALL 4		29			
019	267340-1	FLAT WASHER 32		2			
020	234338-3	COMPRESSION SPRING 33		1			
021	216007-8	STEEL BALL 6.4		2			
022	227171-0	SPUR GEAR 23		3			
023	310185-7	SPINDLE		1			
024	256033-5	PIN 6		3			
025	253794-8	FLAT WASHER 18		1			
026	213722-5	O RING 63		1			
027	227172-8	INTERNAL GEAR 53		1			
028	213407-3	O RING 26		1			
029	210059-1	BALL BEARING 6000DDW		1			
030	241850-6	FAN 60		1			
031	519199-5	ARMATURE ASS'Y 18V		1			
D10		INC. 29,30,32					
032	210025-8	BALL BEARING 627LLB		1			
033	638107-8	YOKE UNIT		1			
034	265995-6	TAPPING SCREW 4X18		2			
035	638870-3	BRUSH HOLDER COMPLETE		1			
C10	688161-2	LINE FILTER		1			
C20	654037-5	INSULATED TERM. FT1.25-M3		2			
037	194435-6	CARBON BRUSH CB-441		1			
038	643941-3	BRUSH HOLDER CAP		2			
039	188434-8	HOUSING SET		1			

C10	263025-7	RUBBER PIN 4		4		
D10		INC. 3				
040	424042-4	CUSHION RUBBER		1		
041	187873-9	BATTERY HOUSING SET		1		
C10	263005-3	RUBBER PIN 6		2		
D10		INC. 8				
042	251314-2	+ SCREW M4X12		1		
043	345736-7	HOOK		1		
044	263036-2	RUBBER PIN 5		1		
045	268184-2	PIN 1.5		1		
046	424026-2	CUSHION		1		
047	857K23-3	DTW450 SERIAL NO. LABEL		1		
A01	***DC18RC	DC18RC FAST CHARGER		1		
A02	194204-5	BATTERY BL1830 SET		2	*	
A02-1	194204-5	BATTERY BL1830 SET	O	2	*	
A02-2	197600-6	BATTERY BL1830B SET	<	2	*	
A02-3	197600-6	BATTERY BL1830B SET	O	2		
A03	450128-8	BATTERY COVER		1		
A04	141644-8	PLASTIC CASE COMPLETE		1		
C10	163467-4	LATCH		2		
A05	804G21-4	DTW450RFE MODEL NO. LABEL		1		
F27	194649-7	BATTERY PROTECTOR		1		
C10	251314-2	+ SCREW M4X12		2		
F28	195870-1	DRILL BIT REMOVER SET		1		
F30-2	196235-0	BATTERY BL1815N SET	O	1		
F31-1	196449-1	BATTERY BL1815N SET	O	1		
F32-2	196449-1	BATTERY BL1815N SET	O	1		
A04	821551-8	CONNECTOR PLASTIC CASE (TYP E3)		1		
C10	453974-8	LATCH		4		
A05	837645-9	INNER TRAY		1		
A06	804G12-5	DTW450RFJ INDICATION LABEL		1		
A07	804G13-3	DTW450RFJ PLASTIC CASE LABEL		2		
A06	804G14-1	DTW450ZJ INDICATION LABEL		1		
A07	804G15-9	DTW450ZJ PLASTIC CASE LABEL		2		
A02	196399-0	BATTERY BL1840 SET		2	*	
A02-1	196399-0	BATTERY BL1840 SET	O	2	*	
A02-2	197265-4	BATTERY BL1840B SET	<	2	*	
A02-3	197265-4	BATTERY BL1840B SET	O	2		
A06	804R89-6	DTW450RMJ INDICATION LABEL		1		
A07	804R90-1	DTW450RMJ PLASTIC CASE LABEL		2		
A02-2	197280-8	BATTERY BL1850B SET		2	*	
A02-3	197280-8	BATTERY BL1850B SET	O	2		
A06	809B05-7	DTW450RTJ INDICATION LABEL		1		
A07	809B06-5	DTW450RTJ PLASTIC CASE LABEL		2		

Please state Parts No. when your order.

Print Date 01/29/2024