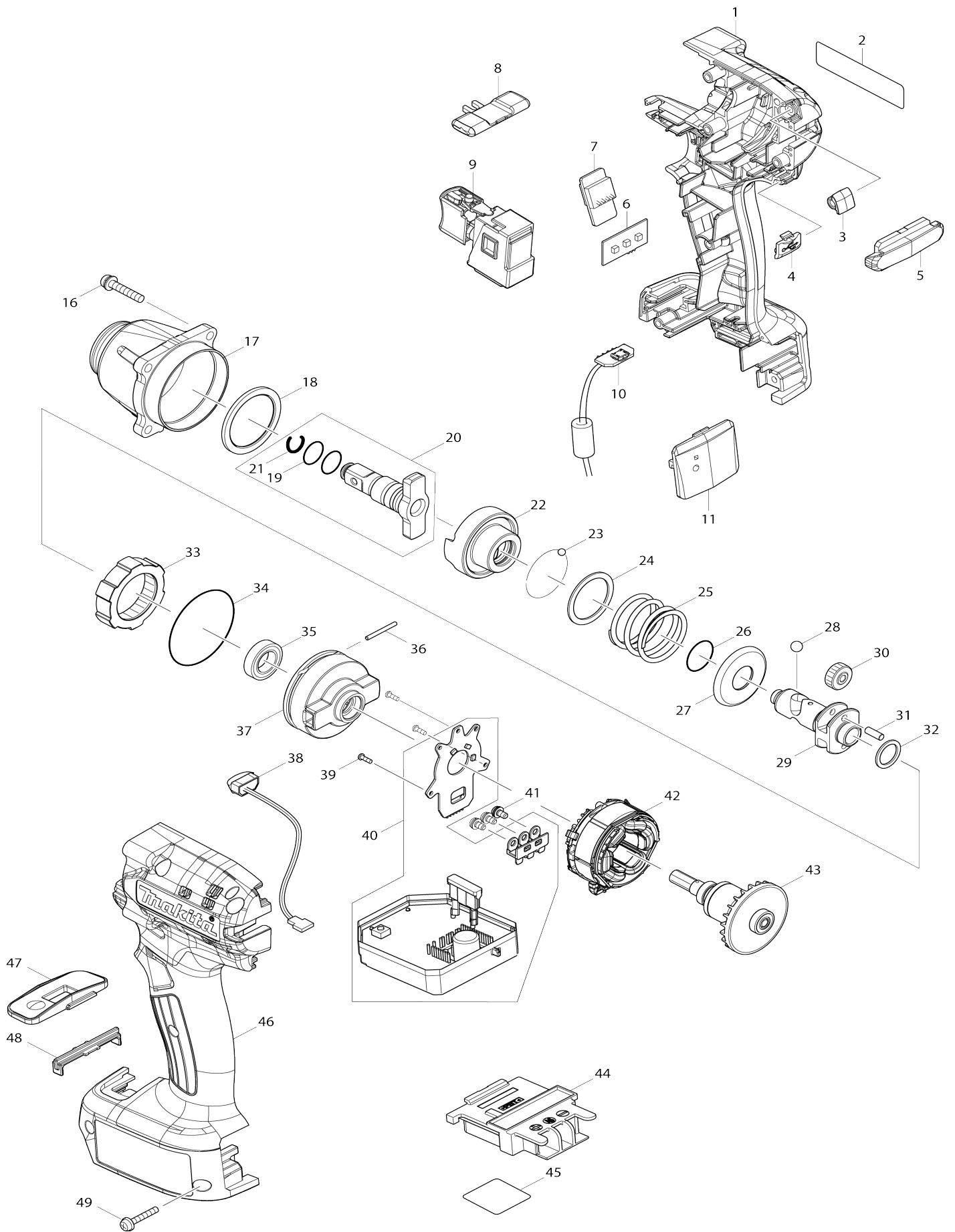


Model No.DTWA070 CORDLESS IMPACT WRENCH



Model No.DTWA070 CORDLESS IMPACT WRENCH

Item No.	Parts No.	Description	Interchangability	Q'ty	New/Old	Note1	Note2
001	183M41-0	HOUSING SET		1	*		
C10	263005-3	RUBBER PIN 6		2	*		
C20	931002-4	HEX. NUT M3		7	*		
D10		INC. 46					
001-1	183P02-8	HOUSING SET	<	1	*		
C10	263005-3	RUBBER PIN 6		2	*		
C20	931002-4	HEX. NUT M3		7	*		
D10		INC. 46					
001-2	183M41-0	HOUSING SET	<	1			
C10	263005-3	RUBBER PIN 6		2			
C20	931002-4	HEX. NUT M3		7			
D10		INC. 46					
002	855U74-0	DTWA070 NAME PLATE		1			
003	459415-2	ID COVER WHITE		1			
004	144709-5	USB COVER COMPLETE		1			
005	457484-7	LENS		1			
006	620A98-3	LED CIRCUIT		1			
007	620A97-5	BUZZER CIRCUIT		1			
008	455053-8	F/R CHANGE LEVER		1			
009	140L08-5	SWITCH COMPLETE		1			
C10	422465-0	SWITCH COVER		1			
010	620A99-1	USB CIRCUIT		1			
011	459402-1	COVER		1			
016	265145-3	+ PAN HEAD SCREW M4X22		4			
017	140L07-7	HAMMER CASE C COMPLETE		1			
C10	210177-5	BALL BEARING 68/14LLU		2			
C20	213380-7	O RING 24		2			
C30	267063-1	FLAT WASHER 18		1			
C40	962113-4	RETAINING RING R-24		1			
018	261160-5	NYLON WASHER 30		1			
019	213118-0	O RING 12		2			
020	136118-2	ANVIL E 9.5 ASSY		1			
D10		INC. 19,21					
021	231964-9	RING SPRING 7		1			
022	327343-8	HAMMER B		1			
023	216001-0	STEEL BALL 3.5		24			
024	267175-0	FLAT WASHER 24		1			
025	232524-0	COMPRESSION SPRING 25 A		1			
026	213541-9	O-RING 14		1			
027	267851-6	CUP WASHER 14		1			
028	216011-7	STEEL BALL 5.6		2			
029	327354-3	SPINDLE A		1			
030	226896-3	SPUR GEAR 16		2			
031	256173-9	PIN 3.5		2			
032	267104-3	FLAT WASHER 12		1			
033	226895-5	INTERNAL GEAR 39		1			
034	213561-3	O RING 42		1			

035	211136-2	BALL BEARING 6801LLB		1		
036	256555-5	PIN 2		2		
037	459400-5	INTERNAL GEAR CASE		1		
038	620521-2	LED CIRCUIT		1		
039	266490-9	TAPPING SCREW PT 2X6		3		
040	620A32-3	CONTROLLER		1	*	
040-1	620P73-9	CONTROLLER	<	1		
041	652069-6	FLAT HEAD SCREW M3X6		3		
042	629417-4	STATOR		1		
043	619572-0	ROTOR		1		
044	643850-6	TERMINAL		1		
045	855U79-0	DTWA070 SERIAL NO. LABEL		1		
046	183M41-0	HOUSING SET		1	*	
C10	263005-3	RUBBER PIN 6		2	*	
C20	931002-4	HEX. NUT M3		7	*	
D10		INC. 1				
046-1	183P02-8	HOUSING SET	<	1	*	
C10	263005-3	RUBBER PIN 6		2	*	
C20	931002-4	HEX. NUT M3		7	*	
D10		INC. 1				
046-2	183M41-0	HOUSING SET	<	1		
C10	263005-3	RUBBER PIN 6		2		
C20	931002-4	HEX. NUT M3		7		
D10		INC. 1				
047	140L10-8	SWITCH PLATE WHITE COMPLETE		1		
C10	819J53-6	INDICATION LABEL WHITE		1		
048	459424-1	STOPPER		1		
049	251581-9	PAN HEAD SCREW M3X20		7		
F10	197709-4	BATTERY BL1460B SET		1		
F11	197710-9	BATTERY BL1460B SET		1		

Please state Parts No. when your order.

Print Date 02/16/2024