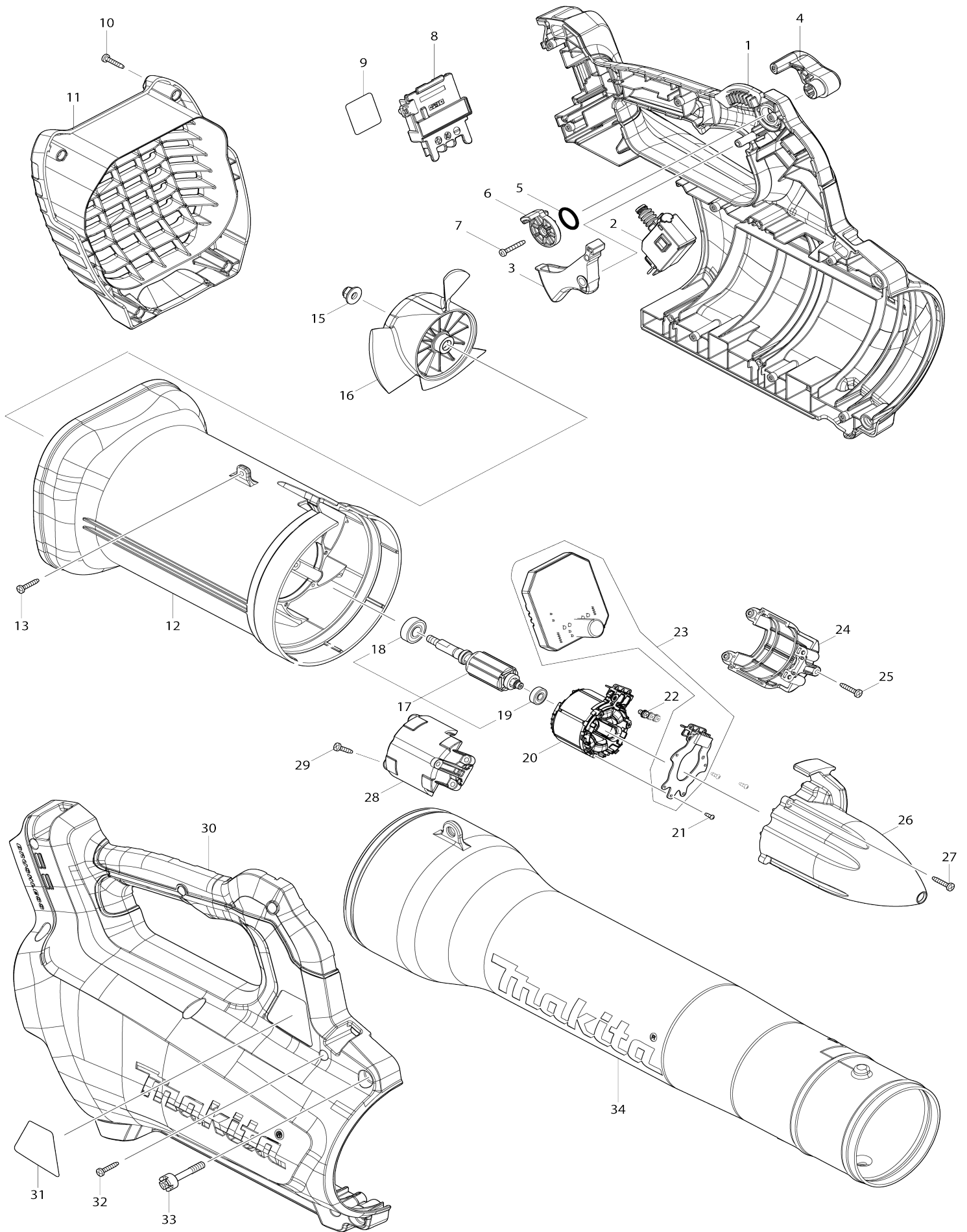


Model No.DUB184 CORDLESS BLOWER



Model No.DUB184 CORDLESS BLOWER

Item No.	Parts No.	Description	Interchangability	Q'ty	New/Old	Note1	Note2
001	183M74-5	HOUSING SET		1	*		
C10	263005-3	RUBBER PIN 6		2	*		
C20	806D81-4	CAUTION LABEL		1	*		
D10		INC. 30					
001-1	183N88-0	HOUSING SET	<	1			
C10	263005-3	RUBBER PIN 6		2			
C20	806D81-4	CAUTION LABEL		1	*		
C21	8011Y4-4	CAUTION LABEL	O	1			
D10		INC. 30					
002	651395-0	SWITCH C3JW-6B-PA6N		1			
003	459696-8	SWITCH LEVER		1			
004	459697-6	CONTROL LEVER		1			
005	213154-6	O RING 14		1			
006	459698-4	LINK		1			
007	266127-8	+ TAPPING SCREW PT 3X20		1			
008	643874-2	TERMINAL		1			
009	856D78-3	DUB184 SERIAL NO. LABEL		1			
010	266130-9	TAPPING SCREW BIND PT 3X16		4			
011	459699-2	REAR COVER		1			
012	459695-0	FAN HOUSING		1			
013	266130-9	TAPPING SCREW BIND PT 3X16		3			
015	252286-4	COLLARED HEX.LOCK NUT M5-8		1			
016	240177-1	FAN 110		1			
017	519580-0	ROTOR ASS'Y		1			
D10		INC. 18,19					
018	210040-2	BALL BEARING 698LLU		1			
019	211157-4	BALL BEARING 695ZZ		1			
020	629292-8	STATOR		1			
021	266490-9	TAPPING SCREW PT 2X6		3	*		
021-1	265C47-1	TAPPING SCREW PT 2X6	O	3			
022	652069-6	FLAT HEAD SCREW M3X6		3			
023	620B77-7	CONTROLLER		1	*		
023-1	620B77-7	CONTROLLER	O	1			
024	183M64-8	MOTOR HOUSING SET		1			
D10		INC. 28					
025	266130-9	TAPPING SCREW BIND PT 3X16		2			
026	459700-3	CAP		1			
027	266130-9	TAPPING SCREW BIND PT 3X16		3			
028	183M64-8	MOTOR HOUSING SET		1			
D10		INC. 24					
029	266130-9	TAPPING SCREW BIND PT 3X16		4			
030	183M74-5	HOUSING SET		1	*		
C10	263005-3	RUBBER PIN 6		2	*		
C20	806D81-4	CAUTION LABEL		1	*		
D10		INC. 1					
030-1	183N88-0	HOUSING SET	<	1			
C10	263005-3	RUBBER PIN 6		2			

C20	806D81-4	CAUTION LABEL		1	*		
C21	8011Y4-4	CAUTION LABEL	O	1			
D10		INC. 1					
031	856D71-7	DUB184 NAME PLATE		1			
032	266130-9	TAPPING SCREW BIND PT 3X16		9			
033	251570-4	HEX.SOCKET HEAD BOLT M5X30		2			
034	459701-1	FRONT NOZZLE		1	*		
034-1	183P96-3	FRONT NOZZLE SET	O	1			
A01	783202-0	HEX. WRENCH 4		1			
A02	166094-6	SHOULDER BELT		1			
A03	456957-7	EXTENSION NOZZLE		1	*		
A03-1	183P97-1	EXTENSION NOZZLE SET	O	1			
A04	456958-5	FLAT NOZZLE		1	*		
A04-1	183P98-9	FLAT NOZZLE SET	O	1			
A05	191B21-6	ADAPTER PIPE 80-72 SET		1	*		
A05-1	191L13-5	ADAPTER PIPE 80-72 SET	<	1			
E01	807811-2	SOUND 96DB LABEL		1			
F03	197888-8	EXTENSION NOZZLE SET		1			
F04	197889-6	FLAT NOZZLE SET		1			
F06	191B03-8	GUTTER NOZZLE SET		1			
C10	459816-4	EXTENSION PIPE 72		3			
C20	162790-4	END NOZZLE COMPLETE		1			
C30	281030-2	HOSE CLAMP 75-90		2			
C40	281031-0	HOSE CLAMP 85-100		1			
A07	***DC18RC	DC18RC FAST CHARGER		1			
D10		COMPO-PARTS					
A08	197280-8	BATTERY BL1850B SET		1			

Please state Parts No. when your order.

Print Date 17/10/2023