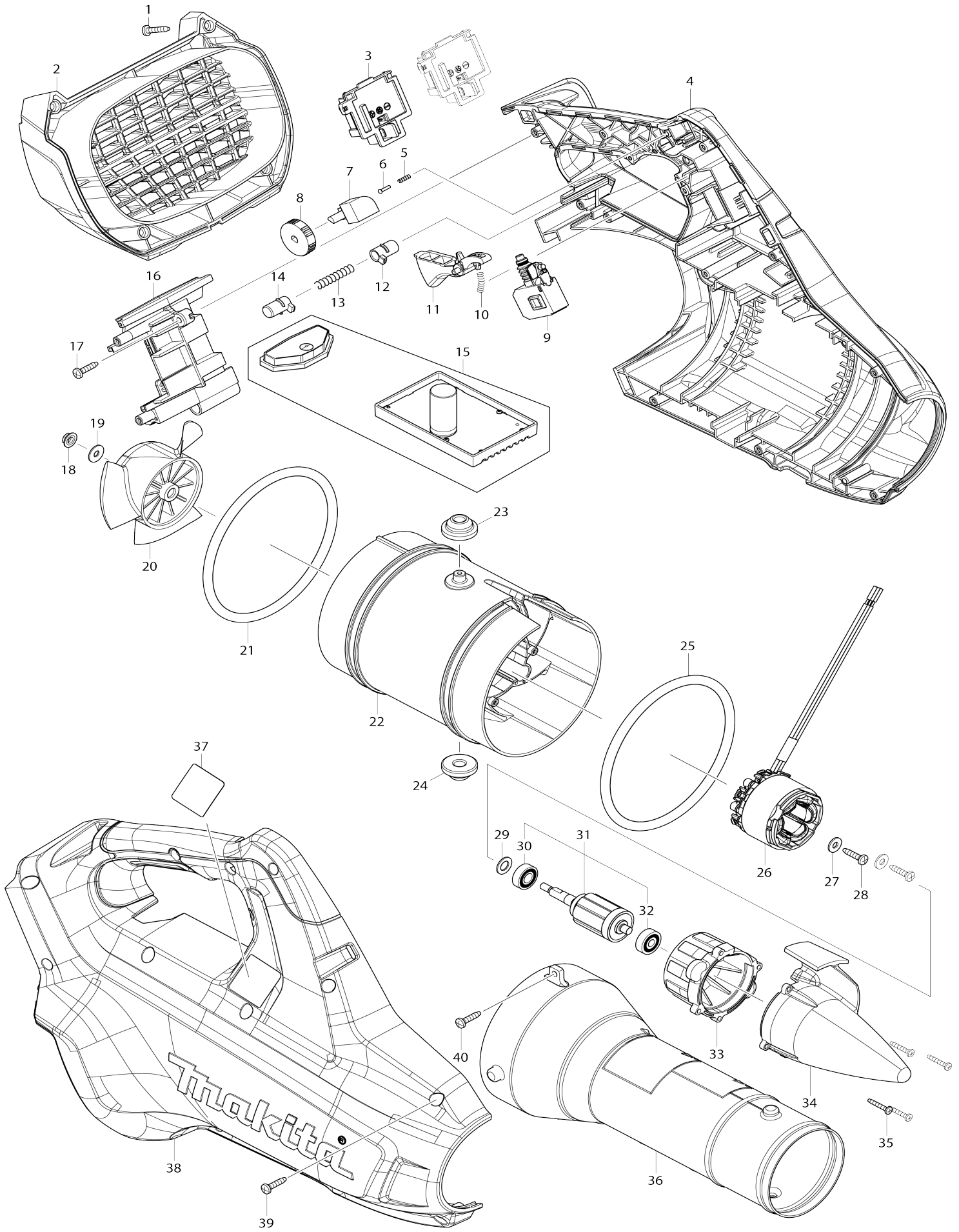


# Model No.DUB362 CORDLESS BLOWER



Model No.DUB362 CORDLESS BLOWER

Item No.	Parts No.	Description	Interchangability	Q'ty	New/Old	Note1	Note2
001	266326-2	TAPPING SCREW 4X18		4			
002	455912-6	REAR COVER		1			
003	644808-8	TERMINAL		2			
004	183A81-6	HOUSING SET		1			
C10	263005-3	RUBBER PIN 6		2			
C20	806D81-4	CAUTION LABEL		1	*		
C21	8011Y4-4	CAUTION LABEL	O	1			
D10		INC. 38					
005	233002-3	COMPRESSION SPRING 3		1			
006	255058-6	RIVET 2		1			
007	620415-1	SUB CONTROLLER		1			
008	271427-3	DIAL 28		1			
009	650709-0	SWITCH C3JW-1A-P		1			
010	233101-1	COMPRESSION SPRING 4		1			
011	455913-4	SWITCH LEVER		1	*		
011-1	458864-0	SWITCH LEVER	<	1			
012	418881-2	LOCK ON BUTTON		1			
013	233092-6	COMPRESSION SPRING 5		1			
014	418881-2	LOCK ON BUTTON		1			
015	143166-4	CONTROLLER COMPLETE		1	*		
015-1	141N60-8	CONTROLLER COMPLETE	S	1			
016	143146-0	CENTER CASE COMPLETE		1			
C10	263005-3	RUBBER PIN 6		2			
017	266326-2	TAPPING SCREW 4X18		2			
018	264111-7	CORNED DISK SPRING HEX.NUT M5		1	*		
018-1	252103-8	HEX. LOCK NUT M5-8	<	1	*		
018-2	252286-4	COLLARED HEX.LOCK NUT M5-8	S	1			
019	253194-2	FLAT WASHER 5		1	*		
020	240158-5	FAN 110		1	*		
020-1	240177-1	FAN 110	<	1			
021	424721-4	RUBBER RING 115		1			
022	455907-9	MOTOR HOUSING		1	*		
022-1	455907-9	MOTOR HOUSING	O	1			
023	424194-1	RUBBER RING 8		1			
024	424194-1	RUBBER RING 8		1	*		
025	424721-4	RUBBER RING 115		1			
026	629153-2	STATOR DC36V		1	*		
026-1	629B73-2	STATOR	S	1			
027	253184-5	FLAT WASHER 5		2	*		
028	266326-2	TAPPING SCREW 4X18		2	*		
028-1	265620-9	TAPPING SCREW FLANGE 4X18	S	2			
029	253835-0	FLAT WASHER 8		1	*		
030	210040-2	BALL BEARING 698LLU		1			
031	519366-2	ROTOR ASS'Y		1	*		
D10		INC. 30,32					
031-1	519444-8	ROTOR ASS'Y	O	1	*		
D10		INC. 30,32					

031-2	519444-8	ROTOR ASSY	O	1		
D10		INC. 30,32				
032	210022-4	BALL BEARING 626DDW		1		
033	455908-7	MOTOR HOUSING COVER		1		
034	455909-5	CAP		1	*	
034-1	455909-5	CAP	O	1		
035	265935-4	TAPPING SCREW 3X20		4		
036	455914-2	FRONT NOZZLE		1		
037	850U44-4	DUB362 NAME PLATE		1		
038	183A81-6	HOUSING SET		1		
C10	263005-3	RUBBER PIN 6		2		
C20	806D81-4	CAUTION LABEL		1	*	
C21	8011Y4-4	CAUTION LABEL	O	1		
D10		INC. 4				
039	266326-2	TAPPING SCREW 4X18		12		
040	266326-2	TAPPING SCREW 4X18		2	*	
040-1	266300-0	TAPPING SCREW 4X18	<	2	*	
040-2	265678-8	TAPPING SCREW 4X18	O	2		
041	620K96-7	CONTROLLER B	S	1		
042	652119-7	PAN HEAD SCREW M2X6	S	6		
A02	455915-0	LONG NOZZLE		1	*	
A02-1	455915-0	LONG NOZZLE	O	1	*	
A02-2	183R02-0	LONG NOZZLE SET	O	1		
A06	456957-7	EXTENSION NOZZLE		1	*	
A06-1	183P97-1	EXTENSION NOZZLE SET	O	1		
A07	456958-5	FLAT NOZZLE		1	*	
A07-1	183P98-9	FLAT NOZZLE SET	O	1		
E01	807811-2	SOUND 96DB LABEL		1		
F02-2	197267-0	BATTERY BL1840B SET	O	1		
F03-2	197267-0	BATTERY BL1840B SET	O	1		
F04-2	197265-4	BATTERY BL1840B SET	O	1		
F05-2	197265-4	BATTERY BL1840B SET	O	1		
F07-2	197273-5	BATTERY BL1840B SET(2PIECES)	O	1		
F10	197888-8	EXTENSION NOZZLE SET		1		
F11	197889-6	FLAT NOZZLE SET		1		
F16	191B03-8	GUTTER NOZZLE SET		1		
C10	459816-4	EXTENSION PIPE 72		3		
C20	162790-4	END NOZZLE COMPLETE		1		
C30	281030-2	HOSE CLAMP 75-90		2		
C40	281031-0	HOSE CLAMP 85-100		1		
F17	191J13-3	ADAPTER PIPE 71 SET		1		
F18	197254-9	BATTERY BL1820B SET		1		
F19-1	197599-5	BATTERY BL1830B SET	O	1		
A01	166094-6	SHOULDER BELT		1		
A03	450128-8	BATTERY COVER		2		
A04	***DC18RD	DC18RD TWO PORT FAST CHARGER		1		
A05-1	197422-4	BATTERY BL1860B SET		2	*	
A05-2	197422-4	BATTERY BL1860B SET	O	2		

Please state Parts No. when your order.

Print Date 17/10/2023