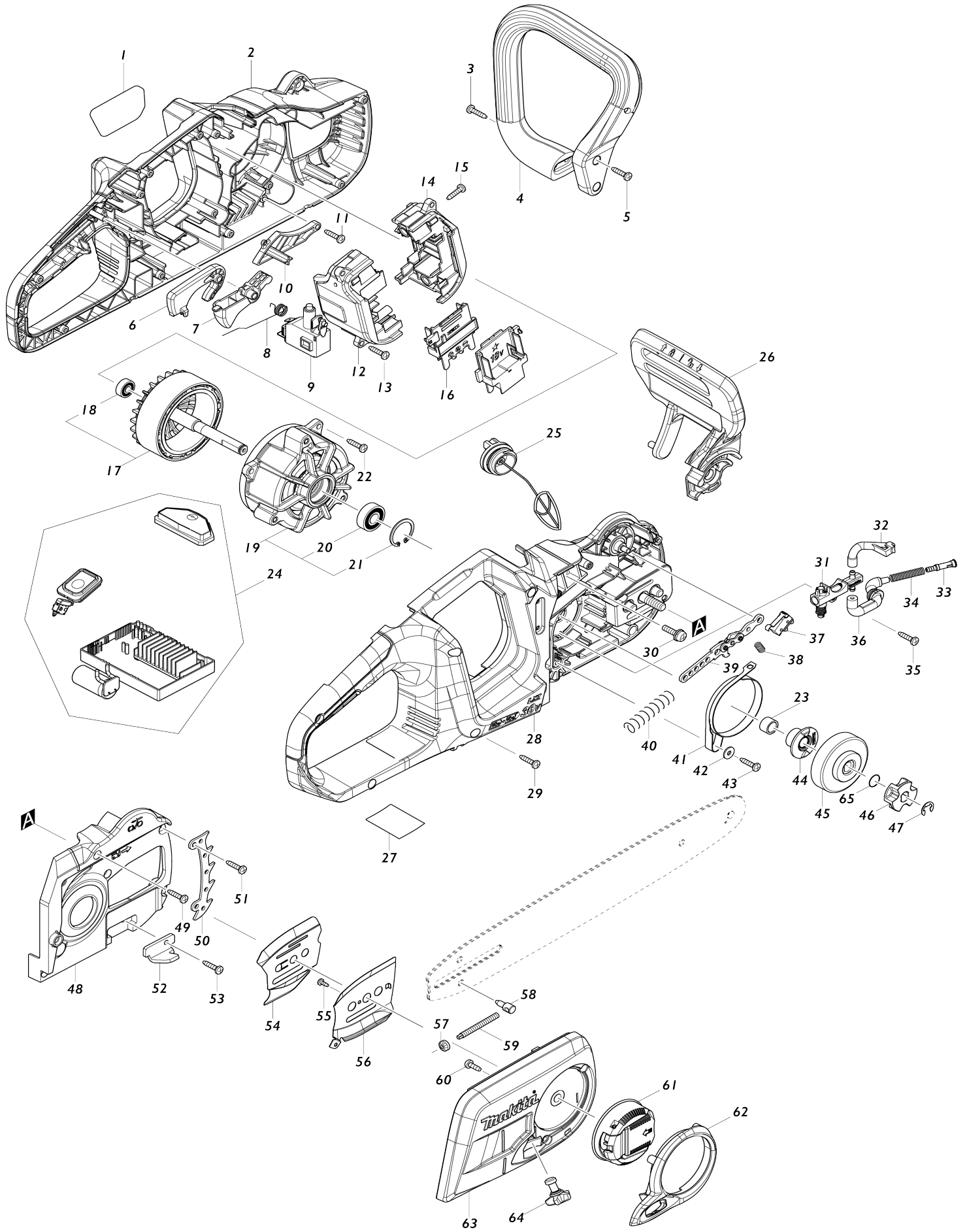


Model No. DUC303 300MM CORDLESS CHAIN SAW



Model No.DUC303 300MM CORDLESS CHAIN SAW

| Item No. | Parts No. | Description | Interc hang eabilit y | Q'ty | New/ Old | Note1 | Note2 |
|----------|-----------|------------------------|-----------------------|------|----------|-------|-------|
| 001 | 810R16-3 | DUC303 MODEL NO. LABEL | | 1 | | | |
| 002 | 183F61-2 | HOUSING SET | | 1 | * | | |
| C10 | 812D15-7 | CAUTION LABEL | | 1 | * | | |
| D10 | | INC. 28 | | | | | |
| 002-1 | 183F61-2 | HOUSING SET | O | 1 | | | |
| C10 | 812D15-7 | CAUTION LABEL | | 1 | | | |
| D10 | | INC. 28 | | | | | |
| 003 | 266326-2 | TAPPING SCREW 4X18 | | 2 | | | |
| 004 | 457007-1 | FRONT HANDLE | | 1 | | | |
| 005 | 266326-2 | TAPPING SCREW 4X18 | | 2 | | | |
| 006 | 457013-6 | CATCH LEVER | | 1 | | | |
| 007 | 457006-3 | SWITCH LEVER | | 1 | | | |
| 008 | 232318-3 | TORSION SPRING 10 | | 1 | | | |
| 009 | 650781-2 | SWITCH C3JW-6B-P | | 1 | | | |
| 010 | 457010-2 | HOUSING L COVER | | 1 | | | |
| 011 | 266326-2 | TAPPING SCREW 4X18 | | 1 | | | |
| 012 | 183F15-9 | TERMINAL BOX SET | | 1 | | | |
| C10 | 263005-3 | RUBBER PIN 6 | | 4 | | | |
| D10 | | INC. 14 | | | | | |
| 013 | 266326-2 | TAPPING SCREW 4X18 | | 4 | | | |
| 014 | 183F15-9 | TERMINAL BOX SET | | 1 | | | |
| C10 | 263005-3 | RUBBER PIN 6 | | 4 | | | |
| D10 | | INC. 12 | | | | | |
| 015 | 266326-2 | TAPPING SCREW 4X18 | | 2 | | | |
| 016 | 643874-2 | TERMINAL | | 2 | | | |
| 017 | 519411-3 | ROTOR ASS'Y | | 1 | | | |
| D10 | | INC. 18 | | | | | |
| 018 | 210028-2 | BALL BEARING 606ZZ | | 1 | | | |
| 019 | 592H45-5 | STATOR ASS'Y | | 1 | * | | |
| D10 | | INC. 20,21 | | | | | |
| 019-1 | 590094-8 | STATOR ASSY | O | 1 | | | |
| D10 | | INC. 20,21 | | | | | |
| 020 | 210059-1 | BALL BEARING 6000DDW | | 1 | * | | |
| 020-1 | 210274-7 | BALL BEARING 6000DDW | O | 1 | | | |
| 021 | 962105-3 | RETAINING RING R-26 | | 1 | | | |
| 022 | 266326-2 | TAPPING SCREW 4X18 | | 3 | | | |
| 023 | 257402-3 | SLEEVE 10 | | 1 | | | |
| 024 | 144254-0 | CONTROLLER COMPLETE | | 1 | * | | |
| 024-1 | 141G22-4 | CONTROLLER COMPLETE | < | 1 | | | |
| 025 | 168399-0 | TANKCAP COMPLETE | | 1 | * | | |
| 025-1 | 168508-1 | TANK CAP COMPLETE | O | 1 | * | | |
| C10 | 213355-6 | O-RING 25 | | 1 | * | | |
| 025-2 | 162A04-7 | TANK CAP COMPLETE | O | 1 | | | |
| C11 | 213A11-4 | O-RING 25 | O | 1 | | | |
| 026 | 457022-5 | FRONT HAND GUARD | | 1 | * | | |
| 026-1 | 458418-3 | FRONT HAND GUARD | < | 1 | | | |
| 027 | 852V49-6 | DUC303 NAME PLATE | | 1 | | | |

| | | | | | | | |
|-------|----------|---------------------------|---|---|---|--|--|
| 028 | 183F61-2 | HOUSING SET | | 1 | * | | |
| C10 | 812D15-7 | CAUTION LABEL | | 1 | * | | |
| D10 | | INC. 2 | | | | | |
| 028-1 | 183F61-2 | HOUSING SET | O | 1 | | | |
| C10 | 812D15-7 | CAUTION LABEL | | 1 | | | |
| D10 | | INC. 2 | | | | | |
| 029 | 266326-2 | TAPPING SCREW 4X18 | | 8 | | | |
| 030 | 911233-1 | PAN HEAD SCREW M5X20 | | 3 | | | |
| 031 | 142156-4 | OIL PUMP COMPLETE | | 1 | * | | |
| 031-1 | 142156-4 | OIL PUMP COMPLETE | O | 1 | | | |
| 032 | 424904-6 | CONNECTOR B | | 1 | | | |
| 033 | 452666-6 | NIPPLE | | 1 | * | | |
| 033-1 | 452666-6 | NIPPLE | O | 1 | | | |
| 034 | 234207-8 | COMPRESSION SPRING 6 | | 1 | * | | |
| 034-1 | 231975-4 | SPRING | O | 1 | | | |
| 035 | 266326-2 | TAPPING SCREW 4X18 | | 1 | | | |
| 036 | 424903-8 | CONNECTOR A | | 1 | | | |
| 037 | 632H47-0 | SWITCH UNIT | | 1 | * | | |
| 037-1 | 632H47-0 | SWITCH UNIT | S | 1 | | | |
| 038 | 231298-0 | COMPRESSION SPRING 6 | | 1 | | | |
| 039 | 163448-8 | LINKPLATE COMPLETE | | 1 | | | |
| 040 | 232319-1 | COMPRESSION SPRING 9 | | 1 | | | |
| 041 | 345454-7 | BRAKE BAND | | 1 | | | |
| 042 | 267195-4 | FLAT WASHER 4 | | 1 | * | | |
| 043 | 266326-2 | TAPPING SCREW 4X18 | | 1 | * | | |
| 043-1 | 265620-9 | TAPPING SCREW FLANGE 4X18 | S | 1 | | | |
| 044 | 221427-3 | WORM GEAR | | 1 | | | |
| 045 | 161526-8 | BRAKE DRUM COMPLETE | | 1 | * | | |
| 045-1 | 161891-5 | BRAKE DRUM COMPLETE | O | 1 | * | | |
| 045-2 | 313422-8 | BRAKE DRUM | O | 1 | | | |
| 046 | 221464-7 | SPROCKET 6 | | 1 | | | |
| 047 | 961013-5 | STOP RING E-7 | | 1 | | | |
| 048 | 457004-7 | HOUSING R COVER | | 1 | | | |
| 049 | 266326-2 | TAPPING SCREW 4X18 | | 4 | | | |
| 050 | 347078-5 | SPIKE BUMPER | | 1 | | | |
| 051 | 266326-2 | TAPPING SCREW 4X18 | | 2 | | | |
| 052 | 347079-3 | CHAIN CATCHER | | 1 | | | |
| 053 | 266326-2 | TAPPING SCREW 4X18 | | 1 | | | |
| 054 | 346694-0 | GUIDE PLATE ES | | 1 | | | |
| 055 | 266166-8 | TAPPING SCREW CT 3X8 | | 1 | | | |
| 056 | 346699-0 | GUIDE PLATE CS | | 1 | | | |
| 057 | 227496-2 | STRAIGHT BEVEL GEAR 14 | | 1 | | | |
| 058 | 326310-0 | ADJUST PIN | | 1 | | | |
| 059 | 326312-6 | ADJUST SCREW | | 1 | | | |
| 060 | 266427-6 | TAPPING SCREW 4X12 | | 3 | | | |
| 061 | 142235-8 | NUT COMPLETE | | 1 | | | |
| 062 | 454519-5 | NUT COVER | | 1 | | | |
| 063 | 457000-5 | SPROCKET COVER | | 1 | | | |
| 064 | 142288-7 | WHEEL COMPLETE | | 1 | | | |
| C10 | 213011-8 | O RING 7 | | 1 | | | |
| 065 | 213060-5 | O RING 10 | | 1 | | | |
| A02 | 165245-8 | GUIDE BAR 12 | | 1 | * | | |

| | | | | | | | |
|-------|-----------|-------------------------------|---|---|---|--|--|
| A02-1 | 165245-8 | GUIDE BAR 12 | O | 1 | | | |
| A03 | 419288-5 | CHAIN COVER | | 1 | | | |
| A04 | 196740-7 | SAW CHAIN SET | | 1 | * | | |
| A04-1 | 191H01-8 | SAW CHAIN 12 SET | O | 1 | | | |
| B01 | 191P53-7 | SPROCKET COVER SET | | 1 | | | |
| D10 | | INC. 55-64 | | | | | |
| F09-1 | 198457-8 | CHAIN EDGER SET | O | 1 | * | | |
| F09-2 | D-70948 | FILE HOLDER SET 4.0MM(5/32") | O | 1 | | | |
| F11 | 195093-1 | CHAIN OIL SET | | 1 | | | |
| F13 | 195923-6 | ROUND FILE 4.5 SET | | 1 | * | | |
| F13-1 | D-70954 | FILE HOLDER SET 4.5MM(11/64") | O | 1 | | | |
| F14 | 196206-7 | SAW CHAIN SET | | 1 | | | |
| F23 | 196740-7 | SAW CHAIN SET | | 1 | * | | |
| F23-1 | 191H01-8 | SAW CHAIN 12 SET | O | 1 | | | |
| A05 | ***DC18RD | DC18RD TWO PORT FAST CHARGER | | 1 | | | |
| A06 | 197280-8 | BATTERY BL1850B SET | | 2 | * | | |
| A06-1 | 197280-8 | BATTERY BL1850B SET | O | 2 | | | |

Please state Parts No. when your order.

Print Date 01/11/2024