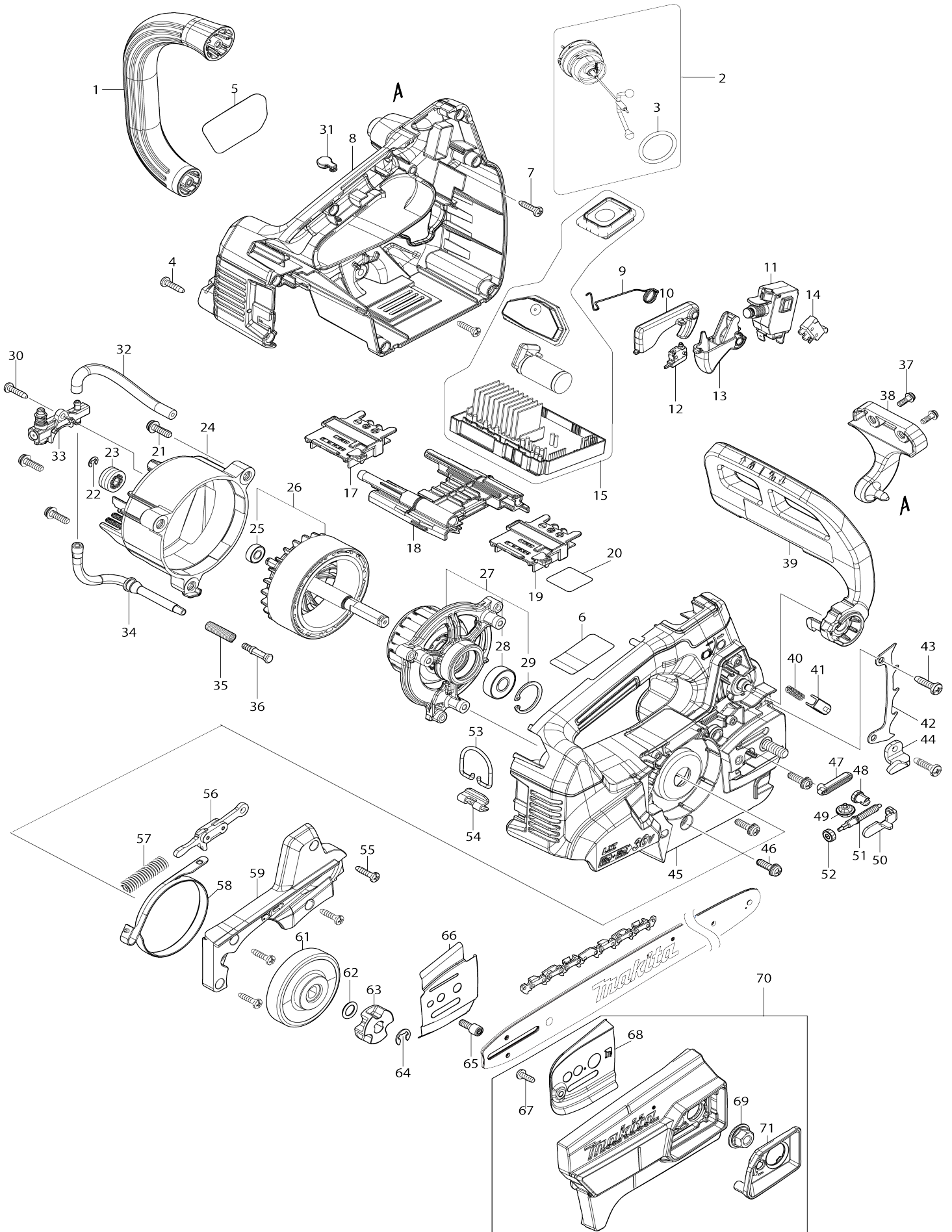


Model No.DUC306 300MM CORDLESS CHAIN SAW



Model No.DUC306 300MM CORDLESS CHAIN SAW

Item No.	Parts No.	Description	Interchangability	Q'ty	New/Old	Note1	Note2
001	459275-2	FRONT HANDLE		1			
002	126832-8	TANK CAP ASSEMBLY		1			
D10		INC. 3					
003	213355-6	O-RING 25		1	*		
003-1	213894-6	O-RING 25	O	1	*		
003-2	213A11-4	O-RING 25	O	1			
004	266326-2	TAPPING SCREW 4X18		9			
005	819S63-7	DUC306 MODEL NO. LABEL		1			
006	856A24-8	DUC306 NAME PLATE		1	*		
006-1	856A24-8	DUC306 NAME PLATE	O	1			
007	266326-2	TAPPING SCREW 4X18		2			
008	183N15-7	HOUSING SET		1			
C10	263005-3	RUBBER PIN 6		2			
C20	424170-5	VALVE		1			
C30	454724-4	SINTER INSERT		1			
D10		INC. 45					
009	232509-6	TORSION SPRING 10		1			
010	459268-9	CATCH LEVER		1			
011	651365-9	SWITCH C3JW-6BM-P		1			
012	632L49-0	SWITCH UNIT		1			
013	459267-1	SWITCH LEVER		1			
014	632L48-2	SWITCH UNIT		1			
015	140K82-7	CONTROLLER COMPLETE		1	*		
C10	819R38-0	INDICATION LABEL		1	*		
C20	819S81-5	SWITCH LABEL		1	*		
015-1	141J62-0	CONTROLLER COMPLETE	<	1			
C10	819R38-0	INDICATION LABEL		1			
C20	819S81-5	SWITCH LABEL		1			
017	643874-2	TERMINAL		1			
018	140K81-9	CENTER CASE COMPLETE		1	*		
C10	263005-3	RUBBER PIN 6		2	*		
018-1	140V36-0	CENTER CASE COMPLETE	<	1			
C10	263005-3	RUBBER PIN 6		2			
019	643874-2	TERMINAL		1			
020	856A29-8	DUC306 SERIAL NO. LABEL		1			
021	911228-4	PAN HEAD SCREW M5X18		3			
022	961011-9	STOP RING E-4		1			
023	226884-0	WORM GEAR		1			
024	459276-0	MOTOR HOUSING		1			
025	210026-6	BALL BEARING 696ZZ		1			
026	519576-1	ROTOR ASS'Y		1			
D10		INC. 25					
027	529420-4	STATOR ASS'Y		1	*		
D10		INC. 28,29					
027-1	520146-1	STATOR ASSY	O	1			
D10		INC. 28,29					
028	210059-1	BALL BEARING 6000DDW		1	*		

028-1	210274-7	BALL BEARING 6000DDW	O	1		
029	962105-3	RETAINING RING R-26		1		
030	266326-2	TAPPING SCREW 4X18		1		
031	422467-6	CAP		1		
032	422451-1	OIL TUBE 3-100		1		
033	142156-4	OIL PUMP COMPLETE		1	*	
033-1	142156-4	OIL PUMP COMPLETE	O	1		
034	422452-9	OIL TUBE 3-130		1		
035	231975-4	SPRING		1		
036	452666-6	NIPPLE		1	*	
036-1	452666-6	NIPPLE	O	1		
037	911118-1	PAN HEAD SCREW M4X12		2		
038	459270-2	FRONT HAND GUARD RETAINER		1		
039	140K79-6	FRONT HAND GUARD COMPLETE		1		
C10	819S75-0	CAUTION LABEL		1		
040	234210-9	COMPRESSION SPRING 3		1		
041	313212-9	HAND GUARD GUIDE		1		
042	346809-9	SPIKE BUMPER		1		
043	266420-0	TAPPING SCREW 5X20		2		
044	347516-7	CHAIN CATCHER		1		
045	183N15-7	HOUSING SET		1		
C10	263005-3	RUBBER PIN 6		2		
C20	424170-5	VALVE		1		
C30	454724-4	SINTER INSERT		1		
D10		INC. 8				
046	911228-4	PAN HEAD SCREW M5X18		3		
047	422466-8	GROMET		1		
048	227620-7	DRIVE GEAR 14		1		
049	227634-6	STRAIGHT BEVEL GEAR 14		1		
050	347517-5	TENSION SLIDE		1		
051	327317-9	ADJUST SCREW		1		
052	227496-2	STRAIGHT BEVEL GEAR 14		1		
053	281222-3	HOOK		1		
054	347514-1	HOOK SUPPORT		1		
055	266326-2	TAPPING SCREW 4X18		4		
056	140A74-6	LINK PLATE COMPLETE		1		
057	232452-9	COMPRESSION SPRING 7		1		
058	347515-9	BRAKE BAND COMPLETE		1		
059	459273-6	HOUSING R COVER		1		
061	162638-0	BRAKE DRUM COMPLETE		1		
062	213060-5	O RING 10		1		
063	221464-7	SPROCKET 6		1		
064	961013-5	STOP RING E-7		1		
065	266905-6	H.L. SOCKET HEAD BOLT M5X12		1		
066	347533-7	GUIDE PLATE L		1		
067	266427-6	TAPPING SCREW 4X12		1		
068	347534-5	GUIDE PLATE R		1		
069	162494-8	FLANGE NUT COMPLETE		1		
070	136138-6	SPROCKET COVER ASS'Y		1		
D10		INC. 67-69,71				
071	459278-6	NUT COVER		1		
A01	165245-8	GUIDE BAR 12		1	*	

A01-1	165245-8	GUIDE BAR 12	O	1		
A02	419288-5	CHAIN COVER		1		
A03	196740-7	SAW CHAIN SET		1	*	
A03-1	191H01-8	SAW CHAIN 12 SET	O	1		
A05	782023-7	WRENCH 13-16		1		
E01	817D83-5	CAUTION TAG		1	*	
E01-1	8032W7-6	CAUTION TAG	<	1		
E02	805011-8	SOUND 103DB LABEL		1		
F13	195093-1	CHAIN OIL SET		1		
F14	195923-6	ROUND FILE 4.5 SET		1	*	
F14-1	D-70954	FILE HOLDER SET 4.5MM(11/64")	O	1		
F15	196205-9	SAW CHAIN SET		1	*	
F15-1	191H08-4	SAW CHAIN 10 SET	O	1		
F16	196206-7	SAW CHAIN SET		1		
F25	196740-7	SAW CHAIN SET		1	*	
F25-1	191H01-8	SAW CHAIN 12 SET	O	1		
F29	198457-8	CHAIN EDGER SET		1	*	
F29-1	D-70948	FILE HOLDER SET 4.0MM(5/32")	O	1		
F31	199075-5	SAW CHAIN SET		1		
027-1	529420-4	STATOR ASS'Y		1		
028-1	210059-1	BALL BEARING 6000DDW		1		
063	227947-5	SPROCKET 7		1		
A01-1	191T86-6	GUIDE BAR 12 SET		1		
A03	191T90-5	SAW CHAIN 12 SET		1		

Please state Parts No. when your order.

Print Date 02/16/2024