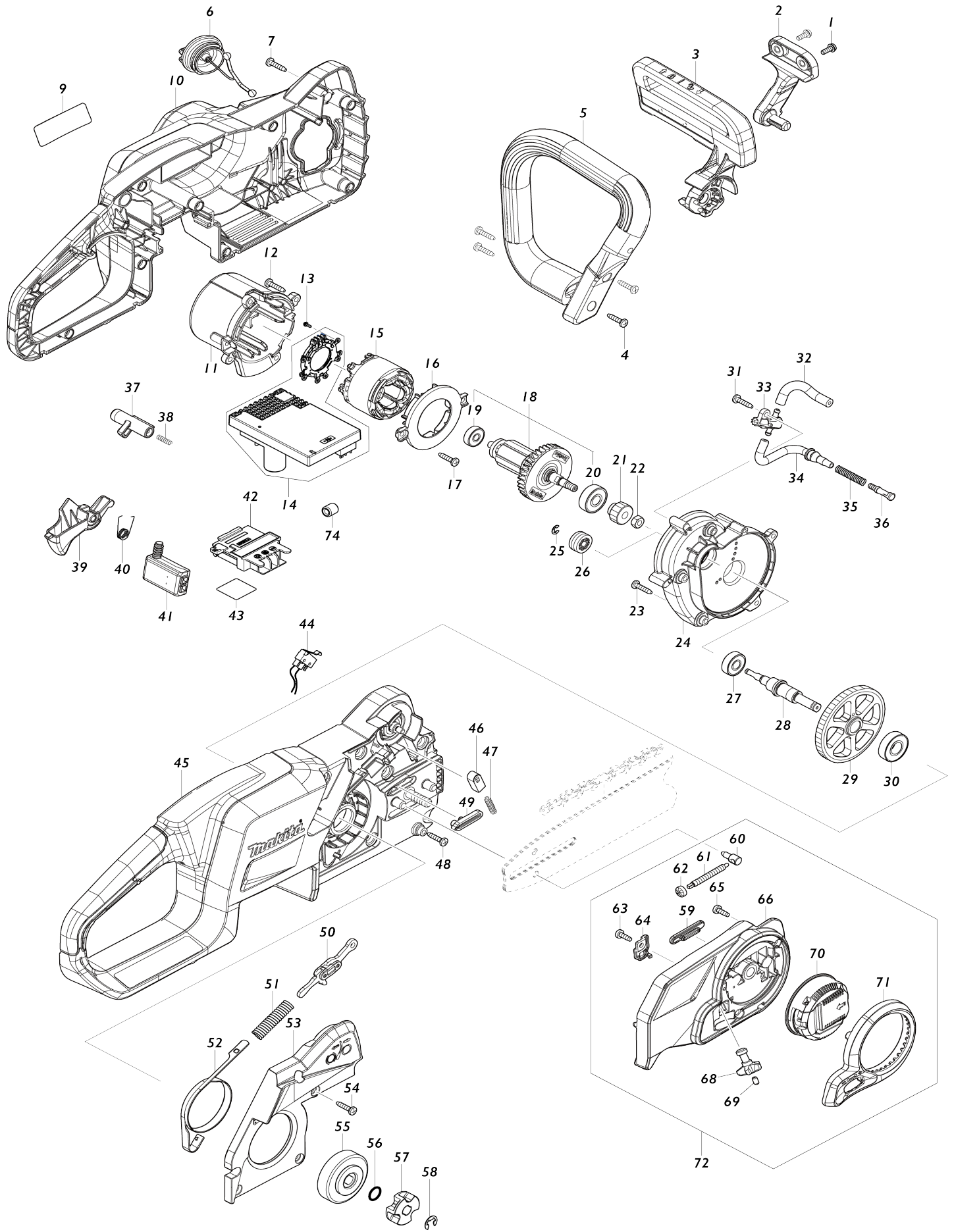


Model No.DUC357 350MM CORDLESS CHAIN SAW



Model No.DUC357 350MM CORDLESS CHAIN SAW

Item No.	Parts No.	Description	Interchangability	Q'ty	New/Old	Note1	Note2
001	911118-1	PAN HEAD SCREW M4X12		2			
002	413J87-7	FRONT HAND GUARD RETAINER		1			
003	141K82-0	FRONT HAND GUARD COMPLETE		1			
C10	810R21-0	CAUTION LABEL		1			
004	266326-2	TAPPING SCREW 4X18		4			
005	413J75-4	FRONT HANDLE		1			
006	162C20-1	TANK CAP COMPLETE		1			
C10	213A30-0	O-RING 29.5		1			
007	266326-2	TAPPING SCREW 4X18		9			
009	858R06-8	DUC357 NAME PLATE		1			
010	183W84-2	HOUSING SET		1			
C10	263005-3	RUBBER PIN 6		2			
C20	8057G1-2	MAKITA LOGO LABEL		1			
D10		INC. 45					
011	413J76-2	MOTOR HOUSING		1			
012	266326-2	TAPPING SCREW 4X18		4			
013	652119-7	PAN HEAD SCREW M2X6		6			
014	620J79-1	CONTROLLER		1			
015	629B62-7	STATOR		1			
016	413J86-9	BAFFLE PLATE		1			
017	266326-2	TAPPING SCREW 4X18		2			
018	519766-6	ROTOR ASS'Y		1	*		
D10		INC. 19,20					
018-1	519766-6	ROTOR ASS'Y	O	1			
D10		INC. 19,20					
019	211499-6	BALL BEARING 626ZZ		1			
020	211092-6	BALL BEARING 629DDW		1			
021	227989-9	SPUR GEAR 16		1			
022	252186-8	HEX. NUT M6		1			
023	266326-2	TAPPING SCREW 4X18		5			
D10		INC. 41,43					
D10		INC. 41,43					
042-2	510450-6	ROTOR ASSY	<	1	*		
D10		INC. 41,43					
043	211032-4	BALL BEARING 608ZZ		1	*		
043-1	210005-4	BALL BEARING 608DDW	<	1			
044	422259-3	RUBBER SLEEVE 8		2			
045	140F22-5	GEAR HOUSING COMPLETE		1	*		
C10	424344-8	DAMPER		1	*		
045-1	136278-0	GEAR HOUSING ASSEMBLY	S	1	*		
C10	424344-8	DAMPER		1	*		
C20	213961-7	O RING 22		1	*		
045-2	136278-0	GEAR HOUSING ASSEMBLY	O	1	*		
C10	424344-8	DAMPER		1	*		
C20	213961-7	O RING 22		1	*		
045-3	136278-0	GEAR HOUSING ASSEMBLY	O	1			
C10	424344-8	DAMPER		1			

C20	213961-7	O RING 22		1			
046	458417-5	GASKET		1	*		
047	211032-4	BALL BEARING 608ZZ		1			
048	347361-0	FRICITION PLATE		1			
049	347362-8	CONNECTING ROD		1			
050	915211-3	BINDING HEAD SCREW M5X12		3			
051	458408-6	GUARD E		1	*		
051-1	412908-0	GUARD E	S	1			
C10	345205-8	BRANCH CATCHER		1	*		
C20	911208-0	PAN HEAD SCREW M5X10		1	*		
C10	345205-8	BRANCH CATCHER		1	*		
C20	911208-0	PAN HEAD SCREW M5X10		1	*		
C10	345205-8	BRANCH CATCHER		1			
C20	911208-0	PAN HEAD SCREW M5X10		1			
D10		INC. 50,51,62-64					
053	265182-7	+ PAN HEAD SCREW M5X25		2	*		
053-1	265B66-1	+ PAN HEAD SCREW M5X25 WIT H WR	S	2			
054	140B79-2	GEAR COMPLETE		1			
055	347362-8	CONNECTING ROD		1			
056	347361-0	FRICITION PLATE		1			
057	211499-6	BALL BEARING 626ZZ		1			
058	443159-4	SEAL		1			
059	140B62-9	GEAR HOUSING COVER COMPLE TE		1	*		
059-1	140B62-9	GEAR HOUSING COVER COMPLE TE	O	1			
062	915211-3	BINDING HEAD SCREW M5X12		1			
065	253804-1	FLAT WASHER 6		2	*		
066	458907-8	UNDER COVER		1			
068	265698-2	HEX. SOCKET HEAD BOLT M4X25 WRM		2			
069	265A29-1	HEX. SOCKET HEAD BOLT M4X16 WRM		2			
A02	195246-2	SAFETY GOGGLE		1	*		
024	413J72-0	BEARING HOUSING		1			
025	961011-9	STOP RING E-4		1			
026	226884-0	WORM GEAR		1			
027	211032-4	BALL BEARING 608ZZ		1			
028	327A29-0	SPINDLE		1			
029	227990-4	SPUR GEAR 73		1			
030	210216-1	BALL BEARING 6001DDW		1			
031	266326-2	TAPPING SCREW 4X18		1			
032	422914-7	OIL TUBE 3-60		1			
033	141N25-0	OIL PUMP COMPLETE		1			
034	422913-9	OIL TUBE 3-105		1			
035	231975-4	SPRING		1			
036	452666-6	NIPPLE		1			
037	413J88-5	LOCK OFF BUTTON		1			
038	231469-9	COMPRESSION SPRING 4		1			
039	413J84-3	SWITCH LEVER		1			
040	233621-5	TORSION SPRING 9		1			
041	651083-9	SWITCH C3XA-1PSPM		1			

042	643874-2	TERMINAL		1		
043	858R13-1	DUC357 SERIAL NO. LABEL		1		
044	632L48-2	SWITCH UNIT		1		
045	183W84-2	HOUSING SET		1		
C10	263005-3	RUBBER PIN 6		2		
C20	8057G1-2	MAKITA LOGO LABEL		1		
D10		INC. 10				
046	313212-9	HAND GUARD GUIDE		1		
047	234210-9	COMPRESSION SPRING 3		1		
048	266326-2	TAPPING SCREW 4X18		1		
049	422915-5	GROMMET		1		
050	141E60-4	LINK PLATE COMPLETE		1		
051	232452-9	COMPRESSION SPRING 7		1		
052	347864-4	BRAKE BAND		1		
053	413J85-1	HOUSING R COVER		1		
054	266326-2	TAPPING SCREW 4X18		5		
055	162B78-4	BRAKE DRUM		1		
056	213060-5	O RING 10		1	*	
056-1	213A41-5	O-RING 10	O	1		
057	221464-7	SPROCKET 6		1		
058	961013-5	STOP RING E-7		1		
059	422833-7	GROMMET		1		
060	326310-0	ADJUST PIN		1		
061	327958-1	ADJUST SCREW		1		
062	227496-2	STRAIGHT BEVEL GEAR 14		1		
063	266427-6	TAPPING SCREW 4X12		1		
064	413F29-7	COVER		1		
065	266427-6	TAPPING SCREW 4X12		3		
066	413J73-8	SPROCKET COVER		1		
068	142665-3	DRIVE GEAR COMPLETE		1		
069	263002-9	RUBBER PIN 4		1		
070	142235-8	NUT COMPLETE		1		
071	454819-3	NUT COVER		1		
072	136784-5	SPROCKET COVER ASS'Y		1		
D10		INC. 59-66,68-71				
074	688164-6	LINE FILTER		1		
A01	191G16-9	GUIDE BAR 14 SET		1		
A02	413G23-5	GUIDE BAR CASE 360		1		
A03	191H02-6	SAW CHAIN 14 SET		1		
E01	891805-7	SOUND 98DB LABEL		1		
F01	191G15-1	GUIDE BAR 12 SET		1		
F02	191G16-9	GUIDE BAR 14 SET		1		
F03	191G17-7	GUIDE BAR 16 SET		1		
F04	191G23-2	GUIDE BAR 12 SET		1		
F05	191G24-0	GUIDE BAR 14 SET		1		
F06	191G25-8	GUIDE BAR 16 SET		1		
F07	191H01-8	SAW CHAIN 12 SET		1		
F08	191H02-6	SAW CHAIN 14 SET		1		
F09	191H03-4	SAW CHAIN 16 SET		1		
F10	191H10-7	SAW CHAIN 12 SET		1		
F11	191H11-5	SAW CHAIN 14 SET		1		
F12	191H12-3	SAW CHAIN 16 SET		1		

F13	195923-6	ROUND FILE 4.5 SET		1	*		
F13-1	D-70954	FILE HOLDER SET 4.5MM(11/64")	O	1			
F14	198457-8	CHAIN EDGER SET		1	*		
F14-1	D-70948	FILE HOLDER SET 4.0MM(5/32")	O	1			
A06	***DC18RC	DC18RC FAST CHARGER		1			
D10		COMPO-PARTS					
A07	197280-8	BATTERY BL1850B SET		1			

Please state Parts No. when your order.

Print Date 01/26/2024