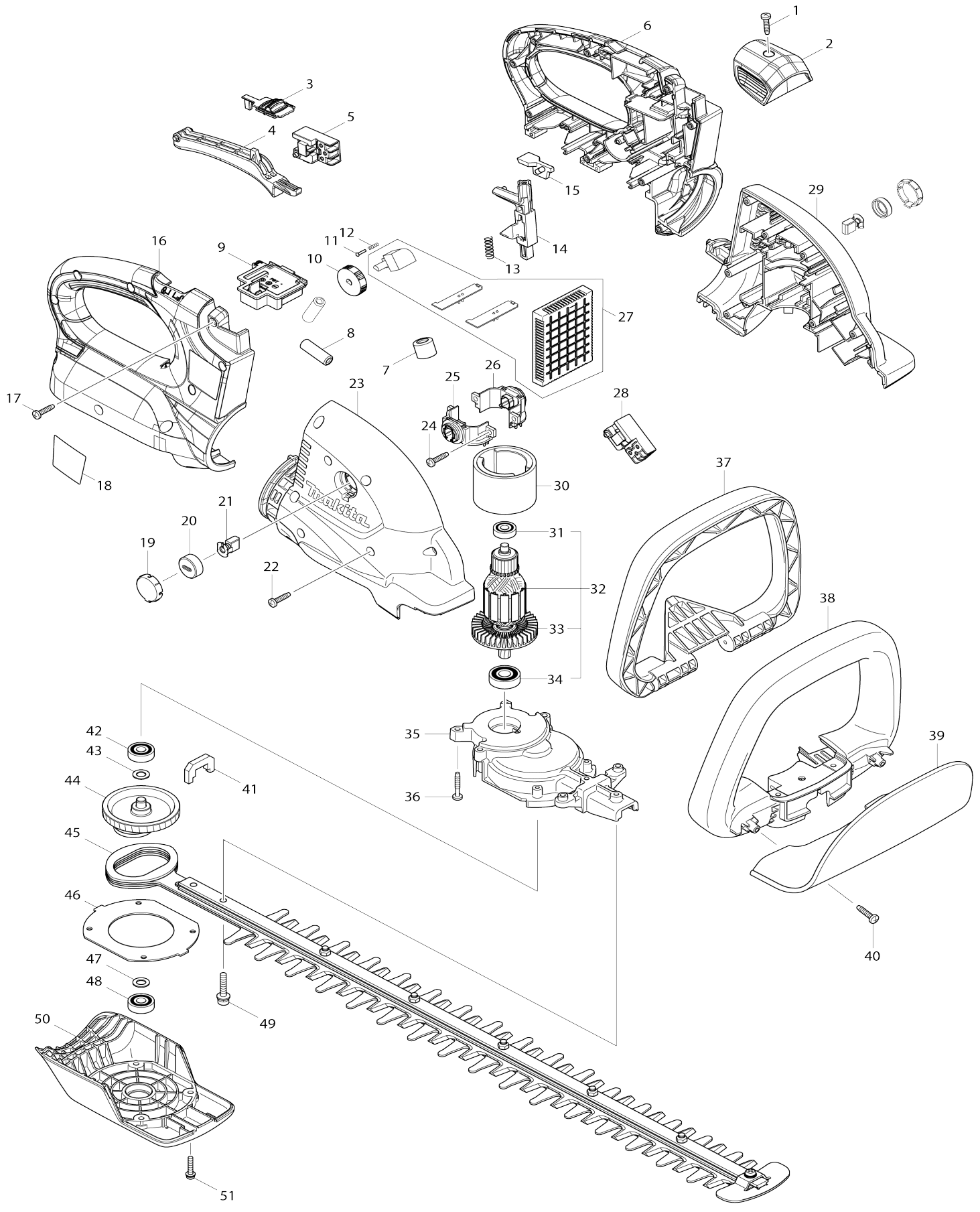


Model No.DUH551 550MM CRDLSS HEDGE TRIMMER



Model No.DUH551 550MM CRDLSS HEDGE TRIMMER

Item No.	Parts No.	Description	Interchangability	Q'ty	New/Old	Note1	Note2
001	265995-6	TAPPING SCREW 4X18		1			
002	452164-0	KNOB		1			
003	455093-6	LOCK OFF LEVER		1			
004	455091-0	SWITCH LEVER A		1			
005	650730-9	SWITCH TG72BD-6		1			
006	187879-7	HANDLE SET		1			
C10	263005-3	RUBBER PIN 6		4			
C20	803N80-7	INDICATION LABEL		1			
D10		INC. 16					
007	688163-8	LINE FILTER		1			
008	688165-4	LINE FILTER		2			
009	644808-8	TERMINAL		2			
010	271427-3	DIAL 28		1			
011	255058-6	RIVET 2		1			
012	233002-3	COMPRESSION SPRING 3		1			
013	233117-6	COMPRESSION SPRING 6		1			
014	452162-4	LOCK LEVER		1			
015	455092-8	SLIDER		1			
016	187879-7	HANDLE SET		1			
C10	263005-3	RUBBER PIN 6		4			
C20	803N80-7	INDICATION LABEL		1			
D10		INC. 6					
017	265995-6	TAPPING SCREW 4X18		10			
018	815P92-0	DUH551 NAME PLATE		1			
019	452145-4	HOLDER CAP COVER		2			
020	643941-3	BRUSH HOLDER CAP		2			
021	194928-3	CARBON BRUSH CB-442		1			
022	265995-6	TAPPING SCREW 4X18		8			
023	187878-9	HOUSING SET		1			
C10	263025-7	RUBBER PIN 4		4			
D10		INC. 29					
024	265995-6	TAPPING SCREW 4X18		2			
025	644511-1	BRUSH HOLDER		1			
026	644512-9	BRUSH HOLDER		1			
027	620274-3	CONTROLLER		1	*		
027-1	620E41-6	CONTROLLER	<	1			
028	650730-9	SWITCH TG72BD-6		1			
029	187878-9	HOUSING SET		1			
C10	263025-7	RUBBER PIN 4		4			
D10		INC. 23					
030	638020-0	YOKE UNIT		1			
031	211022-7	BALL BEARING 607ZZ		1			
032	519261-6	ARMATURE ASSEMBLY 36V		1			
D10		INC. 31,33,34					
033	240045-8	FAN 55		1			
034	211062-5	BALL BEARING 6000ZZ		1			
035	140604-7	GEAR HOUSING COMPLETE		1			

C10	263002-9	RUBBER PIN 4		1		
036	265999-8	TAPPING SCREW 4X25		6		
037	452160-8	SWITCH LEVER B		1		
038	452158-5	FRONT GRIP		1		
039	452147-0	PROTECTOR		1		
040	265995-6	TAPPING SCREW 4X18		2		
041	443142-1	DUST GUARD		1		
042	211032-4	BALL BEARING 608ZZ		1	*	
042-1	210223-4	BALL BEARING 608ZZ	O	1		
043	253835-0	FLAT WASHER 8		1		
044	140536-8	GEAR COMPLETE		1		
045-1	196687-5	SHEAR BLADE ASS'Y SET		1	*	
C10	252184-2	HEX.LOCK NUT M5-8		5	*	
C20	257717-8	SLEEVE 5		7	*	
C30	265181-9	+TRUSS HEAD SCREW M5X20		5	*	
C40	345205-8	BRANCH CATCHER		1	*	
C50	911208-0	PAN HEAD SCREW M5X10		1	*	
C60	188605-7	OIL VESSEL SET		1	*	
045-2	126416-2	SHEAR BLADE ASSEMBLY	>	1	*	
C10	264013-7	HEX. LOCK NUT M5-8	X	5	*	
C20	257766-5	SLEEVE 5	X	7	*	
C30	265181-9	+TRUSS HEAD SCREW M5X20		5	*	
C40	345205-8	BRANCH CATCHER		1	*	
C50	911208-0	PAN HEAD SCREW M5X10		1	*	
045-3	125443-6	SHEAR BLADE ASSEMBLY	O	1	*	
C10	252184-2	HEX.LOCK NUT M5-8		5	*	
C20	257717-8	SLEEVE 5		7	*	
C30	265181-9	+TRUSS HEAD SCREW M5X20		5	*	
C40	345205-8	BRANCH CATCHER		1	*	
C50	911208-0	PAN HEAD SCREW M5X10		1	*	
045-4	126416-2	SHEAR BLADE ASSEMBLY	O	1		
C10	264013-7	HEX. LOCK NUT M5-8		5		
C20	257766-5	SLEEVE 5		7		
C30	265181-9	+TRUSS HEAD SCREW M5X20		5		
C40	345205-8	BRANCH CATCHER		1		
C50	911208-0	PAN HEAD SCREW M5X10		1		
046	346325-1	PLATE		1		
047	253835-0	FLAT WASHER 8		1		
048	211032-4	BALL BEARING 608ZZ		1	*	
048-1	210223-4	BALL BEARING 608ZZ	O	1		
049	265182-7	+ PAN HEAD SCREW M5X25		2		
050	452156-9	UNDER COVER		1		
051	911138-5	P.H.SCREW M4X20 WITH WR		4		
A01	450489-6	BLADE COVER		1		
E01	891003-3	SOUND 93DB LABEL		1		
F07	194681-1	CHIP RECEIVER ASS'Y SET		1		
F08-3	197606-4	BATTERY BL1830B SET (2PIECES)	O	1	*	
F09-3	197600-6	BATTERY BL1830B SET	O	1		
F10-4	197599-5	BATTERY BL1830B SET	O	1		
A02	***DC18RD	DC18RD TWO PORT FAST CHARGER		1		
A03-2	197600-6	BATTERY BL1830B SET		2		

Please state Parts No. when your order.

Print Date 17/10/2023