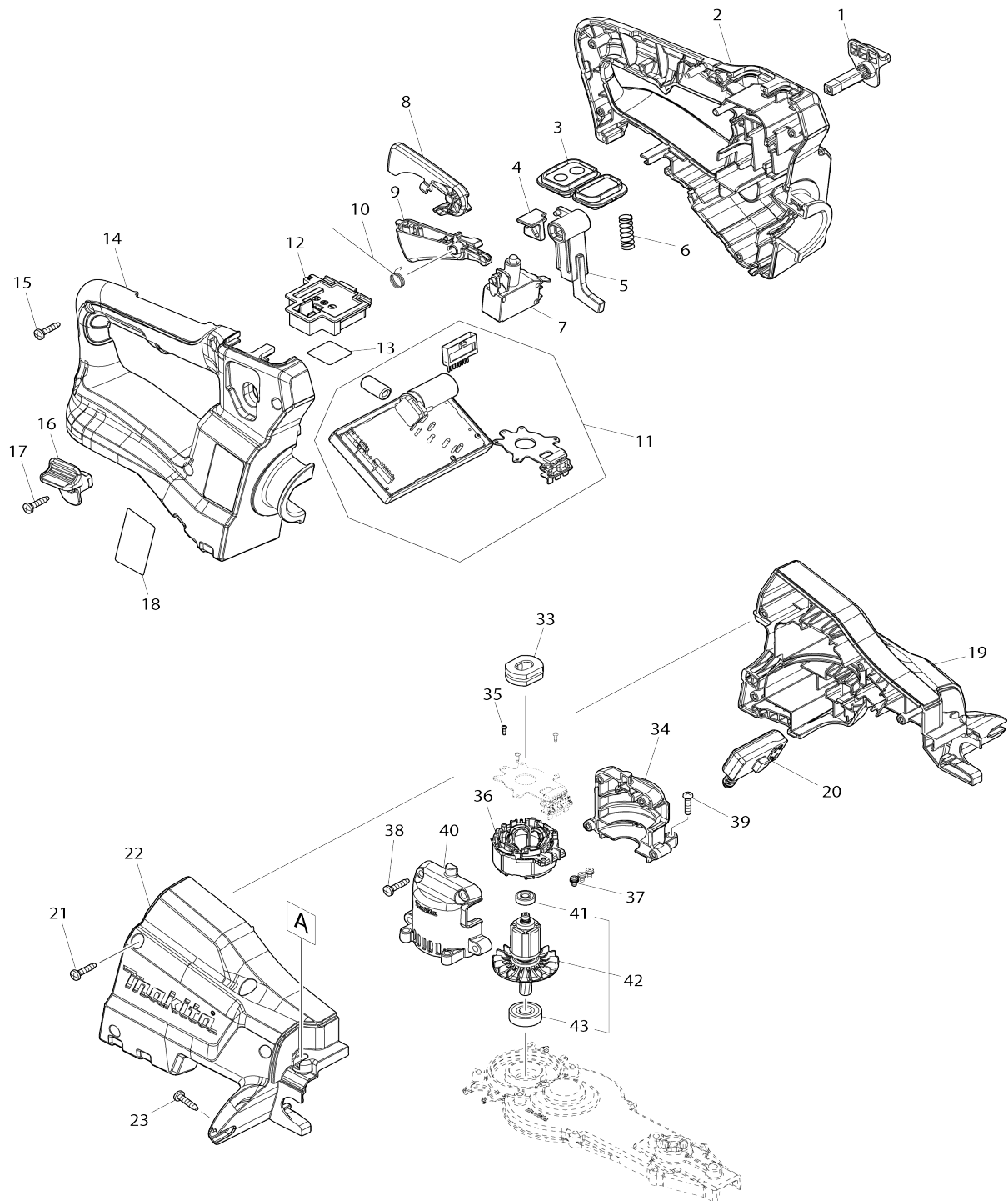
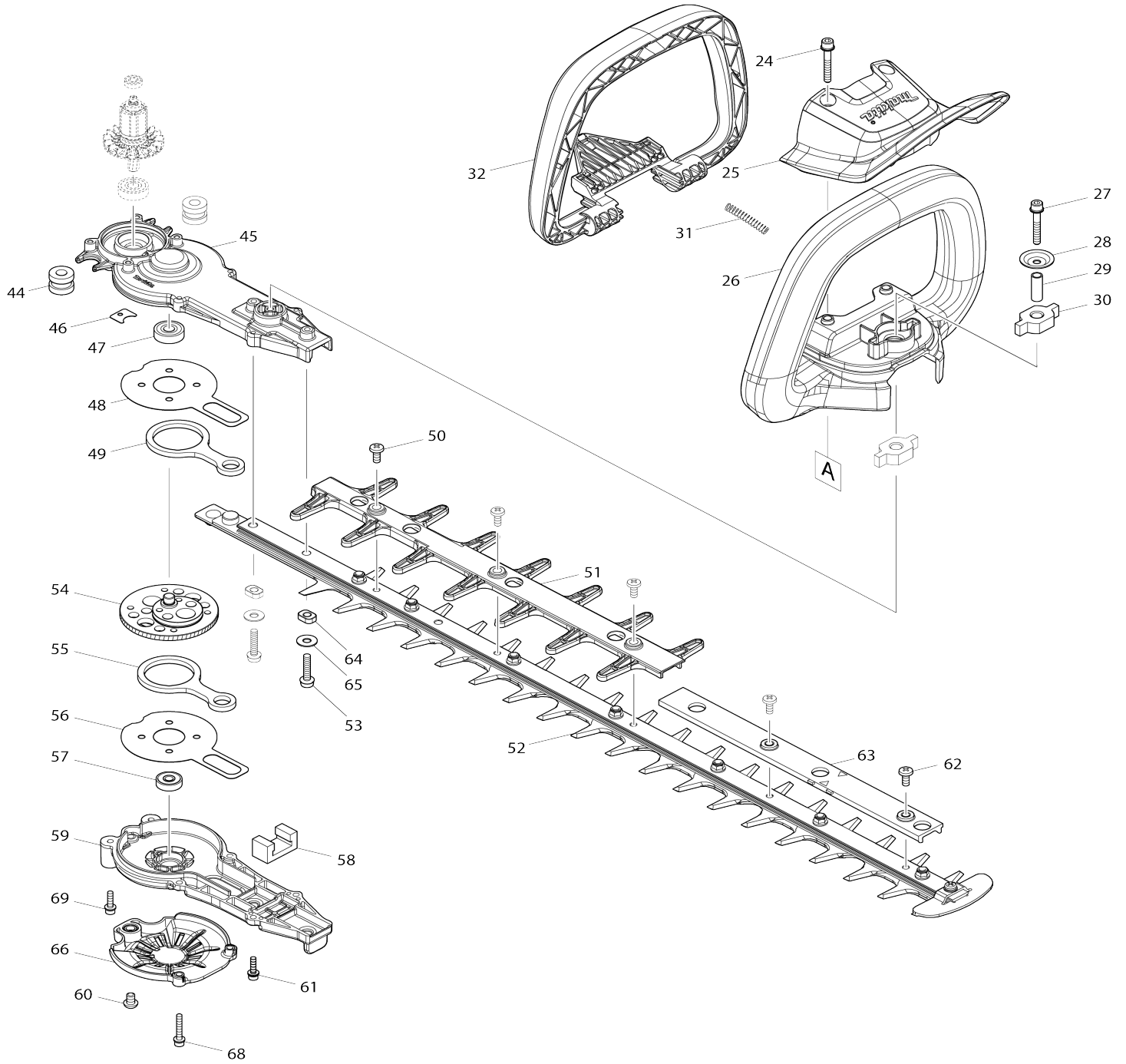


# Model No. DUH601 600MM CORDLESS HEDGE TRIMMER



Model No.DUH601 600MM CORDLESS HEDGE TRIMMER



Model No.DUH601 600MM CORDLESS HEDGE TRIMMER

| Item No. | Parts No. | Description              | Interchangability | Q'ty | New/Old | Note1 | Note2 |
|----------|-----------|--------------------------|-------------------|------|---------|-------|-------|
| 001      | 458406-0  | LOCK LEVER L             |                   | 1    |         |       |       |
| 002      | 183J51-9  | HANDLE SET               |                   | 1    |         |       |       |
| C10      | 263005-3  | RUBBER PIN 6             |                   | 2    |         |       |       |
| D10      |           | INC. 14                  |                   |      |         |       |       |
| 003      | 140A04-7  | SUB CONTROLLER COMPLETE  |                   | 1    |         |       |       |
| C10      | 806G56-1  | INDICATION LABEL         |                   | 1    |         |       |       |
| C20      | 817C42-3  | SWITCH LABEL             |                   | 1    |         |       |       |
| 004      | 458570-7  | SLIDER                   |                   | 1    |         |       |       |
| 005      | 458405-2  | LOCK ARM                 |                   | 1    |         |       |       |
| 006      | 234204-4  | COMPRESSION SPRING 8     |                   | 1    |         |       |       |
| 007      | 650781-2  | SWITCH C3JW-6B-P         |                   | 1    |         |       |       |
| 008      | 458403-6  | LOCK OFF LEVER           |                   | 1    |         |       |       |
| 009      | 458404-4  | SWITCH LEVER R           |                   | 1    |         |       |       |
| 010      | 232454-5  | TORSION SPRING 10        |                   | 1    |         |       |       |
| 011      | 620818-9  | CONTROLLER               |                   | 1    | *       |       |       |
| 011-1    | 620B18-3  | CONTROLLER               | O                 | 1    | *       |       |       |
| 011-2    | 620E32-7  | CONTROLLER               | <                 | 1    | *       |       |       |
| 011-3    | 620K06-4  | CONTROLLER               | <                 | 1    | *       |       |       |
| 011-4    | 620M96-9  | CONTROLLER               | <                 | 1    |         |       |       |
| 012      | 644809-6  | TERMINAL                 |                   | 1    |         |       |       |
| 013      | 854K10-3  | DUH601 SERIAL NO. LABEL  |                   | 1    |         |       |       |
| 014      | 183J51-9  | HANDLE SET               |                   | 1    |         |       |       |
| C10      | 263005-3  | RUBBER PIN 6             |                   | 2    |         |       |       |
| D10      |           | INC. 2                   |                   |      |         |       |       |
| 015      | 266326-2  | TAPPING SCREW 4X18       |                   | 6    | *       |       |       |
| 015-1    | 265B67-9  | TAPPING SCREW 4X18       | O                 | 6    |         |       |       |
| 016      | 458407-8  | LOCK LEVER R             |                   | 1    |         |       |       |
| 017      | 266326-2  | TAPPING SCREW 4X18       |                   | 1    | *       |       |       |
| 017-1    | 265B67-9  | TAPPING SCREW 4X18       | O                 | 1    |         |       |       |
| 018      | 854K03-0  | DUH601 NAME PLATE        |                   | 1    |         |       |       |
| 019      | 183K21-4  | HOUSING SET              |                   | 1    |         |       |       |
| C10      | 252143-6  | COLLARED HEX.NUT M5-8    |                   | 2    |         |       |       |
| C20      | 424344-8  | DAMPER                   |                   | 4    |         |       |       |
| D10      |           | INC. 22                  |                   |      |         |       |       |
| 020      | 651083-9  | SWITCH C3XA-1PSPM        |                   | 1    |         |       |       |
| 021      | 266326-2  | TAPPING SCREW 4X18       |                   | 4    | *       |       |       |
| 021-1    | 265B67-9  | TAPPING SCREW 4X18       | O                 | 4    |         |       |       |
| 022      | 183K21-4  | HOUSING SET              |                   | 1    |         |       |       |
| C10      | 252143-6  | COLLARED HEX.NUT M5-8    |                   | 2    |         |       |       |
| C20      | 424344-8  | DAMPER                   |                   | 4    |         |       |       |
| D10      |           | INC. 19                  |                   |      |         |       |       |
| 023      | 266326-2  | TAPPING SCREW 4X18       |                   | 2    | *       |       |       |
| 023-1    | 265B67-9  | TAPPING SCREW 4X18       | O                 | 2    |         |       |       |
| 024      | 265182-7  | + PAN HEAD SCREW M5X25   |                   | 2    |         |       |       |
| 025      | 458399-1  | PROTECTOR                |                   | 1    |         |       |       |
| 026      | 458400-2  | FRONT GRIP E             |                   | 1    |         |       |       |
| 027      | 251476-6  | H.S.H.BOLT M5X35 WITH WR |                   | 1    | *       |       |       |
|          |           |                          |                   |      |         |       |       |

|       |          |                           |   |   |   |  |
|-------|----------|---------------------------|---|---|---|--|
| 027-1 | 265D13-4 | H.S.H.BOLT M5X35 WITH WRM | O | 1 |   |  |
| 028   | 253416-0 | DISH WASHER 5             |   | 1 |   |  |
| 029   | 257678-2 | SLEEVE 6                  |   | 1 |   |  |
| 030   | 422260-8 | RUBBER SLEEVE 8           |   | 2 |   |  |
| 031   | 233222-9 | COMPRESSION SPRING 5      |   | 1 | * |  |
| 031-1 | 233222-9 | COMPRESSION SPRING 5      | O | 2 |   |  |
| 032   | 458402-8 | SWITCH LEVER F            |   | 1 |   |  |
| 033   | 422261-6 | RUBBER SLEEVE             |   | 1 |   |  |
| 034   | 183J52-7 | MOTOR HOUSING SET         |   | 1 | * |  |
| D10   |          | INC. 40                   |   |   |   |  |
| 034-1 | 183L66-8 | MOTOR HOUSING SET         | < | 1 | * |  |
| D10   |          | INC. 40                   |   |   |   |  |
| 034-2 | 183L66-8 | MOTOR HOUSING SET         | < | 1 |   |  |
| D10   |          | INC. 40                   |   |   |   |  |
| 035   | 266490-9 | TAPPING SCREW PT 2X6      |   | 3 | * |  |
| 035-1 | 265C47-1 | TAPPING SCREW PT 2X6      | O | 3 |   |  |
| 036   | 629352-6 | STATOR                    |   | 1 |   |  |
| 037   | 652069-6 | FLAT HEAD SCREW M3X6      |   | 3 |   |  |
| 038   | 266326-2 | TAPPING SCREW 4X18        |   | 4 | * |  |
| 038-1 | 265B67-9 | TAPPING SCREW 4X18        | O | 4 |   |  |
| 039   | 265178-8 | PAN HEAD SCREW M4X16      |   | 4 | * |  |
| 039-1 | 911128-8 | P.H.SCREW M4X16 WITH WR   | O | 4 |   |  |
| 040   | 183J52-7 | MOTOR HOUSING SET         |   | 1 | * |  |
| D10   |          | INC. 34                   |   |   |   |  |
| 040-1 | 183L66-8 | MOTOR HOUSING SET         | < | 1 | * |  |
| D10   |          | INC. 34                   |   |   |   |  |
| 040-2 | 183L66-8 | MOTOR HOUSING SET         | < | 1 |   |  |
| D10   |          | INC. 34                   |   |   |   |  |
| 041   | 211157-4 | BALL BEARING 695ZZ        |   | 1 |   |  |
| 042   | 519522-4 | ROTOR ASSY                |   | 1 | * |  |
| D10   |          | INC. 41,43                |   |   |   |  |
| 042-1 | 519557-5 | ROTOR ASSY                | < | 1 | * |  |
| D10   |          | INC. 41,43                |   |   |   |  |
| 042-2 | 510450-6 | ROTOR ASSY                | < | 1 | * |  |
| D10   |          | INC. 41,43                |   |   |   |  |
| 042-3 | 510450-6 | ROTOR ASSY                | O | 1 |   |  |
| D10   |          | INC. 41,43                |   |   |   |  |
| 043   | 211032-4 | BALL BEARING 608ZZ        |   | 1 | * |  |
| 043-1 | 210005-4 | BALL BEARING 608DDW       | < | 1 |   |  |
| 044   | 422259-3 | RUBBER SLEEVE 8           |   | 2 |   |  |
| 045   | 140F22-5 | GEAR HOUSING COMPLETE     |   | 1 | * |  |
| C10   | 424344-8 | DAMPER                    |   | 1 | * |  |
| 045-1 | 136278-0 | GEAR HOUSING ASSEMBLY     | S | 1 | * |  |
| C10   | 424344-8 | DAMPER                    |   | 1 | * |  |
| C20   | 213961-7 | O RING 22                 |   | 1 | * |  |
| 045-2 | 136278-0 | GEAR HOUSING ASSEMBLY     | O | 1 | * |  |
| C10   | 424344-8 | DAMPER                    |   | 1 | * |  |
| C20   | 213961-7 | O RING 22                 |   | 1 | * |  |
| 045-3 | 136278-0 | GEAR HOUSING ASSEMBLY     | O | 1 |   |  |
| C10   | 424344-8 | DAMPER                    |   | 1 |   |  |
| C20   | 213961-7 | O RING 22                 |   | 1 |   |  |
| 046   | 458417-5 | GASKET                    |   | 1 | * |  |

|       |          |                                 |   |   |   |  |  |
|-------|----------|---------------------------------|---|---|---|--|--|
| 047   | 211032-4 | BALL BEARING 608ZZ              |   | 1 |   |  |  |
| 048   | 347361-0 | FRICITION PLATE                 |   | 1 |   |  |  |
| 049   | 347362-8 | CONNECTING ROD                  |   | 1 |   |  |  |
| 050   | 915211-3 | BINDING HEAD SCREW M5X12        |   | 3 |   |  |  |
| 051   | 458408-6 | GUARD E                         |   | 1 | * |  |  |
| 051-1 | 412908-0 | GUARD E                         | S | 1 |   |  |  |
| 052   | 199099-1 | SHEAR BLADE ASSEMBLY 600 SET    |   | 1 | * |  |  |
| C10   | 345205-8 | BRANCH CATCHER                  |   | 1 | * |  |  |
| C20   | 911208-0 | PAN HEAD SCREW M5X10            |   | 1 | * |  |  |
| 052-1 | 199099-1 | SHEAR BLADE ASSEMBLY 600 SET    | < | 1 | * |  |  |
| C10   | 345205-8 | BRANCH CATCHER                  |   | 1 | * |  |  |
| C20   | 911208-0 | PAN HEAD SCREW M5X10            |   | 1 | * |  |  |
| 052-2 | 191R53-9 | SHEAR BLADE 600 SET             | < | 1 |   |  |  |
| C10   | 345205-8 | BRANCH CATCHER                  |   | 1 |   |  |  |
| C20   | 911208-0 | PAN HEAD SCREW M5X10            |   | 1 |   |  |  |
| C30   | 252311-1 | COLLARED HEX. LOCK NUT M5-8     |   | 7 |   |  |  |
| C40   | 257439-0 | SLEEVE 5                        |   | 7 |   |  |  |
| C50   | 253558-0 | FLAT WASHER 5                   |   | 7 |   |  |  |
| C60   | 265181-9 | +TRUSS HEAD SCREW M5X20         |   | 7 |   |  |  |
| D10   |          | INC. 50,51,62-64                |   |   |   |  |  |
| 053   | 265182-7 | + PAN HEAD SCREW M5X25          |   | 2 | * |  |  |
| 053-1 | 265B66-1 | + PAN HEAD SCREW M5X25 WITH WR  | S | 2 |   |  |  |
| 054   | 140B79-2 | GEAR COMPLETE                   |   | 1 |   |  |  |
| 055   | 347362-8 | CONNECTING ROD                  |   | 1 |   |  |  |
| 056   | 347361-0 | FRICITION PLATE                 |   | 1 |   |  |  |
| 057   | 211499-6 | BALL BEARING 626ZZ              |   | 1 |   |  |  |
| 058   | 443159-4 | SEAL                            |   | 1 |   |  |  |
| 059   | 140B62-9 | GEAR HOUSING COVER COMPLETE     |   | 1 | * |  |  |
| 059-1 | 140B62-9 | GEAR HOUSING COVER COMPLETE     | O | 1 |   |  |  |
| 060   | 266559-9 | H.S.BUTTON HEAD BOLT M6X4       |   | 1 | * |  |  |
| 060-1 | 265338-2 | H.S.BOTTON HEAD BOLT M6X8       | < | 1 |   |  |  |
| 061   | 265490-6 | HEX. SOCKET HEAD BOLT M4X16     |   | 6 | * |  |  |
| 061-1 | 266437-3 | HEX. SOCKET HEAD BOLT M4X16     | < | 6 | * |  |  |
| 061-2 | 265A29-1 | HEX. SOCKET HEAD BOLT M4X16 WRM | < | 2 |   |  |  |
| 062   | 915211-3 | BINDING HEAD SCREW M5X12        |   | 2 |   |  |  |
| 063   | 458628-2 | SPACER 600                      |   | 1 | * |  |  |
| 063-1 | 459115-4 | SPACER 600H                     | O | 1 |   |  |  |
| 064   | 257439-0 | SLEEVE 5                        |   | 2 |   |  |  |
| 065   | 253804-1 | FLAT WASHER 6                   |   | 2 | * |  |  |
| 066   | 458907-8 | UNDER COVER                     |   | 1 |   |  |  |
| 068   | 265698-2 | HEX. SOCKET HEAD BOLT M4X25 WRM |   | 2 |   |  |  |
| 069   | 265A29-1 | HEX. SOCKET HEAD BOLT M4X16 WRM |   | 2 |   |  |  |
| A01   | 458414-1 | BLADE COVER 600                 |   | 1 | * |  |  |
| A01-1 | 412911-1 | BLADE COVER 600                 | S | 1 |   |  |  |
| A02   | 195246-2 | SAFETY GOGGLE                   |   | 1 | * |  |  |
| E01   | 891003-3 | SOUND 93DB LABEL                |   | 1 |   |  |  |

|       |           |                                    |   |   |   |  |  |
|-------|-----------|------------------------------------|---|---|---|--|--|
| F01-2 | 199450-5  | GREASE VESSEL SET                  | O | 1 |   |  |  |
| F04-2 | 191R53-9  | SHEAR BLADE 600 SET                | < | 1 |   |  |  |
| 034   | 183L66-8  | MOTOR HOUSING SET                  |   | 1 | * |  |  |
| 040   | 183L66-8  | MOTOR HOUSING SET                  |   | 1 | * |  |  |
| 042   | 519557-5  | ROTOR ASSY                         |   | 1 | * |  |  |
| 042-1 | 510450-6  | ROTOR ASSY                         | < | 1 | * |  |  |
| 060   | 265338-2  | H.S.BOTTON HEAD BOLT M6X8          |   | 1 |   |  |  |
| 061-1 | 265A29-1  | HEX. SOCKET HEAD BOLT M4X16<br>WRM |   | 2 |   |  |  |
| 063   | 459115-4  | SPACER 600H                        |   | 1 |   |  |  |
| A03   | 450128-8  | BATTERY COVER                      |   | 1 |   |  |  |
| A04   | ***DC18RC | DC18RC FAST CHARGER                |   | 1 |   |  |  |
| D10   |           | COMPO-PARTS                        |   |   |   |  |  |
| A05   | 197280-8  | BATTERY BL1850B SET                |   | 2 | * |  |  |
| A05-1 | 197280-8  | BATTERY BL1850B SET                | O | 2 |   |  |  |
| A04   | ***DC18RD | DC18RD TWO PORT FAST CHARG<br>ER   |   | 1 |   |  |  |

Please state Parts No. when your order.

Print Date 01/26/2024