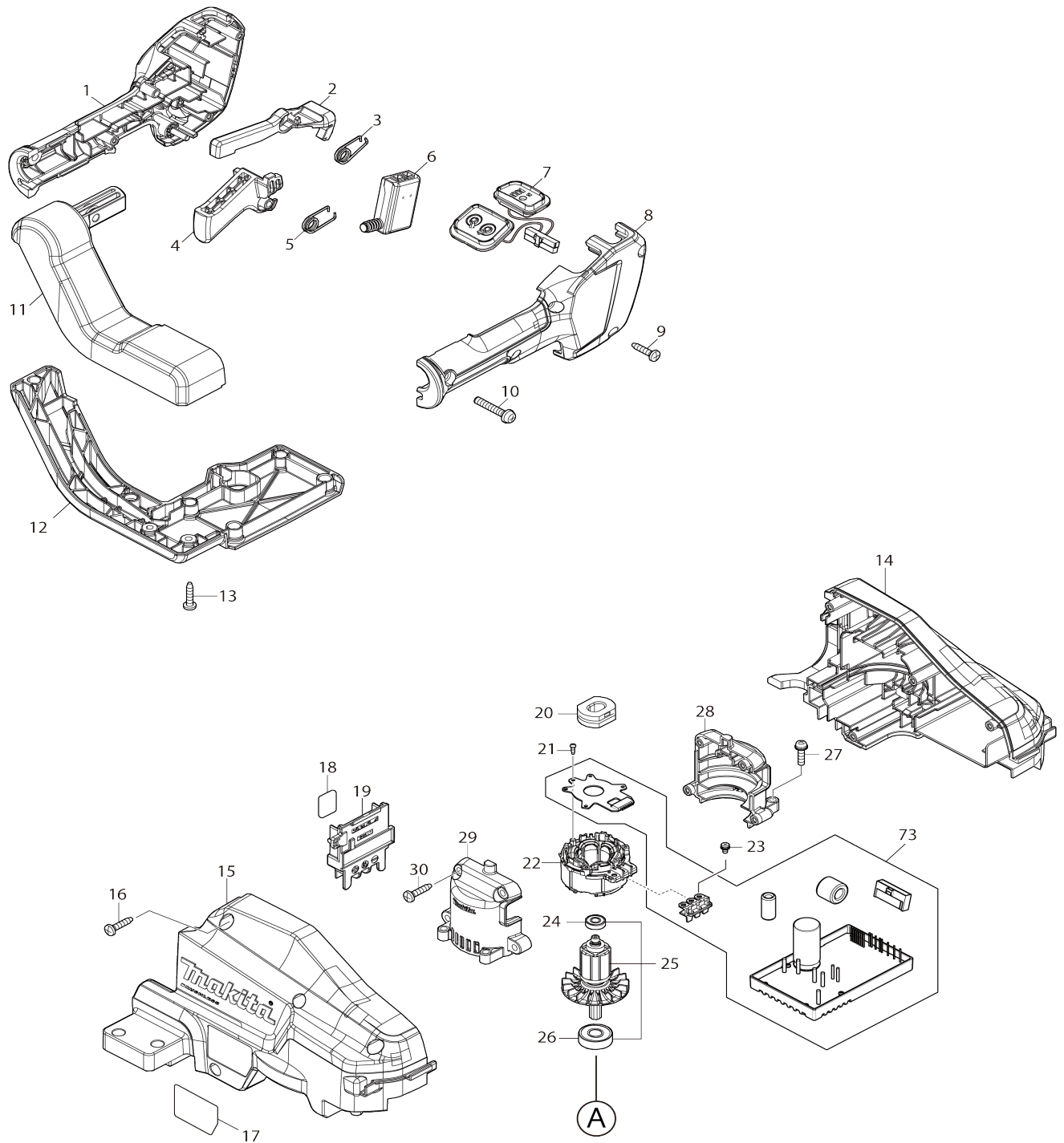
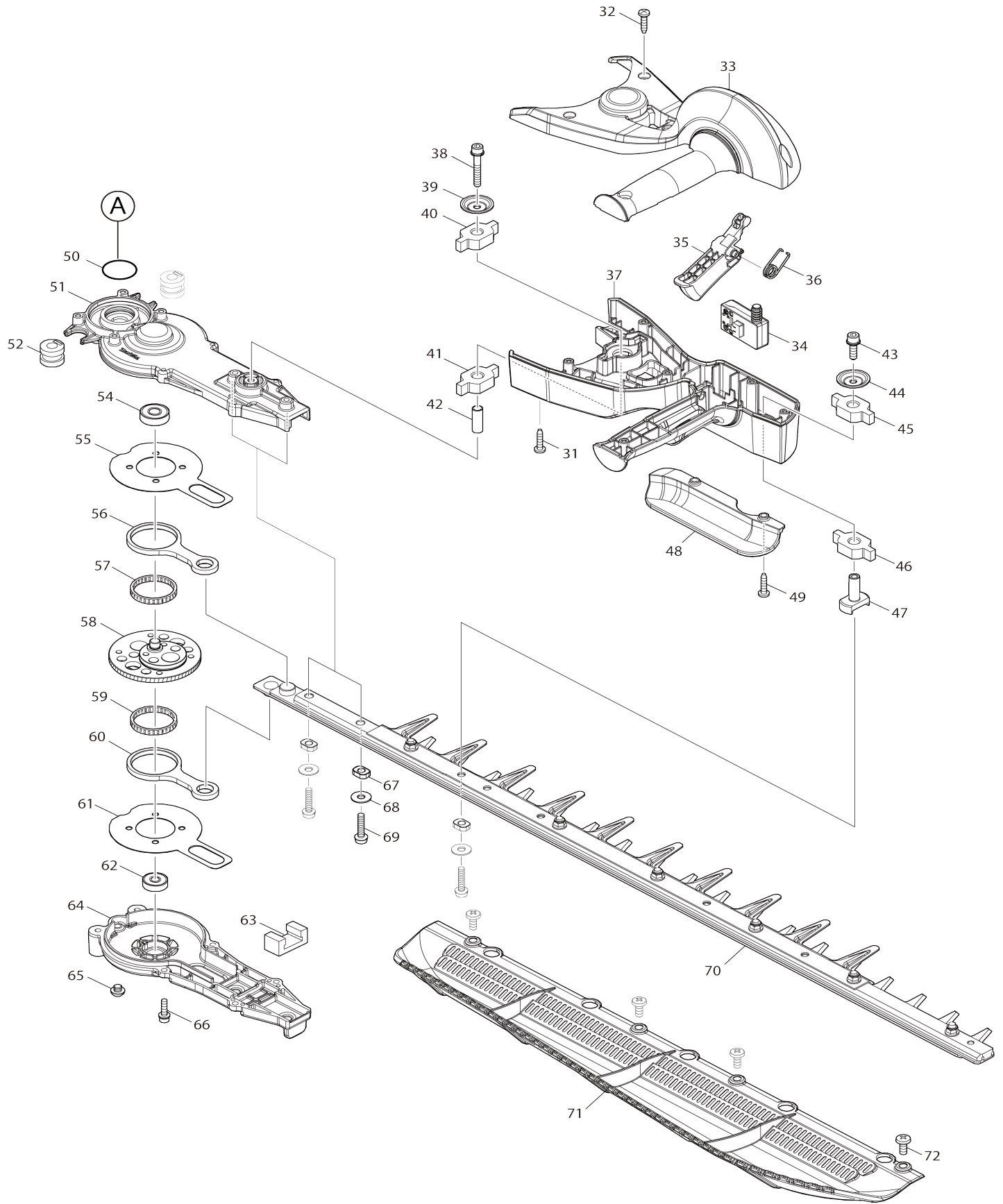


Model No. DUH604S 600MM CORDLESS HEDGE TRIMMER



Model No. DUH604S 600MM CORDLESS HEDGE TRIMMER



Model No.DUH604S 600MM CORDLESS HEDGE TRIMMER

Item No.	Parts No.	Description	Interchangability	Q'ty	New/Old	Note1	Note2
001	183N66-0	GRIP SET		1			
C10	252180-0	HEX. LOCK NUT M5-8		1			
D10		INC. 8					
002	455629-1	LOCK OFF LEVER		1	*		
002-1	413Y35-6	LOCK OFF LEVER	O	1			
003	233621-5	TORSION SPRING 9		1			
004	412315-7	SWITCH LEVER R		1			
005	233621-5	TORSION SPRING 9		1			
006	651083-9	SWITCH C3XA-1PSPM		1			
007	140S92-2	SUB CONTROLLER COMPLETE		1			
C10	8008M5-7	SWITCH LABEL		1			
C20	8008M7-3	INDICATION LABEL		1			
008	183N66-0	GRIP SET		1			
C10	252180-0	HEX. LOCK NUT M5-8		1			
D10		INC. 1					
009	266326-2	TAPPING SCREW 4X18		4			
010	911253-5	PAN HEAD SCREW M5X30		1			
011	412311-5	GRIP JOINT COVER		1			
012	412310-7	GRIP JOINT		1			
013	266326-2	TAPPING SCREW 4X18		8			
014	183N69-4	HOUSING SET		1			
C10	263005-3	RUBBER PIN 6		2			
C20	424344-8	DAMPER		4			
D10		INC. 15					
015	183N69-4	HOUSING SET		1			
C10	263005-3	RUBBER PIN 6		2			
C20	424344-8	DAMPER		4			
D10		INC. 14					
016	266326-2	TAPPING SCREW 4X18		4			
017	856R28-2	DUH604S NAME PLATE		1			
018	856R31-3	DUH604S SERIAL NO. LABEL		1			
019	643874-2	TERMINAL		1			
020	422261-6	RUBBER SLEEVE		1			
021	266490-9	TAPPING SCREW PT 2X6		3			
022	629352-6	STATOR		1			
023	652069-6	FLAT HEAD SCREW M3X6		3			
024	211157-4	BALL BEARING 695ZZ		1			
025	510448-3	ROTOR ASSY		1			
D10		INC. 24,26					
026	210005-4	BALL BEARING 608DDW		1			
027	911128-8	P.H.SCREW M4X16 WITH WR		4			
028	183L66-8	MOTOR HOUSING SET		1	*		
D10		INC. 29					
028-1	183L66-8	MOTOR HOUSING SET	<	1			
D10		INC. 29					
029	183L66-8	MOTOR HOUSING SET		1	*		
D10		INC. 28					

029-1	183L66-8	MOTOR HOUSING SET	<	1		
D10		INC. 28				
030	266326-2	TAPPING SCREW 4X18		4		
031	266326-2	TAPPING SCREW 4X18		4		
032	266326-2	TAPPING SCREW 4X18		6		
033	183P30-3	FRONT GRIP SET		1		
C10	8008M9-9	CAUTION LABEL		1		
D10		INC. 37				
034	651083-9	SWITCH C3XA-1PSPM		1		
035	412316-5	SWITCH LEVER F		1		
036	233621-5	TORSION SPRING 9		1		
037	183P30-3	FRONT GRIP SET		1		
C10	8008M9-9	CAUTION LABEL		1		
D10		INC. 33				
038	251476-6	H.S.H.BOLT M5X35 WITH WR		1	*	
038-1	265D13-4	H.S.H.BOLT M5X35 WITH WRM	O	1		
039	253416-0	DISH WASHER 5		1		
040	422260-8	RUBBER SLEEVE 8		1		
041	422260-8	RUBBER SLEEVE 8		1		
042	257678-2	SLEEVE 6		1		
043	922228-9	H.S.H.BOLT M5X18 WITH WR		1		
044	253416-0	DISH WASHER 5		1		
045	422260-8	RUBBER SLEEVE 8		1		
046	422260-8	RUBBER SLEEVE 8		1		
047	327535-9	CONNECTOR		1		
048	412317-3	LOWER GUARD		1		
049	266326-2	TAPPING SCREW 4X18		2		
050	213961-7	O RING 22		1		
051	140S12-6	GEAR HOUSING COMPLETE		1	*	
C10	424344-8	DAMPER		1	*	
051-1	140S12-6	GEAR HOUSING COMPLETE	O	1		
C10	424344-8	DAMPER		1		
052	422259-3	RUBBER SLEEVE 8		2		
054	211032-4	BALL BEARING 608ZZ		1	*	
054-1	210223-4	BALL BEARING 608ZZ	O	1		
055	347361-0	FRICTION PLATE		1		
056	347662-6	CONNECTING ROD		1		
057	212229-8	NEEDLE CAGE 315		1		
058	140R63-3	GEAR COMPLETE		1		
059	212229-8	NEEDLE CAGE 315		1		
060	347662-6	CONNECTING ROD		1		
061	347361-0	FRICTION PLATE		1		
062	211499-6	BALL BEARING 626ZZ		1		
063	443159-4	SEAL		1		
064	140B62-9	GEAR HOUSING COVER COMPLETE		1	*	
064-1	140B62-9	GEAR HOUSING COVER COMPLETE	O	1		
065	266559-9	H.S.BUTTON HEAD BOLT M6X4		1		
066	922128-3	HEX. SOCKET HEAD BOLT M4X16		6		
067	310983-9	SLEEVE 5		3		
068	253804-1	FLAT WASHER 6		3	*	

069	265182-7	+ PAN HEAD SCREW M5X25		3	*		
069-1	265B66-1	+ PAN HEAD SCREW M5X25 WIT H WR	S	3			
070	191D38-1	SHEAR BLADE ASSEMBLY 600 E S ET		1	*		
C10	188605-7	OIL VESSEL SET		1	*		
C20	310983-9	SLEEVE 5		6	*		
D10		INC. 67					
070-1	191Y03-6	SHEAR BLADE 600E SET	<	1			
C10	188605-7	OIL VESSEL SET		1			
C20	310983-9	SLEEVE 5		6			
C30	347962-4	GUARD		1			
D10		INC. 67					
071	191D33-1	CHIP RECEIVER 600E SET		1			
072	915211-3	BINDING HEAD SCREW M5X12		4			
073	620B95-5	CONTROLLER		1			
A01	412769-8	BLADE COVER 600		1			
E01	800A66-4	SOUND 91DB LABEL		1			
F01-1	199450-5	GREASE VESSEL SET	O	1			
A03	450128-8	BATTERY COVER		2			
A04	197422-4	BATTERY BL1860B SET		2			
A05	***DC18RC	DC18RC FAST CHARGER		1			
D10		COMPO-PARTS					

Please state Parts No. when your order.

Print Date 26/10/2023