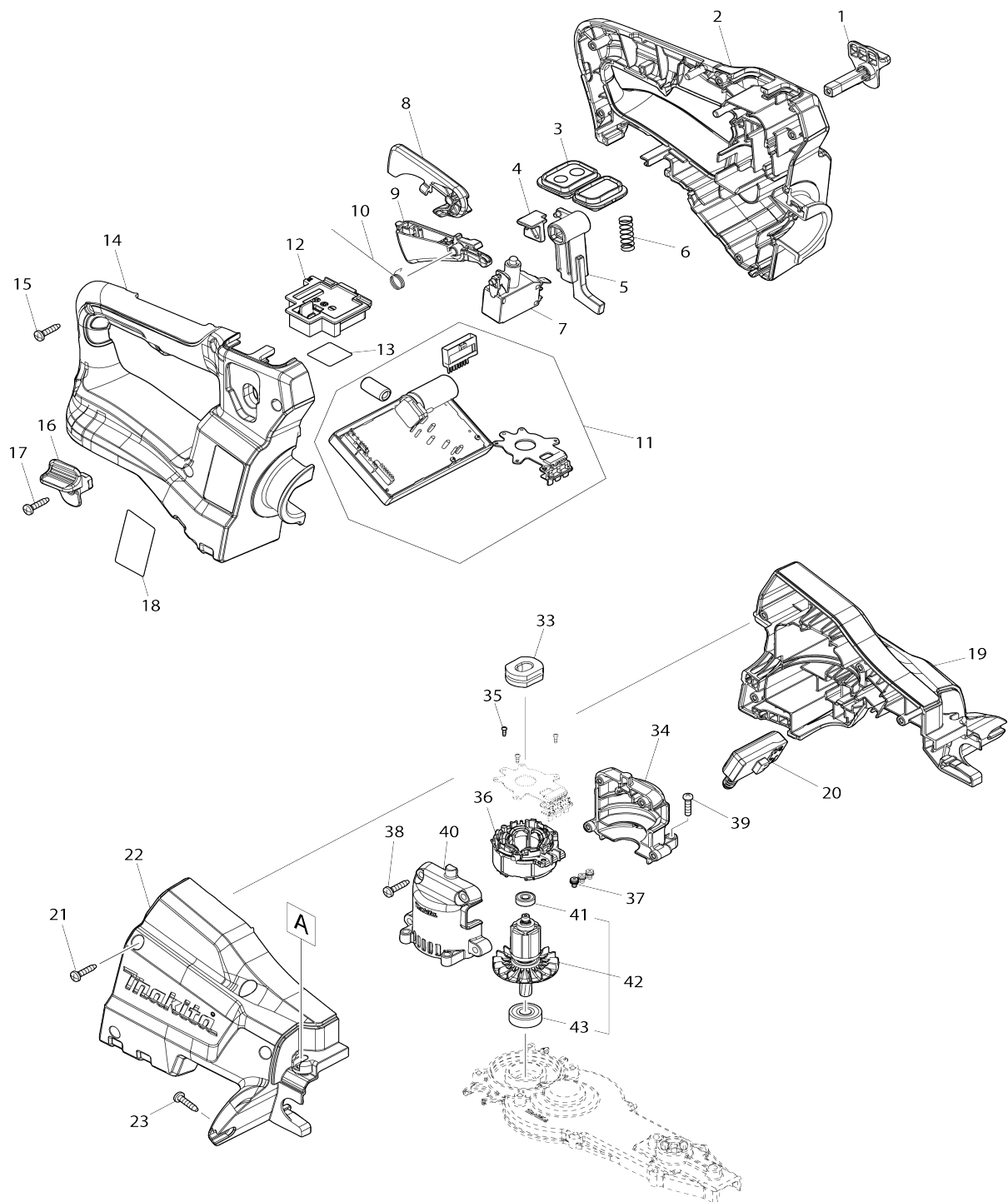
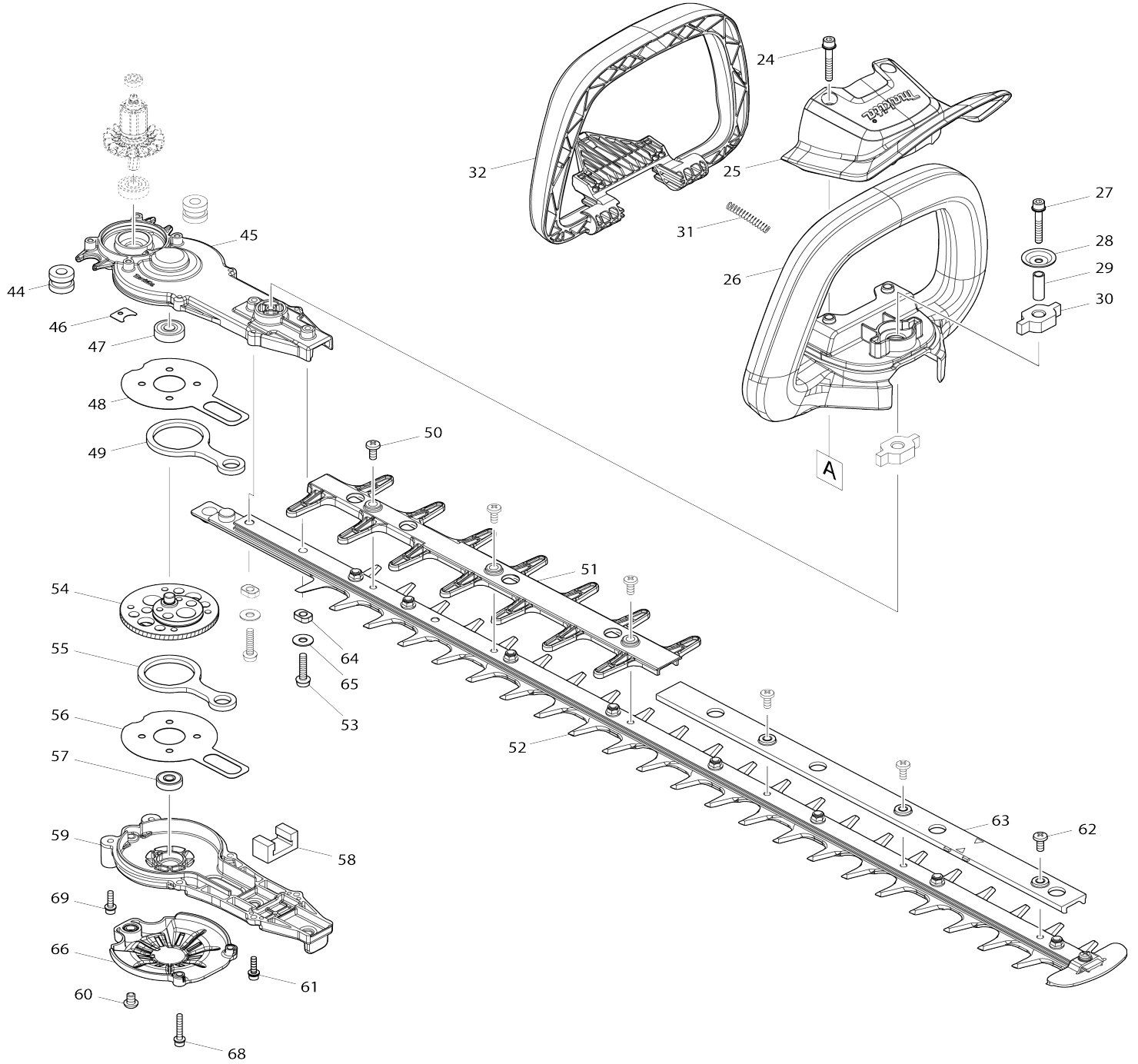


Model No. DUH751 750MM CORDLESS HEDGE TRIMMER



Model No. DUH751 750MM CORDLESS HEDGE TRIMMER



Model No.DUH751 750MM CORDLESS HEDGE TRIMMER

Item No.	Parts No.	Description	Interchangability	Q'ty	New/Old	Note1	Note2
001	458406-0	LOCK LEVER L		1			
002	183J51-9	HANDLE SET		1			
C10	263005-3	RUBBER PIN 6		2			
D10		INC. 14					
003	140A04-7	SUB CONTROLLER COMPLETE		1			
C10	806G56-1	INDICATION LABEL		1			
C20	817C42-3	SWITCH LABEL		1			
004	458570-7	SLIDER		1			
005	458405-2	LOCK ARM		1			
006	234204-4	COMPRESSION SPRING 8		1			
007	650781-2	SWITCH C3JW-6B-P		1			
008	458403-6	LOCK OFF LEVER		1			
009	458404-4	SWITCH LEVER R		1			
010	232454-5	TORSION SPRING 10		1			
011	620818-9	CONTROLLER		1	*		
011-1	620B18-3	CONTROLLER	O	1	*		
011-2	620E32-7	CONTROLLER	<	1	*		
011-3	620K06-4	CONTROLLER	<	1	*		
011-4	620M96-9	CONTROLLER	<	1			
012	644809-6	TERMINAL		1			
013	854K25-0	DUH751 SERIAL NO. LABEL		1			
014	183J51-9	HANDLE SET		1			
C10	263005-3	RUBBER PIN 6		2			
D10		INC. 2					
015	266326-2	TAPPING SCREW 4X18		6	*		
015-1	265B67-9	TAPPING SCREW 4X18	O	6			
016	458407-8	LOCK LEVER R		1			
017	266326-2	TAPPING SCREW 4X18		1	*		
017-1	265B67-9	TAPPING SCREW 4X18	O	1			
018	854K19-5	DUH751 NAME PLATE		1			
019	183K21-4	HOUSING SET		1			
C10	252143-6	COLLARED HEX.NUT M5-8		2			
C20	424344-8	DAMPER		4			
D10		INC. 22					
020	651083-9	SWITCH C3XA-1PSPM		1			
021	266326-2	TAPPING SCREW 4X18		4	*		
021-1	265B67-9	TAPPING SCREW 4X18	O	4			
022	183K21-4	HOUSING SET		1			
C10	252143-6	COLLARED HEX.NUT M5-8		2			
C20	424344-8	DAMPER		4			
D10		INC. 19					
023	266326-2	TAPPING SCREW 4X18		2	*		
023-1	265B67-9	TAPPING SCREW 4X18	O	2			
024	265182-7	+ PAN HEAD SCREW M5X25		2			
025	458399-1	PROTECTOR		1			
026	458400-2	FRONT GRIP E		1			
027	251476-6	H.S.H.BOLT M5X35 WITH WR		1	*		

027-1	265D13-4	H.S.H.BOLT M5X35 WITH WRM	O	1		
028	253416-0	DISH WASHER 5		1		
029	257678-2	SLEEVE 6		1		
030	422260-8	RUBBER SLEEVE 8		2		
031	233222-9	COMPRESSION SPRING 5		1	*	
031-1	233222-9	COMPRESSION SPRING 5	O	2		
032	458402-8	SWITCH LEVER F		1		
033	422261-6	RUBBER SLEEVE		1		
034	183J52-7	MOTOR HOUSING SET		1	*	
D10		INC. 40				
034-1	183L66-8	MOTOR HOUSING SET	<	1	*	
D10		INC. 40				
034-2	183L66-8	MOTOR HOUSING SET	<	1		
D10		INC. 40				
035	266490-9	TAPPING SCREW PT 2X6		3	*	
035-1	265C47-1	TAPPING SCREW PT 2X6	O	3		
036	629352-6	STATOR		1		
037	652069-6	FLAT HEAD SCREW M3X6		3		
038	266326-2	TAPPING SCREW 4X18		4	*	
038-1	265B67-9	TAPPING SCREW 4X18	O	4		
039	265178-8	PAN HEAD SCREW M4X16		4	*	
039-1	911128-8	P.H.SCREW M4X16 WITH WR	O	4		
040	183J52-7	MOTOR HOUSING SET		1	*	
D10		INC. 34				
040-1	183L66-8	MOTOR HOUSING SET	<	1	*	
D10		INC. 34				
040-2	183L66-8	MOTOR HOUSING SET	<	1		
D10		INC. 34				
041	211157-4	BALL BEARING 695ZZ		1		
042	519522-4	ROTOR ASSY		1	*	
D10		INC. 41,43				
042-1	519557-5	ROTOR ASSY	<	1	*	
D10		INC. 41,43				
042-2	510450-6	ROTOR ASSY	<	1	*	
D10		INC. 41,43				
042-3	510450-6	ROTOR ASSY	O	1		
D10		INC. 41,43				
043	211032-4	BALL BEARING 608ZZ		1	*	
043-1	210005-4	BALL BEARING 608DDW	<	1		
044	422259-3	RUBBER SLEEVE 8		2		
045	140F22-5	GEAR HOUSING COMPLETE		1	*	
C10	424344-8	DAMPER		1	*	
045-1	136278-0	GEAR HOUSING ASSEMBLY	S	1	*	
C10	424344-8	DAMPER		1	*	
C20	213961-7	O RING 22		1	*	
045-2	136278-0	GEAR HOUSING ASSEMBLY	O	1	*	
C10	424344-8	DAMPER		1	*	
C20	213961-7	O RING 22		1	*	
045-3	136278-0	GEAR HOUSING ASSEMBLY	O	1		
C10	424344-8	DAMPER		1		
C20	213961-7	O RING 22		1		
046	458417-5	GASKET		1	*	

047	211032-4	BALL BEARING 608ZZ		1			
048	347361-0	FRICION PLATE		1			
049	347362-8	CONNECTING ROD		1			
050	915211-3	BINDING HEAD SCREW M5X12		3			
051	458408-6	GUARD E		1	*		
051-1	412908-0	GUARD E	S	1			
052	199100-2	SHEAR BLADE ASSEMBLY 750 SET		1	*		
C10	345205-8	BRANCH CATCHER		1	*		
C20	911208-0	PAN HEAD SCREW M5X10		1	*		
052-1	199100-2	SHEAR BLADE ASSEMBLY 750 SET	<	1	*		
C10	345205-8	BRANCH CATCHER		1	*		
C20	911208-0	PAN HEAD SCREW M5X10		1	*		
052-2	191R54-7	SHEAR BLADE 750 SET	<	1	*		
C10	345205-8	BRANCH CATCHER		1	*		
C20	911208-0	PAN HEAD SCREW M5X10		1	*		
C30	252311-1	COLLARED HEX. LOCK NUT M5-8		8	*		
052-3	191R54-7	SHEAR BLADE 750 SET	O	1			
C10	345205-8	BRANCH CATCHER		1			
C20	911208-0	PAN HEAD SCREW M5X10		1			
C30	252311-1	COLLARED HEX. LOCK NUT M5-8		8			
C40	257439-0	SLEEVE 5		8			
C50	253558-0	FLAT WASHER 5		8			
C60	265181-9	+TRUSS HEAD SCREW M5X20		8			
D10		INC. 50,51,62-64					
053	265182-7	+ PAN HEAD SCREW M5X25		2	*		
053-1	265B66-1	+ PAN HEAD SCREW M5X25 WITH WR	S	2			
054	140B79-2	GEAR COMPLETE		1			
055	347362-8	CONNECTING ROD		1			
056	347361-0	FRICION PLATE		1			
057	211499-6	BALL BEARING 626ZZ		1			
058	443159-4	SEAL		1			
059	140B62-9	GEAR HOUSING COVER COMPLETE		1	*		
059-1	140B62-9	GEAR HOUSING COVER COMPLETE	O	1			
060	266559-9	H.S.BUTTON HEAD BOLT M6X4		1	*		
060-1	265338-2	H.S.BOTTON HEAD BOLT M6X8	<	1			
061	265490-6	HEX. SOCKET HEAD BOLT M4X16		6	*		
061-1	266437-3	HEX. SOCKET HEAD BOLT M4X16	<	6	*		
061-2	265A29-1	HEX. SOCKET HEAD BOLT M4X16 WRM	<	2			
062	915211-3	BINDING HEAD SCREW M5X12		3			
063	458629-0	SPACER 750		1	*		
063-1	459116-2	SPACER 750H	O	1			
064	257439-0	SLEEVE 5		2			
065	253804-1	FLAT WASHER 6		2	*		
066	458907-8	UNDER COVER		1			
068	265698-2	HEX. SOCKET HEAD BOLT M4X25 WRM		2			
069	265A29-1	HEX. SOCKET HEAD BOLT M4X16 WRM		2			

A01	458415-9	BLADE COVER 750		1	*		
A01-1	412912-9	BLADE COVER 750	S	1			
A02	195246-2	SAFETY GOGGLE		1	*		
E01	891003-3	SOUND 93DB LABEL		1			
F01-2	199450-5	GREASE VESSEL SET	O	1			
F04-2	191R54-7	SHEAR BLADE 750 SET	<	1			

Please state Parts No. when your order.

Print Date 01/26/2024