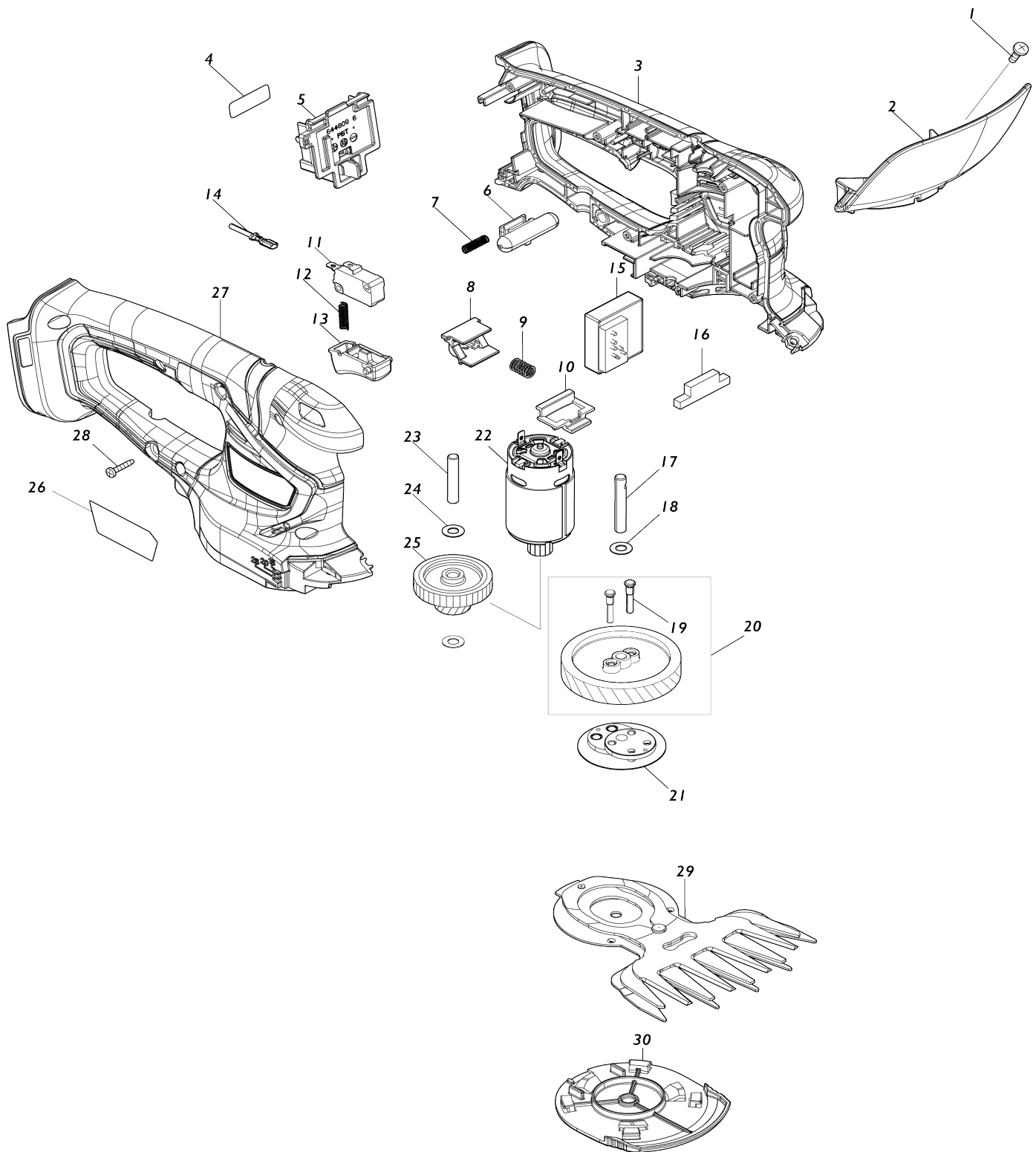


# Model No.DUM111 110MM CORDLESS GRASS SHEAR



Model No.DUM111 110MM CORDLESS GRASS SHEAR

Item No.	Parts No.	Description	Interchangability	Q'ty	New/Old	Note1	Note2
001	915116-7	BINDING HEAD SCREW M4X12		1			
002	141C31-9	PROTECTOR COMPLETE		1	*		
C10	8030K3-8	CAUTION LABEL		1	*		
002-1	140V97-0	PROTECTOR COMPLETE	<	1	*		
C10	819948-3	CAUTION LABEL		1	*		
002-2	1410D3-4	PROTECTOR COMPLETE	O	1			
C12	8072W3-6	CAUTION LABEL	O	1			
003	183G03-2	HOUSING SET		1	*		
C10	931102-0	HEX. NUT M4		1	*		
C20	346275-0	PLATE		2	*		
C30	263005-3	RUBBER PIN 6		2	*		
D10		INC. 27					
003-1	183U53-1	HOUSING SET	S	1			
C10	931102-0	HEX. NUT M4		1			
C20	346275-0	PLATE		2			
C30	263005-3	RUBBER PIN 6		2			
D10		INC. 27					
004	811957-8	DUM111 SERIAL NO. LABEL		1			
005	644809-6	TERMINAL		1	*		
005-1	643852-2	TERMINAL	<	1			
006	452438-9	LOCK OFF BUTTON		1	*		
006-1	413A16-6	LOCK OFF BUTTON	S	1			
007	231473-8	COMPRESSION SPRING 4		1			
008	457534-8	SLIDE PLATE		1			
009	234339-1	COMPRESSION SPRING 6		1			
010	454879-5	LOCK LEVER		1			
011	650744-8	SWITCH D3V-16-3C26		1			
012	231473-8	COMPRESSION SPRING 4		1			
013	417564-1	SWITCH LEVER		1			
014	632S19-1	LEAD UNIT		1			
015	620E35-1	CONTROLLER		1			
016	451814-4	DUST GUARD		1			
017	268254-7	PIN 6		1			
018	253715-0	FLAT WASHER 6		1			
019	268256-3	PIN 4		2			
020	135883-0	HELICAL GEAR 47 ASS'Y		1			
D10		INC. 19					
021	161598-3	CRANK COMPLETE		1			
022	629945-9	DC MOTOR		1			
023	268076-5	PIN 6		1			
024	253715-0	FLAT WASHER 6		2			
025	226831-1	GEAR 12-31		1			
026	811949-7	DUM111 NAME PLATE		1			
027	183G03-2	HOUSING SET		1	*		
C10	931102-0	HEX. NUT M4		1	*		
C20	346275-0	PLATE		2	*		
C30	263005-3	RUBBER PIN 6		2	*		

D10		INC. 3				
027-1	183U53-1	HOUSING SET	S	1		
C10	931102-0	HEX. NUT M4		1		
C20	346275-0	PLATE		2		
C30	263005-3	RUBBER PIN 6		2		
D10		INC. 3				
028	266429-2	TAPPING SCREW 3X16		6		
029	191N23-4	SHEAR BLADE ASSEMBLY 110 SET		1		
C10	188369-3	OIL VESSEL SET		1		
030	140451-6	UNDER COVER COMPLETE		1		
A01	191N24-2	SHEAR BLADE ASSEMBLY 200S SET		1		
C10	188369-3	OIL VESSEL SET		1		
A02	413885-9	BLADE COVER 110		1		
A03	413429-5	STORAGE COVER		1		
A04	458342-0	BLADE COVER		1		
A05	450128-8	BATTERY COVER		1		
A06	***DC18SD	DC18SD BATTERY CHARGER		1	*	
D10		COMPO-PARTS				
A06-1	***DC18SD	DC18SD BATTERY CHARGER	O	1		
D10		COMPO-PARTS				
A07	196235-0	BATTERY BL1815N SET		1		
E01	8030P0-9	SOUND XXDB LABEL		1		
F01	191N23-4	SHEAR BLADE ASSEMBLY 110 SET		1		
F02	191N24-2	SHEAR BLADE ASSEMBLY 200S SET		1		
F03	191N25-0	GRASS RECEIVER 110 SET		1		
C10	454880-0	GRASS RECEIVER 110		1		
F04	195267-4	SHEAR BLADE ASSEMBLY SET		1		
F06	198401-5	CHIP RECEIVER SET		1		
F07	198408-1	SHEAR BLADE ASSEMBLY 200 S SET		1		
F08	198412-0	GRASS RECEIVER 160 SET		1		
C10	457426-1	GRASS RECEIVER 160		1		

Please state Parts No. when your order.

Print Date 02/19/2024