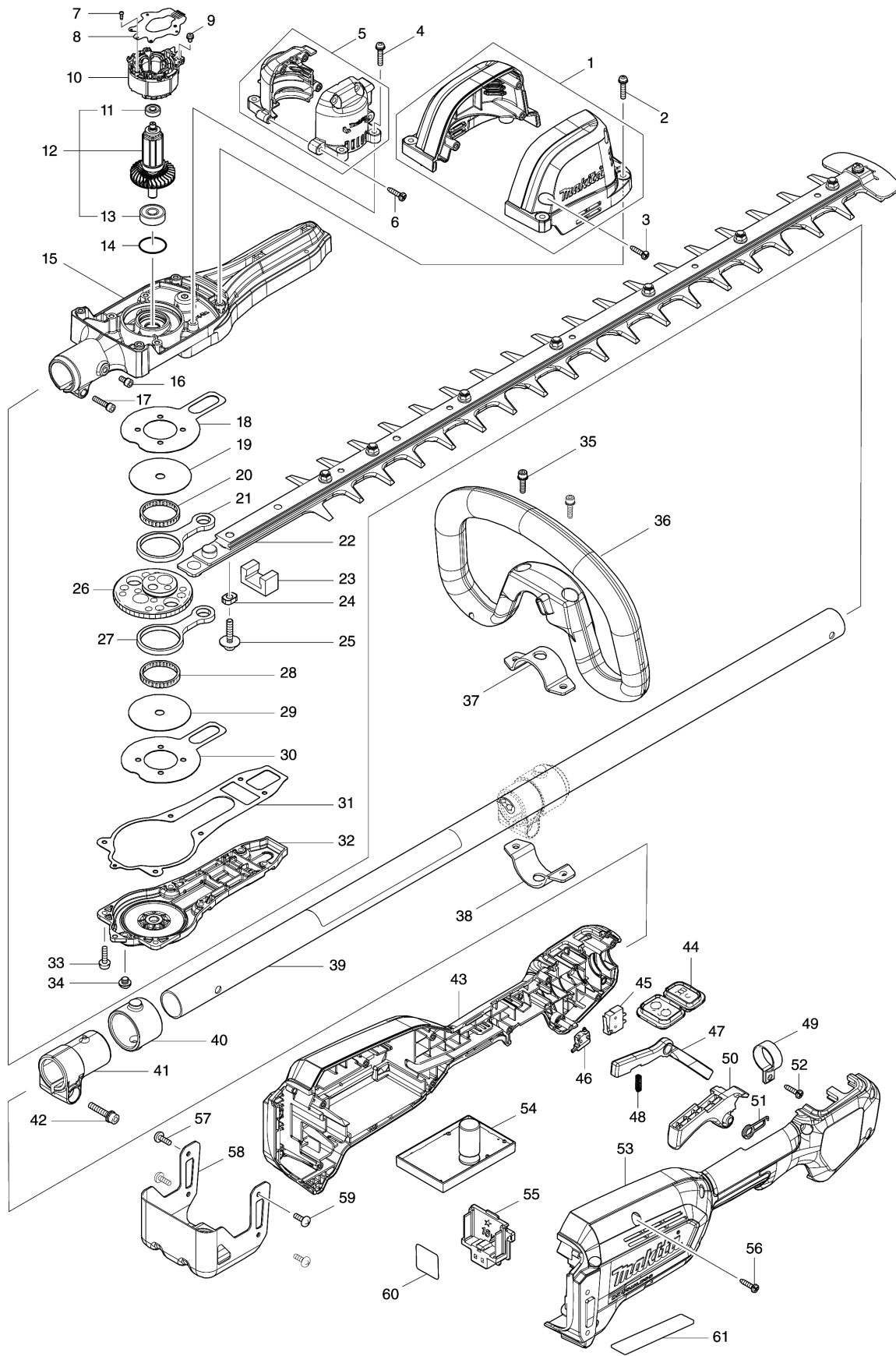


Model No.DUN600L CORDLESS POLE HEDGE TRIMMER



Model No.DUN600L CORDLESS POLE HEDGE TRIMMER

Item	Parts No.	Description	I/C	Qty	New/Old	Opt. 1	Opt. 2	Note
001	183N84-8	HOUSING SET		1				
002	911138-5	P.H.SCREW M4X20 WITH WR		4				
003	266326-2	TAPPING SCREW 4X18		3				
004	911138-5	P.H.SCREW M4X20 WITH WR		4				
005	183N83-0	MOTOR HOUSING SET		1				
006	266326-2	TAPPING SCREW 4X18		4				
007	266490-9	TAPPING SCREW PT 2X6		3				
008	620B02-8	CONTROLLER B		1				
009	652069-6	FLAT HEAD SCREW M3X6		3				
010	629352-6	STATOR		1				
011	211157-4	BALL BEARING 695ZZ		1				
012	519598-1	ROTOR ASSY		1				
D10		INC. 11,13						
013	210005-4	BALL BEARING 608DDW		1				
014	213961-7	O RING 22		1				
015	140R16-2	GEAR HOUSING COMPLETE		1				
016	922211-6	H.S.H.BOLT M5X12 WITH W		1				
017	922241-7	HEX. SOCKET HEAD BOLT M5X25		1				
018	347361-0	FRICITION PLATE		1				
019	347661-8	PLATE		1				
020	212229-8	NEEDLE CAGE 315		1				
021	347662-6	CONNECTING ROD		1				
022	191C13-1	SHEAR BLADE 600 SET		1				
C10	197438-9	GREASE VESSEL SET(D)		1	*			
C11	199450-5	GREASE VESSEL SET	O	1	*			
C12	199450-5	GREASE VESSEL SET	O	1				
C20	345205-8	BRANCH CATCHER		1				
C30	911208-0	PAN HEAD SCREW M5X10		1				
C40	252311-1	COLLARED HEX. LOCK NUT M5-8		7				
C50	257439-0	SLEEVE 5		7				
C60	253558-0	FLAT WASHER 5		7				
C70	265181-9	+TRUSS HEAD SCREW M5X20		7				
D10		INC. 24						
023	443159-4	SEAL		1				
024	257439-0	SLEEVE 5		2				
025	265A89-3	H.S.H.BOLT M5X25 WITH WR		2				
026	226958-7	HELICAL GEAR 68		1				
027	347662-6	CONNECTING ROD		1				
028	212229-8	NEEDLE CAGE 315		1				
029	347661-8	PLATE		1				
030	347361-0	FRICITION PLATE		1				
031	422568-0	GEAR HOUSING GASKET		1				
032	319949-6	GEAR HOUSING COVER		1				
033	922128-3	HEX. SOCKET HEAD BOLT M4X16		6				

Please order the parts with part number.

Print Date 26/10/2023

Model No.DUN600L CORDLESS POLE HEDGE TRIMMER

Item	Parts No.	Description	I/C	Qty	New/Old	Opt. 1	Opt. 2	Note
034	266559-9	H.S.BUTTON HEAD BOLT M6X4		1				
035	922233-6	H.S.H.BOLT M5X20 WITH WR		2				
036	457772-2	LOOP HANDLE		1				
037	347113-9	UPPER CLAMP 35		1				
038	347114-7	LOWER CLAMP 35		1				
039	140R19-6	PIPE 24 COMPLETE		1				
C10	8008A7-9	CAUTION LABEL		1				
C20	808723-2	CAUTION LABEL		1				
040	424942-8	DAMPER		1				
041	457269-1	PIPE HOLDER 24		1				
042	922244-1	H.S.H.BOLT M5X25 WITH WG		1				
043	183N92-9	GRIP HOUSING SET		1				
C10	263005-3	RUBBER PIN 6		2				
C20	252126-6	HEX. LOCK NUT M4-7		4				
D10		INC. 53						
044	140R24-3	SUB CONTROLLER COMPLETE		1				
C10	8008M5-7	SWITCH LABEL		1				
045	632E26-0	SWITCH UNIT		1				
046	632L49-0	SWITCH UNIT		1				
047	457773-0	LOCK OFF LEVER		1				
048	233101-1	COMPRESSION SPRING 4		1				
049	346248-3	CLAMP 24		1				
050	412285-0	SWITCH LEVER		1				
051	233612-6	TORSION SPRING 10		1				
052	266326-2	TAPPING SCREW 4X18		1				
053	183N92-9	GRIP HOUSING SET		1				
C10	263005-3	RUBBER PIN 6		2				
C20	252126-6	HEX. LOCK NUT M4-7		4				
D10		INC. 43						
054	620C75-7	CONTROLLER		1				
055	644809-6	TERMINAL		1				
056	266326-2	TAPPING SCREW 4X18		9				
057	251314-2	+ SCREW M4X12		2				
058	347655-3	BATTERY GUARD		1				
059	251314-2	+ SCREW M4X12		2				
060	856T67-4	DUN600L SERIAL NO. LABEL		1				
061	856T62-4	DUN600L NAME PLATE		1				
A01	783202-0	HEX. WRENCH 4		1				
A02	458414-1	BLADE COVER 600		1				
E01	807950-8	SOUND 95DB LABEL		1				
E02	632P62-2	LEAD UNIT		1				
E03	632P78-7	LEAD UNIT		1				
F01	191C13-1	SHEAR BLADE 600 SET		1				
F04-1	1910M6-1	CHIP RECEIVER 600 SET	<	1				

Please order the parts with part number.

Print Date 26/10/2023