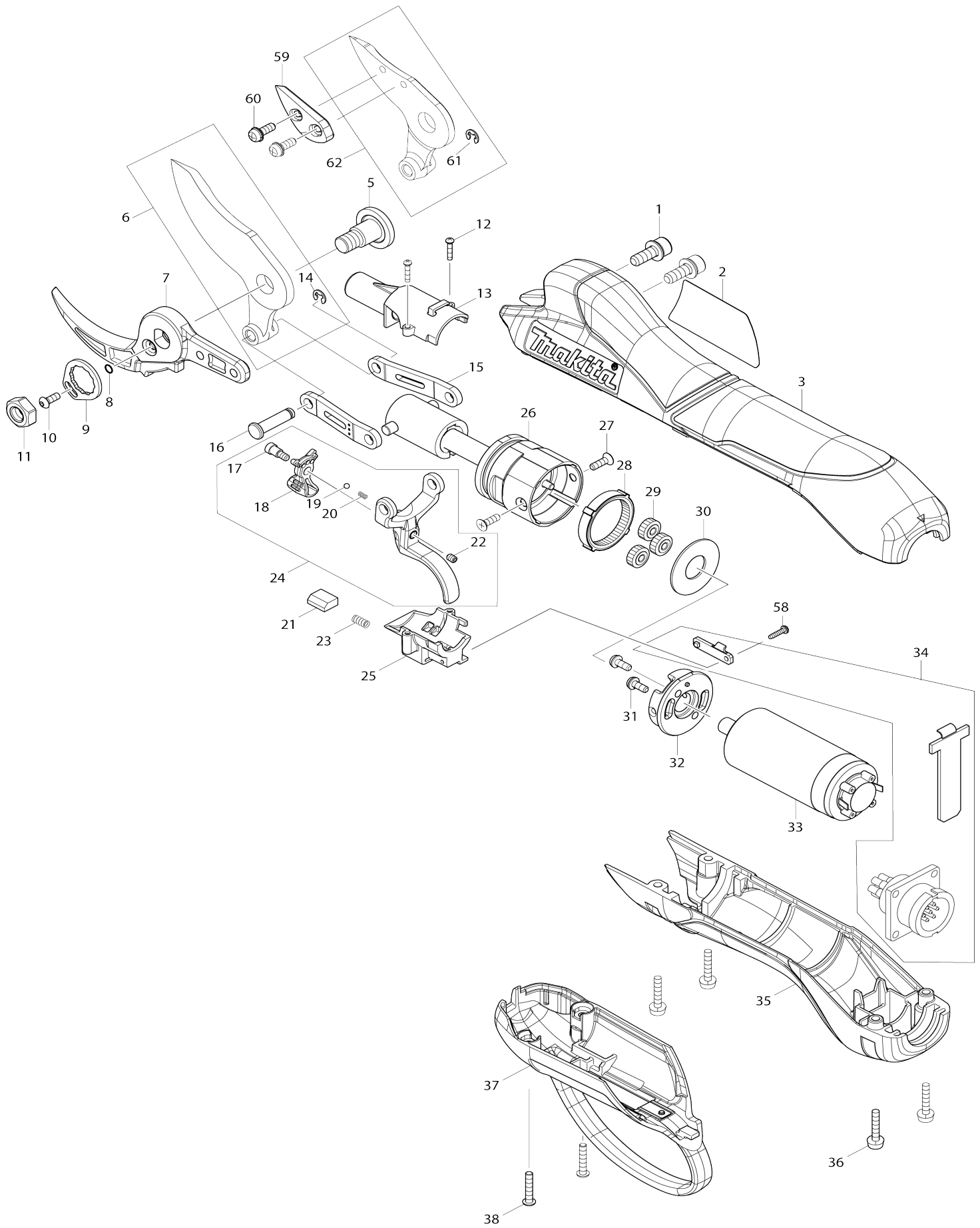
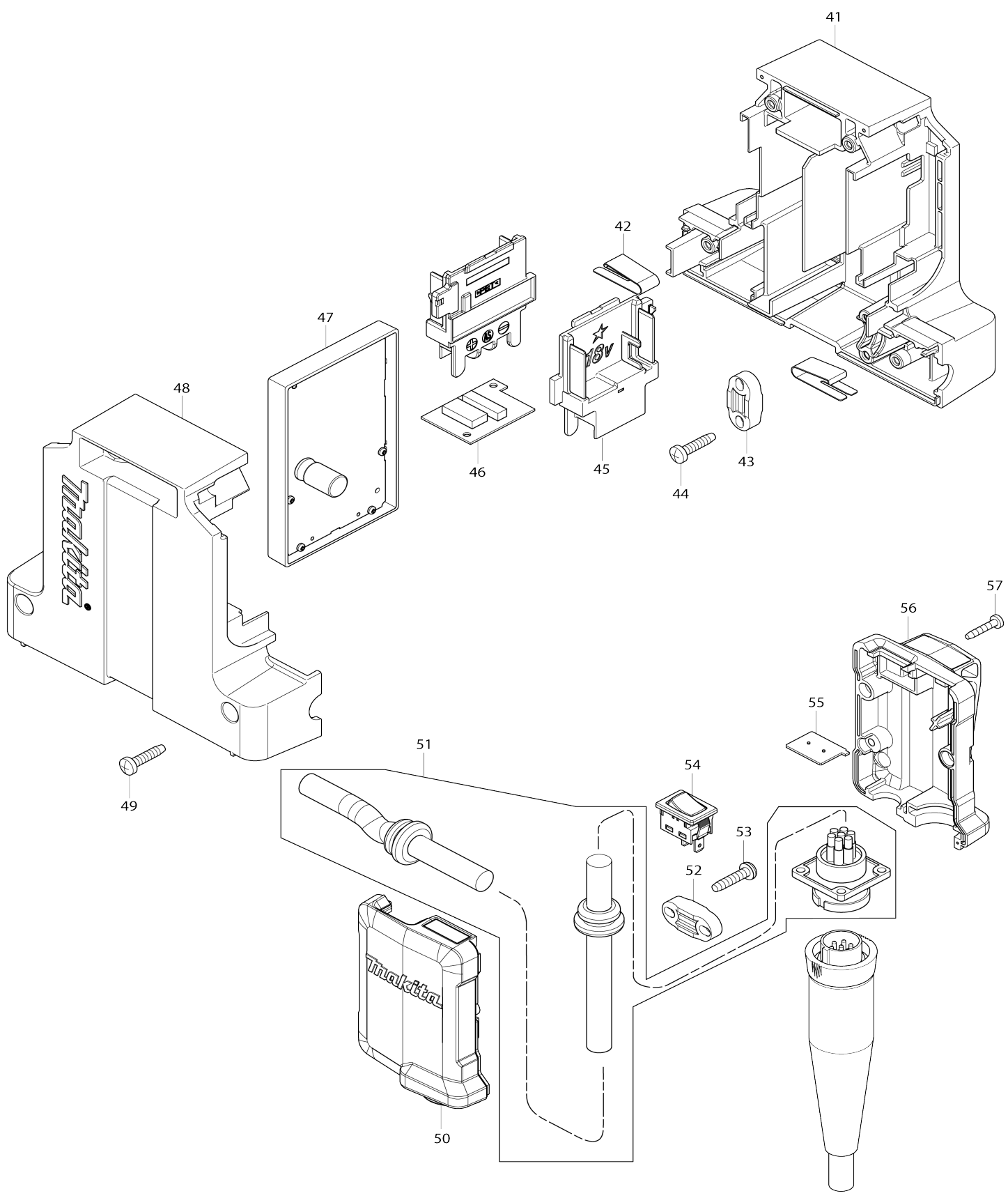


Model No.DUP361 BATTERY POWERED PRUNING SHEARS



Model No. DUP361 BATTERY POWERED PRUNING SHEARS



Model No.DUP361 BATTERY POWERED PRUNING SHEARS

Item No.	Parts No.	Description	Interchangeability	Q'ty	New/Old	Note1	Note2
001	251485-5	H.S.H.BOLT M5X14 WITH WR		2	*		
001-1	251490-2	H.S.H.BOLT M5X14 WITH WR	<	2			
002	851F32-4	DUP361 NAME PLATE		1			
003	456209-6	UPPER HOUSING		1			
005	251474-0	SHOULDER SCREW M8		1			
006	197366-8	SHEAR BLADE U SET		1			
D10		INC. 14					
007	197367-6	SHEAR BLADE L SET(EU)		1	*		
007-1	197749-2	SHEAR BLADE L SET	O	1			
008	213034-6	O RING 3		1			
009	346940-1	LOCK PLATE		1			
010	266557-3	H.S.BUTTON HEAD BOLT M3X8		1			
011	264118-3	HEX. NUT M8		1			
012	266786-8	+ PAN HEAD TAPPING SCREW 2X10		2			
013	456218-5	BALL NUT COVER B		1			
014	961011-9	STOP RING E-4		1			
015	346941-9	LINK ARM		2	*		
015-1	347165-0	LINK ARM	<	2			
016	256568-6	FLAT FILLISTER HD.PIN 5		1			
017	251484-7	+ FLAT HEAD SCREW M3X4		1			
018	456215-1	LEVER		1			
019	216031-1	STEEL BALL 2.3		1			
020	233491-2	COMPRESSION SPRING 2		1			
021	688189-0	MAGNET		1			
022	266999-1	H.S.SET SCREW(FLAT POINT)M3X4		1			
023	231397-8	COMPRESSION SPRING 4		1			
024	123536-3	TRIGGER ASS'Y		1			
D10		INC. 17-20,22					
025	456217-7	BALL NUT COVER A		1			
026	123458-7	BALL SCREW ASSEMBLY		1	*		
026-1	127418-1	BALL SCREW ASSEMBLY	<	1			
027	912012-0	C.H.SCREW M3X10		2			
028	227390-8	INTERNAL GEAR 48		1			
029	227389-3	SPUR GEAR 18		3			
030	253810-6	FLAT WASHER 12		1			
031	911006-2	PAN HEAD SCREW M3X8		2			
032	319349-0	MOTOR HOLDER		1			
033	629160-5	DC MOTOR		1			
034	620459-1	SUB CONTROLLER		1			
035	456211-9	LOWER HOUSING		1			
036	911028-2	PAN HEAD SCREW M3X16		4			
037	143633-9	FRONT HOUSING COMPLETE		1	*		
C10	807L80-7	INDICATION LABEL		1	*		
037-1	143935-3	FRONT HOUSING COMPLETE	<	1			
C10	807L80-7	INDICATION LABEL		1			
038	266980-2	HEX.S.BUTTON HEAD SCREW M3		2			

		X16				
041	183B69-2	CONTROLLER HOUSING SET		1		
D10		INC. 48				
042	232267-4	LEAF SPRING		2		
043	687053-2	STRAIN RELIEF		1		
044	265995-6	TAPPING SCREW 4X18		2		
045	643899-6	TERMINAL		2		
046	620461-4	RF UNIT		1		
047	620458-3	CONTROLLER		1		
048	183B69-2	CONTROLLER HOUSING SET		1		
D10		INC. 41				
049	265995-6	TAPPING SCREW 4X18		4		
050	183B76-5	SWITCH HOUSING SET		1	*	
C10	807E89-7	INDICATION LABEL		1	*	
C20	807F74-6	CAUTION LABEL		1	*	
D10		INC. 56				
050-1	1830P3-2	SWITCH HOUSING SET	O	1		
C10	807E89-7	INDICATION LABEL		1		
C21	8072W0-2	CAUTION LABEL	O	1		
D10		INC. 56				
051	699070-0	POWER SUPPLY CORD UNIT		1	*	
051-1	699086-5	POWER SUPPLY CORD UNIT	<	1		
052	687053-2	STRAIN RELIEF		1		
053	265995-6	TAPPING SCREW 4X18		2		
054	651536-8	SWITCH 1941. 1451		1		
055	620460-6	LED CIRCUIT		1		
056	183B76-5	SWITCH HOUSING SET		1	*	
C10	807E89-7	INDICATION LABEL		1	*	
C20	807F74-6	CAUTION LABEL		1	*	
D10		INC. 50				
056-1	1830P3-2	SWITCH HOUSING SET	O	1		
C10	807E89-7	INDICATION LABEL		1		
C21	8072W0-2	CAUTION LABEL	O	1		
D10		INC. 50				
057	266429-2	TAPPING SCREW 3X16		3	*	
057-1	266130-9	TAPPING SCREW BIND PT 3X16	O	3		
058	266786-8	+ PAN HEAD TAPPING SCREW 2X 10		1		
A01	154511-8	CORD HOLDER COMPLETE		1		
A02	161377-9	HARNESS		1		
A03	161379-5	HOLSTER		1		
A04	166062-9	ARM BAND		1		
A05	182470-6	OIL SUPPLY		1		
A06	661430-6	CONNECTION CORD		1	*	
A06-1	661445-3	CONNECTION CORD	<	1		
A07	794530-8	DIAMOND FILE 140		1		
A08	782212-4	SOCKET WRENCH 13		1		
A09	783021-4	HEX. WRENCH 1.5		1		
A10	783202-0	HEX. WRENCH 4		1		
A11	783214-3	HEX.SOCKET SCREW KEY 2		1		
A12	831284-7	TOOL BAG		1		
A13	197366-8	SHEAR BLADE U SET		1		

C10	961011-9	STOP RING E-4		1			
A17	630999-1	CONTROLLER		1	*		
B01	630999-1	CONTROLLER		1	*		
D10		INC. 41-57					
B01-1	630E76-9	CONTROLLER	O	1			
D10		INC. 41-57					
F03-1	197265-4	BATTERY BL1840B SET	O	1			
F04-1	197267-0	BATTERY BL1840B SET	O	1			
F08-1	197273-5	BATTERY BL1840B SET(2PIECES)	O	1			
F10	197748-4	SHEAR BLADE U SET		1	*		

Please state Parts No. when your order.

Print Date 02/19/2024