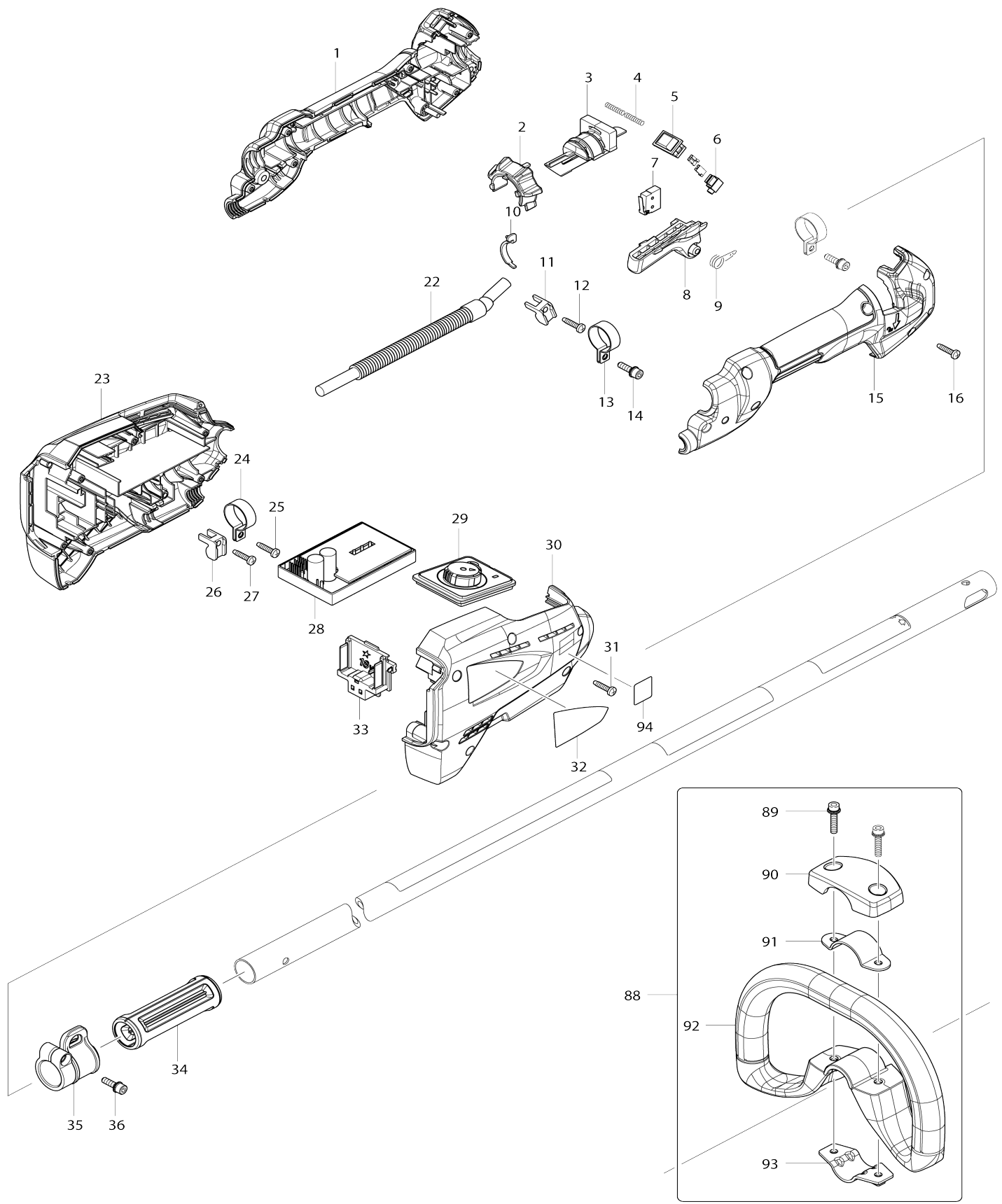
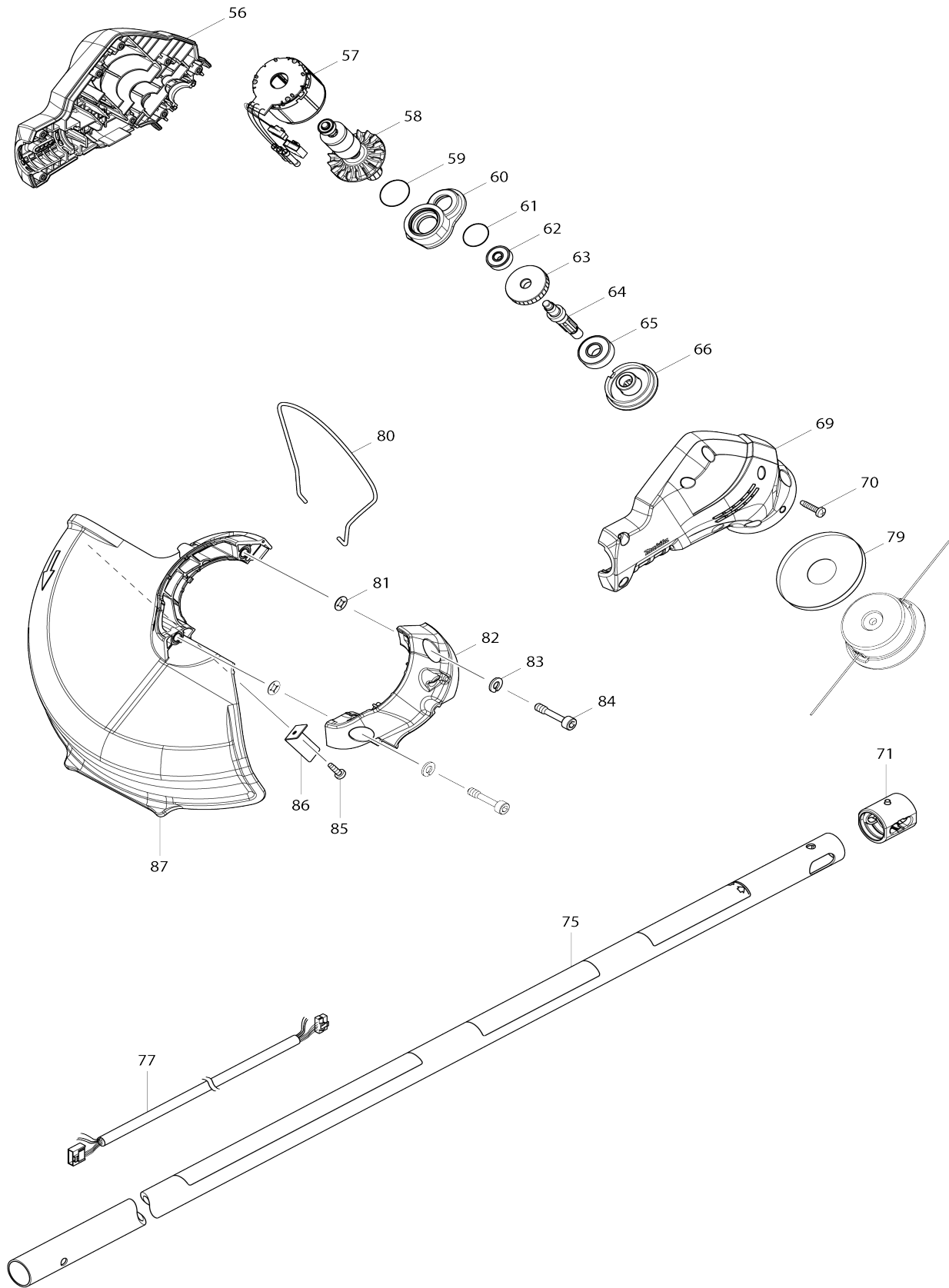


Model No.DUR182L CORDLESS GRASS TRIMMER



Model No.DUR182L CORDLESS GRASS TRIMMER



Model No.DUR182L CORDLESS GRASS TRIMMER

Item No.	Parts No.	Description	Interchangeability	Q'ty	New/Old	Note1	Note2
001	187698-1	GRIP SET		1			
D10		INC. 15					
002	454737-5	LOCK OFF LEVER		1			
003	454738-3	LEVER BASE		1			
004	234079-1	COMPRESSION SPRING 4		2			
005	651533-4	SWITCH SLE6A2-33		1			
006	686015-7	RECEPTACLE SLEEVE		1			
007	650704-0	SWITCH D2SW-P01L1-3M		1			
008	454736-7	SWITCH LEVER		1			
009	233612-6	TORSION SPRING 10		1			
010	451985-7	LEAD COVER		1			
011	687261-5	STRAIN RELIEF		1			
012	265995-6	TAPPING SCREW 4X18		1			
013	346248-3	CLAMP 24		2			
014	922228-9	H.S.H.BOLT M5X18 WITH WR		2			
015	187698-1	GRIP SET		1			
D10		INC. 1					
016	265995-6	TAPPING SCREW 4X18		6			
022	699064-5	POWER SUPPLY CORD UNIT		1			
023	187665-6	HOUSING SET		1			
C10	263005-3	RUBBER PIN 6		2			
D10		INC. 30					
024	346248-3	CLAMP 24		1			
025	265995-6	TAPPING SCREW 4X18		1			
026	687261-5	STRAIN RELIEF		1			
027	265995-6	TAPPING SCREW 4X18		1			
028	620196-7	CONTROLLER A		1			
029	142134-4	SUB CONTROLLER COMPLETE		1			
030	187665-6	HOUSING SET		1			
C10	263005-3	RUBBER PIN 6		2			
D10		INC. 23					
031	265995-6	TAPPING SCREW 4X18		6			
032	814X28-4	DUR182L NAME PLATE		1			
033	644808-8	TERMINAL		1			
034	451601-1	SPACER 24		1			
035	168478-4	HANGER		1			
036	922228-9	H.S.H.BOLT M5X18 WITH WR		1			
056	187585-4	MOTOR HOUSING SET		1			
D10		INC. 69					
057	629985-7	STATOR		1			
058	619324-9	ROTOR		1			
059	213961-7	O RING 22		1	*		
059-1	213373-4	O RING 22	O	1			
060	318978-6	BEARING BOX		1			
061	213325-5	O RING 19		1			
062	210022-4	BALL BEARING 626DDW		1	*		
062-1	210143-2	BALL BEARING 626ZZ	O	1			

063	227773-2	HELICAL GEAR 31		1		
064	326275-6	CUTTER SHAFT		1		
065	210059-1	BALL BEARING 6000DDW		1		
066	324917-6	RECEIVE WASHER		1	*	
066-1	326906-7	RECEIVE WASHER	<	1		
069	187585-4	MOTOR HOUSING SET		1		
D10		INC. 56				
070	265995-6	TAPPING SCREW 4X18		8		
071	424567-8	RUBBER SLEEVE 24		1		
075	142241-3	PIPE COMPLETE		1		
C10	898861-8	CAUTION LABEL		1		
C20	819312-8	MAKITA LOGO LABEL		1		
077	699059-8	POWER SUPPLY CORD UNIT		1		
079	346622-5	GUARD		1		
080	326348-5	WIRE GUARD		1		
081	413143-3	WASHER		2		
082	454641-8	PROTECTOR HOLDER		1		
083	942151-2	SPRING WASHER 6		2	*	
083-1	253428-3	SPRING WASHER 6	O	2		
084	266579-3	HEX SOCKET HEAD BOLT M6X30		2		
085	266427-6	TAPPING SCREW 4X12		1	*	
085-1	266427-6	TAPPING SCREW 4X12	S	2		
086	346725-5	CUTTER		1	*	
086-1	347274-5	CUTTER	S	1		
087	454640-0	PROTECTOR		1	*	
087-1	457980-5	PROTECTOR	S	1		
088	195626-2	LOOP HANDLE SET		1		
D10		INC. 89-93				
089	922243-3	HEX. SOCKET HEAD BOLT M5X25		2		
090	452843-0	CLAMP COVER B		1		
091	346468-9	CLAMP 33		1		
092	452841-4	LOOP HANDLE		1		
093	346467-1	CLAMP 24		1	*	
093-1	347094-7	CLAMP 24	O	1		
094	802H58-1	SOUND 90DB LABEL		1		
A01	123235-7	CUTTER ASSEMBLY		1		
D10		COMPO-PARTS				
A02	125516-5	BAND ASSEMBLY		1		
A03	195246-2	SAFETY GOGGLE		1	*	
A04	783202-0	HEX. WRENCH 4		1		
A05	783217-7	HEX. WRENCH 5		1		
A06	831304-7	ACCESSORY BAG		1		
F03-3	197606-4	BATTERY BL1830B SET (2PIECES)	O	1		
F06-3	197600-6	BATTERY BL1830B SET	O	1		
F07-4	197599-5	BATTERY BL1830B SET	O	1		
F13	196591-8	NYLON CODE 2.0-15M SET		1		
F18	191D91-7	TRIMMER HEAD 96-M8L SET		1		
A07	450128-8	BATTERY COVER		1		
A08	***DC18RC	DC18RC FAST CHARGER		1		
A09	194204-5	BATTERY BL1830 SET		1	*	
A09-1	194204-5	BATTERY BL1830 SET	O	1	*	
A09-2	197600-6	BATTERY BL1830B SET	<	1	*	

A09-3	197600-6	BATTERY BL1830B SET	O	1			
A09-1	196399-0	BATTERY BL1840 SET		1	*		
A09-2	197265-4	BATTERY BL1840B SET	<	1	*		
A09-3	197265-4	BATTERY BL1840B SET	O	1			

Please state Parts No. when your order.

Print Date 17/10/2023