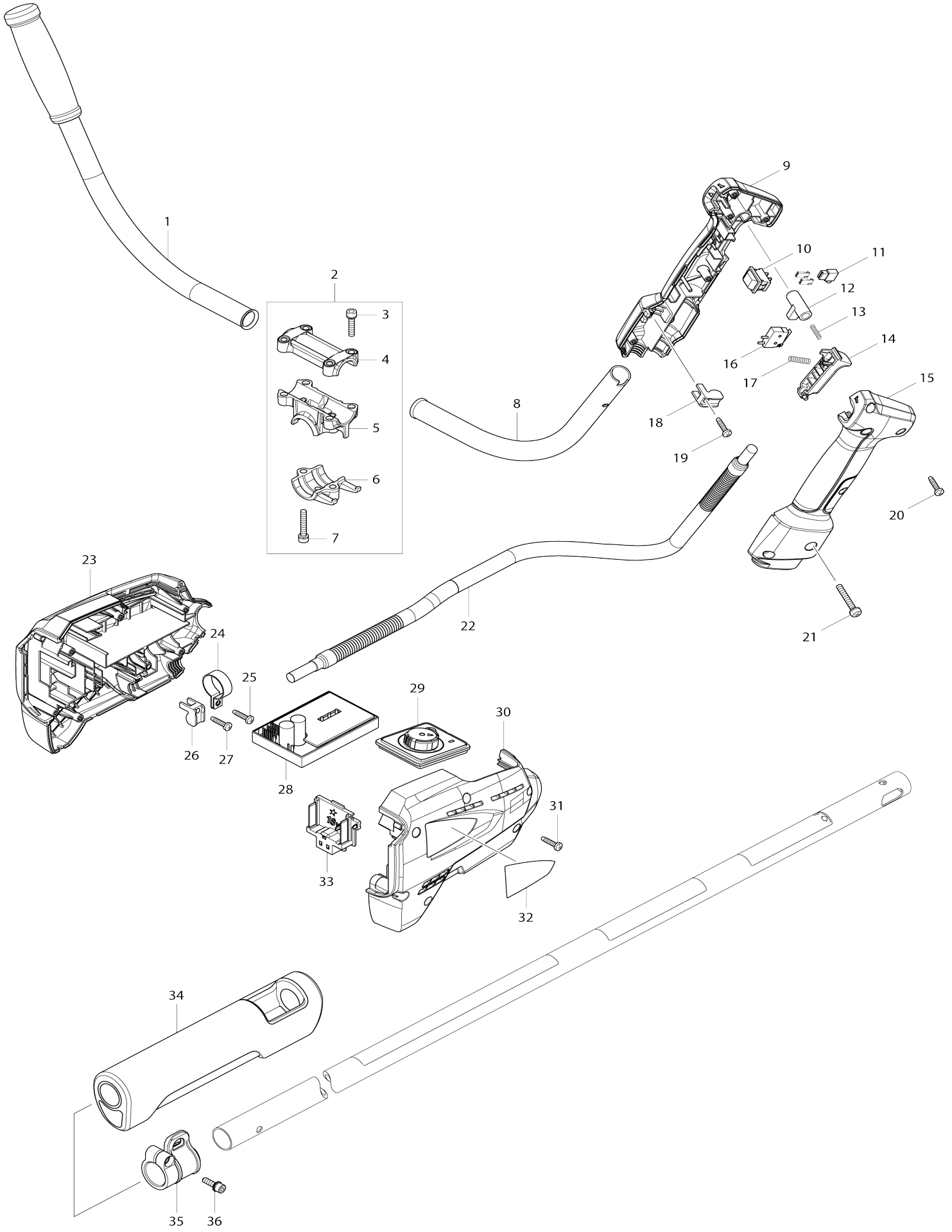
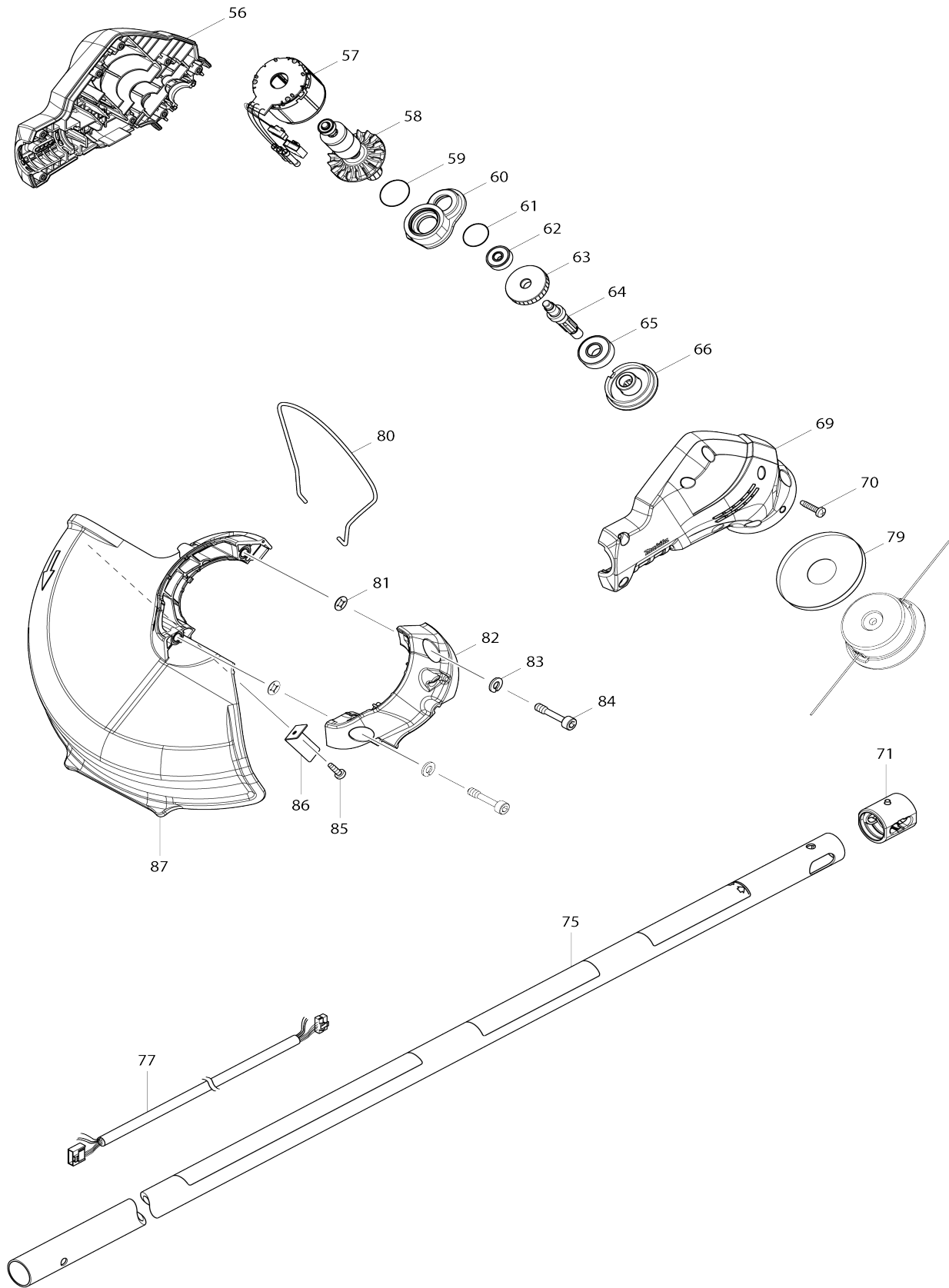


# Model No.DUR182U CORDLESS GRASS TRIMMER



# Model No.DUR182U CORDLESS GRASS TRIMMER



Model No.DUR182U CORDLESS GRASS TRIMMER

| Item No. | Parts No. | Description                 | Interchangability | Q'ty | New/Old | Note1 | Note2 |
|----------|-----------|-----------------------------|-------------------|------|---------|-------|-------|
| 001      | 158659-8  | HANDLE COMPLETE             |                   | 1    |         |       |       |
| C10      | 273526-7  | GRIP 18                     |                   | 1    |         |       |       |
| 002      | 135395-3  | HANDLE HOLDER ASS'Y         |                   | 1    |         |       |       |
| D10      |           | INC. 3-7                    |                   |      |         |       |       |
| 003      | 922241-7  | HEX. SOCKET HEAD BOLT M5X25 |                   | 4    |         |       |       |
| 004      | 318272-6  | HANDLE HOLDER 1             |                   | 1    |         |       |       |
| 005      | 318273-4  | HANDLE HOLDER 2             |                   | 1    |         |       |       |
| 006      | 318274-2  | HANDLE HOLDER 3             |                   | 1    |         |       |       |
| 007      | 922251-4  | HEX. SOCKET HEAD BOLT M5X30 |                   | 2    |         |       |       |
| 008      | 332068-1  | HANDLE 19                   |                   | 1    |         |       |       |
| 009      | 187587-0  | MAIN GRIP SET               |                   | 1    |         |       |       |
| D10      |           | INC. 15                     |                   |      |         |       |       |
| 010      | 651533-4  | SWITCH SLE6A2-33            |                   | 1    |         |       |       |
| 011      | 686015-7  | RECEPTACLE SLEEVE           |                   | 1    |         |       |       |
| 012      | 454298-5  | LOCK OFF BUTTON             |                   | 1    |         |       |       |
| 013      | 233114-2  | COMPRESSION SPRING 4        |                   | 1    |         |       |       |
| 014      | 454295-1  | SWITCH LEVER                |                   | 1    |         |       |       |
| 015      | 187587-0  | MAIN GRIP SET               |                   | 1    |         |       |       |
| D10      |           | INC. 9                      |                   |      |         |       |       |
| 016      | 650704-0  | SWITCH D2SW-P01L1-3M        |                   | 1    |         |       |       |
| 017      | 234003-4  | COMPRESSION SPRING 5        |                   | 1    |         |       |       |
| 018      | 687261-5  | STRAIN RELIEF               |                   | 1    |         |       |       |
| 019      | 265995-6  | TAPPING SCREW 4X18          |                   | 1    |         |       |       |
| 020      | 265995-6  | TAPPING SCREW 4X18          |                   | 5    |         |       |       |
| 021      | 911256-9  | PAN HEAD SCREW M5X35        |                   | 1    |         |       |       |
| 022      | 699060-3  | POWER SUPPLY CORD UNIT      |                   | 1    |         |       |       |
| 023      | 187665-6  | HOUSING SET                 |                   | 1    |         |       |       |
| C10      | 263005-3  | RUBBER PIN 6                |                   | 2    |         |       |       |
| D10      |           | INC. 30                     |                   |      |         |       |       |
| 024      | 346248-3  | CLAMP 24                    |                   | 1    |         |       |       |
| 025      | 265995-6  | TAPPING SCREW 4X18          |                   | 1    |         |       |       |
| 026      | 687261-5  | STRAIN RELIEF               |                   | 1    |         |       |       |
| 027      | 265995-6  | TAPPING SCREW 4X18          |                   | 1    |         |       |       |
| 028      | 620196-7  | CONTROLLER A                |                   | 1    |         |       |       |
| 029      | 142134-4  | SUB CONTROLLER COMPLETE     |                   | 1    |         |       |       |
| 030      | 187665-6  | HOUSING SET                 |                   | 1    |         |       |       |
| C10      | 263005-3  | RUBBER PIN 6                |                   | 2    |         |       |       |
| D10      |           | INC. 23                     |                   |      |         |       |       |
| 031      | 265995-6  | TAPPING SCREW 4X18          |                   | 6    |         |       |       |
| 032      | 815M97-2  | DUR182U NAME PLATE          |                   | 1    |         |       |       |
| 033      | 644808-8  | TERMINAL                    |                   | 1    |         |       |       |
| 034      | 424463-0  | CUSHION                     |                   | 1    |         |       |       |
| 035      | 168478-4  | HANGER                      |                   | 1    |         |       |       |
| 036      | 922228-9  | H.S.H.BOLT M5X18 WITH WR    |                   | 1    |         |       |       |
| 056      | 187585-4  | MOTOR HOUSING SET           |                   | 1    |         |       |       |
| D10      |           | INC. 69                     |                   |      |         |       |       |
| 057      | 629985-7  | STATOR                      |                   | 1    |         |       |       |
|          |           |                             |                   |      |         |       |       |

|       |          |                            |   |   |   |  |
|-------|----------|----------------------------|---|---|---|--|
| 058   | 619324-9 | ROTOR                      |   | 1 |   |  |
| 059-1 | 213373-4 | O RING 22                  |   | 1 |   |  |
| 060   | 318978-6 | BEARING BOX                |   | 1 |   |  |
| 061   | 213325-5 | O RING 19                  |   | 1 |   |  |
| 062   | 210022-4 | BALL BEARING 626DDW        |   | 1 | * |  |
| 062-1 | 210143-2 | BALL BEARING 626ZZ         | O | 1 |   |  |
| 063   | 227773-2 | HELICAL GEAR 31            |   | 1 |   |  |
| 064   | 326275-6 | CUTTER SHAFT               |   | 1 |   |  |
| 065   | 210059-1 | BALL BEARING 6000DDW       |   | 1 |   |  |
| 066   | 324917-6 | RECEIVE WASHER             |   | 1 | * |  |
| 066-1 | 326906-7 | RECEIVE WASHER             | < | 1 |   |  |
| 069   | 187585-4 | MOTOR HOUSING SET          |   | 1 |   |  |
| D10   |          | INC. 56                    |   |   |   |  |
| 070   | 265995-6 | TAPPING SCREW 4X18         |   | 8 |   |  |
| 071   | 424567-8 | RUBBER SLEEVE 24           |   | 1 |   |  |
| 075   | 142241-3 | PIPE COMPLETE              |   | 1 |   |  |
| C10   | 898861-8 | CAUTION LABEL              |   | 1 |   |  |
| C20   | 819312-8 | MAKITA LOGO LABEL          |   | 1 |   |  |
| 077   | 699059-8 | POWER SUPPLY CORD UNIT     |   | 1 |   |  |
| 079   | 346622-5 | GUARD                      |   | 1 |   |  |
| 080   | 326348-5 | WIRE GUARD                 |   | 1 |   |  |
| 081   | 413143-3 | WASHER                     |   | 2 |   |  |
| 082   | 454641-8 | PROTECTOR HOLDER           |   | 1 |   |  |
| 083   | 942151-2 | SPRING WASHER 6            |   | 2 | * |  |
| 083-1 | 253428-3 | SPRING WASHER 6            | O | 2 |   |  |
| 084   | 266579-3 | HEX SOCKET HEAD BOLT M6X30 |   | 2 |   |  |
| 085   | 266427-6 | TAPPING SCREW 4X12         |   | 1 | * |  |
| 085-1 | 266427-6 | TAPPING SCREW 4X12         | S | 2 |   |  |
| 086   | 346725-5 | CUTTER                     |   | 1 | * |  |
| 086-1 | 347274-5 | CUTTER                     | S | 1 |   |  |
| 087   | 454640-0 | PROTECTOR                  |   | 1 | * |  |
| 087-1 | 457980-5 | PROTECTOR                  | S | 1 |   |  |
| A01   | 123235-7 | CUTTER ASSEMBLY            |   | 1 |   |  |
| D10   |          | COMPO-PARTS                |   |   |   |  |
| A02   | 125516-5 | BAND ASSEMBLY              |   | 1 |   |  |
| A03   | 195246-2 | SAFETY GOGGLE              |   | 1 | * |  |
| A04   | 783202-0 | HEX. WRENCH 4              |   | 1 |   |  |
| A05   | 783217-7 | HEX. WRENCH 5              |   | 1 |   |  |
| A06   | 831304-7 | ACCESSORY BAG              |   | 1 |   |  |
| F02   | 191D91-7 | TRIMMER HEAD 96-M8L SET    |   | 1 |   |  |

Please state Parts No. when your order.

Print Date 17/10/2023