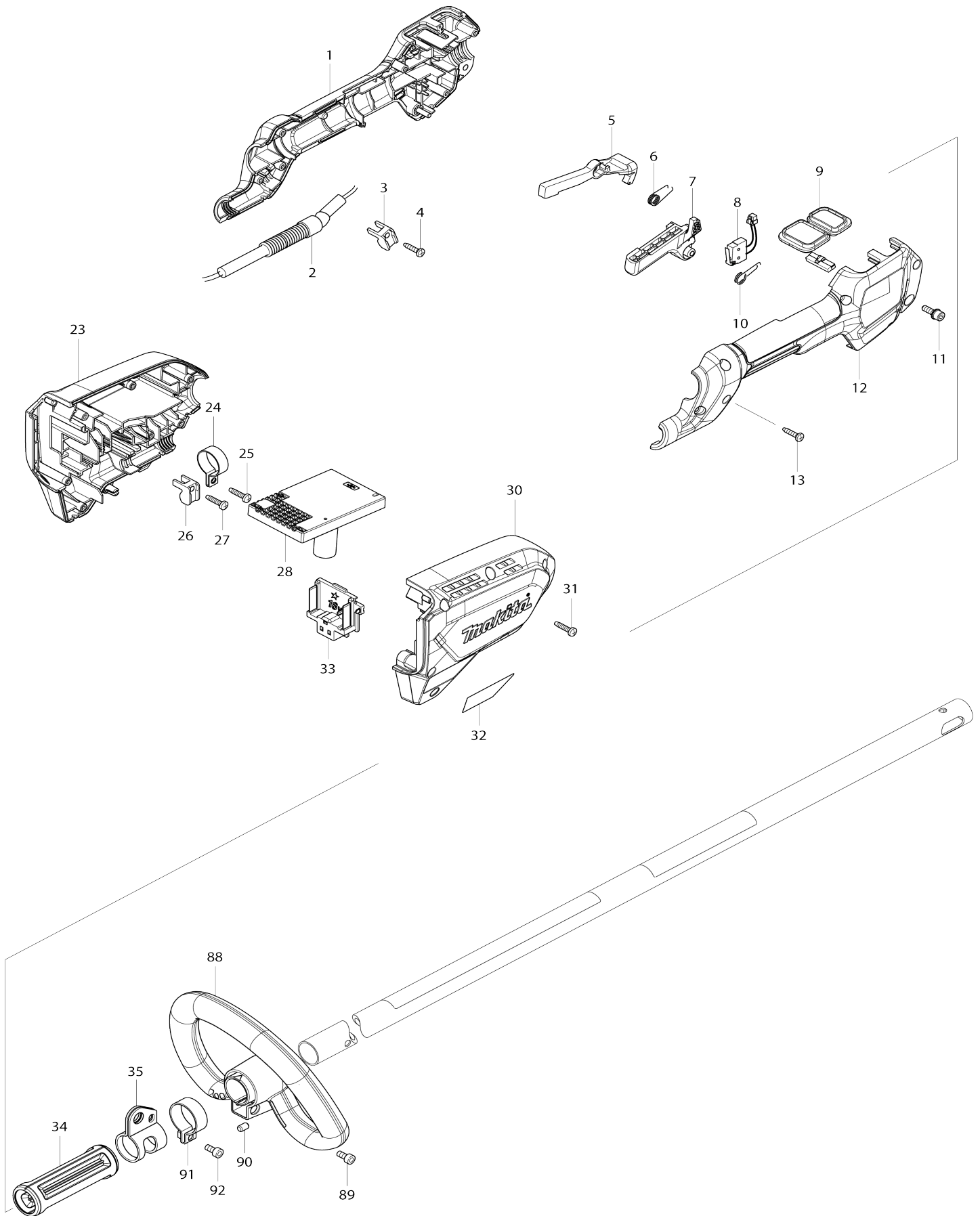
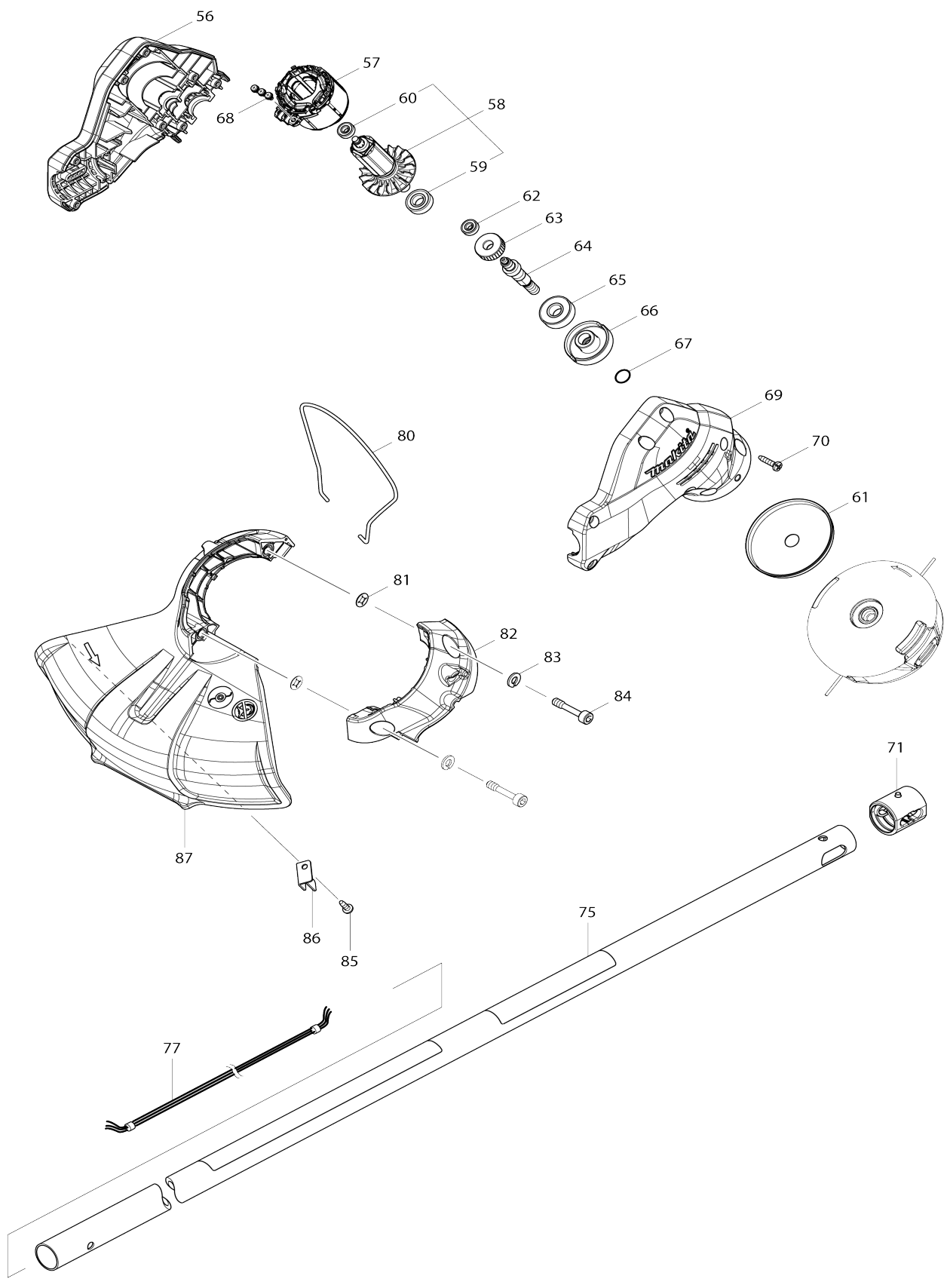


Model No.DUR187L CORDLESS GRASS TRIMMER



Model No.DUR187L CORDLESS GRASS TRIMMER



Model No.DUR187L CORDLESS GRASS TRIMMER

Item No.	Parts No.	Description	Interchangeability	Q'ty	New/Old	Note1	Note2
001	183A19-1	GRIP SET		1			
C10	931202-6	HEX. NUT M5		1			
D10		INC. 12					
002	699085-7	POWER SUPPLY CORD UNIT		1			
003	687260-7	STRAIN RELIEF		1			
004	266326-2	TAPPING SCREW 4X18		1			
005	455629-1	LOCK OFF LEVER		1	*		
005-1	413Y35-6	LOCK OFF LEVER	O	1			
006	233621-5	TORSION SPRING 9		1			
007	455625-9	SWITCH LEVER		1			
008	632E26-0	SWITCH UNIT		1			
009	144371-6	SUB CONTROLLER COMPLETE		1			
010	233612-6	TORSION SPRING 10		1			
011	922228-9	H.S.H.BOLT M5X18 WITH WR		1			
012	183A19-1	GRIP SET		1			
C10	931202-6	HEX. NUT M5		1			
D10		INC. 1					
013	266326-2	TAPPING SCREW 4X18		6			
023	183F35-3	HOUSING SET		1			
C10	263005-3	RUBBER PIN 6		2			
D10		INC. 30					
024	346248-3	CLAMP 24		1			
025	266326-2	TAPPING SCREW 4X18		1			
026	687260-7	STRAIN RELIEF		1			
027	266326-2	TAPPING SCREW 4X18		1			
028	620642-0	CONTROLLER		1			
030	183F35-3	HOUSING SET		1			
C10	263005-3	RUBBER PIN 6		2			
D10		INC. 23					
031	266326-2	TAPPING SCREW 4X18		6			
032	852X86-2	DUR187L NAME PLATE		1			
033	644809-6	TERMINAL		1			
034	451601-1	SPACER 24		1			
035	347116-3	HANGER		1			
056	183F18-3	MOTOR HOUSING SET		1			
D10		INC. 69					
057	629248-1	STATOR		1			
058	519429-4	ROTOR ASS'Y		1	*		
D10		INC. 59,60					
058-1	519429-4	ROTOR ASS'Y	O	1			
D10		INC. 59,60					
059	210049-4	BALL BEARING 609ZZ		1			
060	211157-4	BALL BEARING 695ZZ		1			
061	346857-8	GUARD		1			
062	211157-4	BALL BEARING 695ZZ		1			
063	221492-2	HELICAL GEAR 26		1			
064	326924-5	CUTTER SHAFT		1			

065	210059-1	BALL BEARING 6000DDW		1		
066	144512-4	RECEIVE WASHER COMPLETE		1		
D10		INC. 67				
067	213055-8	O RING 10		1		
068	652069-6	FLAT HEAD SCREW M3X6		3		
069	183F18-3	MOTOR HOUSING SET		1		
D10		INC. 56				
070	266326-2	TAPPING SCREW 4X18		8		
071	424567-8	RUBBER SLEEVE 24		1		
075	144372-4	PIPE COMPLETE A		1		
C10	819312-8	MAKITA LOGO LABEL		1		
C20	898861-8	CAUTION LABEL		1	*	
C21	809N07-5	CAUTION LABEL	<	1		
077	699090-4	POWER SUPPLY CORD UNIT		1		
080	326348-5	WIRE GUARD		1		
081	413143-3	WASHER		2		
082	454641-8	PROTECTOR HOLDER		1		
083	942151-2	SPRING WASHER 6		2	*	
083-1	253428-3	SPRING WASHER 6	O	2		
084	266579-3	HEX SOCKET HEAD BOLT M6X30		2		
085	266427-6	TAPPING SCREW 4X12		1	*	
085-1	266427-6	TAPPING SCREW 4X12	S	2		
086	346725-5	CUTTER		1	*	
086-1	347274-5	CUTTER	S	1		
087	457324-9	PROTECTOR		1	*	
087-1	457324-9	PROTECTOR	S	1		
088	456675-7	LOOP HANDLE 24		1	*	
088-1	457937-6	LOOP HANDLE 24	<	1	*	
088-2	413L67-5	LOOP HANDLE 24	O	1		
089	922212-4	HEX. SOCKET HEAD BOLT M5X12		1		
090	263005-3	RUBBER PIN 6		1		
091	347011-7	PIPE CLAMP 29		1		
092	922212-4	HEX. SOCKET HEAD BOLT M5X12		1		
A01	198385-7	TRIMMER HEAD 95-M8L SET ME		1		
C10	456640-6	SPOOL HOLDER		1		
C20	232289-4	COMPRESSION SPRING 15		1		
C30	144259-0	SPOOL COVER COMPLETE		1		
C40	456642-2	SPOOL		1		
A02	125516-5	BAND ASSEMBLY		1		
A03	783202-0	HEX. WRENCH 4		1		
A04	783217-7	HEX. WRENCH 5		1		
A05	831304-7	ACCESSORY BAG		1		
A07	123954-5	PLASTIC BLADE ASSEMBLY 255-M8L		1		
E01	812D87-2	SOUND XXDB LABEL		1	*	
E01-1	802H58-1	SOUND 90DB LABEL	<	1		
F02	196591-8	NYLON CODE 2.0-15M SET		1		
F04	197472-9	NYLON CORD 2.0-15M SET		1		
F05	197473-7	NYLON CORD 2.0-30M SET		1		
F06	197474-5	NYLON CORD 2.0-160M SET		1		
F07	197475-3	NYLON CORD 2.0-280M SET		1		
F12	191D91-7	TRIMMER HEAD 96-M8L SET		1		

A06	450128-8	BATTERY COVER		2			
A07	***DC18RC	DC18RC FAST CHARGER		1			
D10		COMPO-PARTS					
A08	197600-6	BATTERY BL1830B SET		2	*		
A08-1	197600-6	BATTERY BL1830B SET	O	2			

Please state Parts No. when your order.

Print Date 17/10/2023