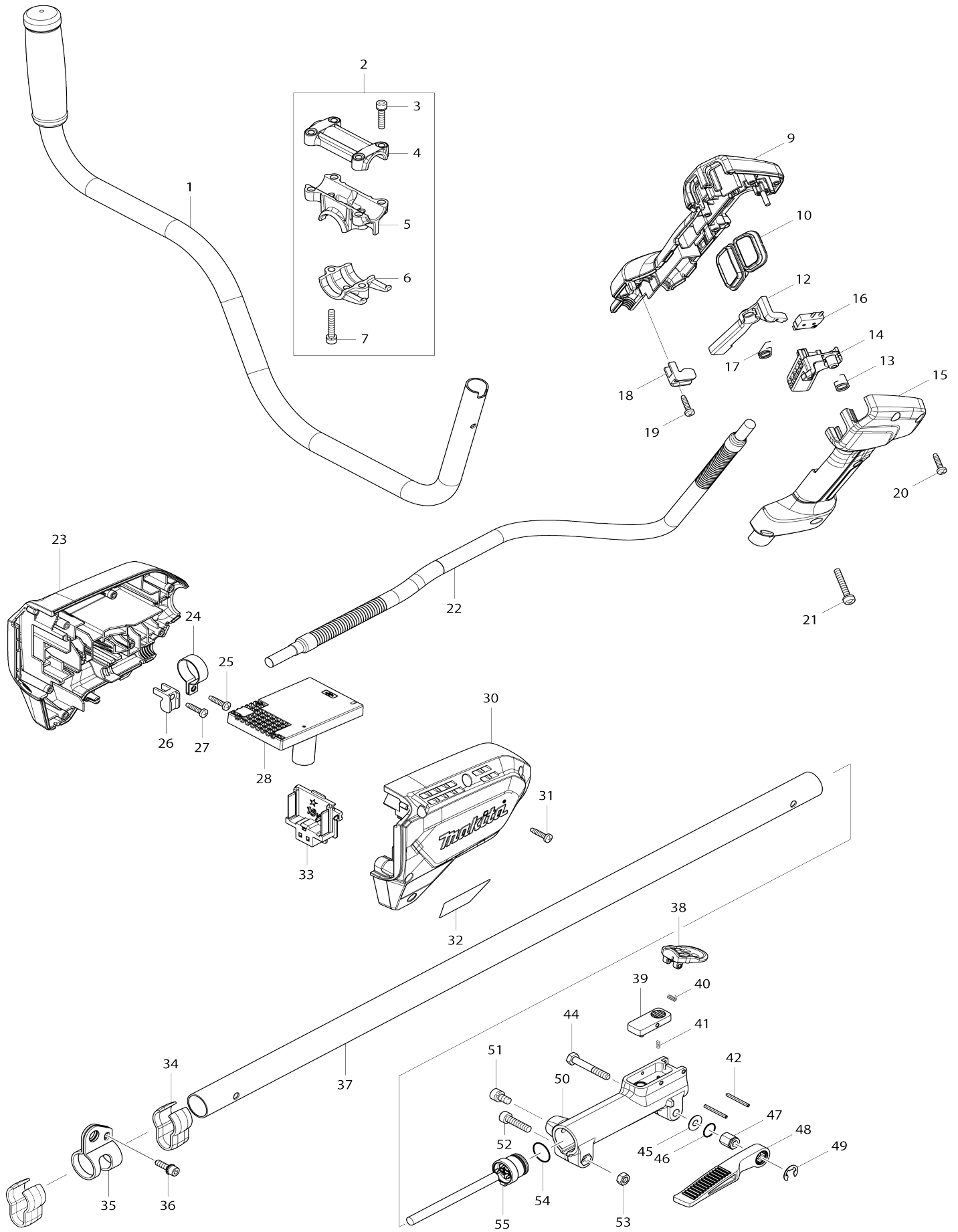
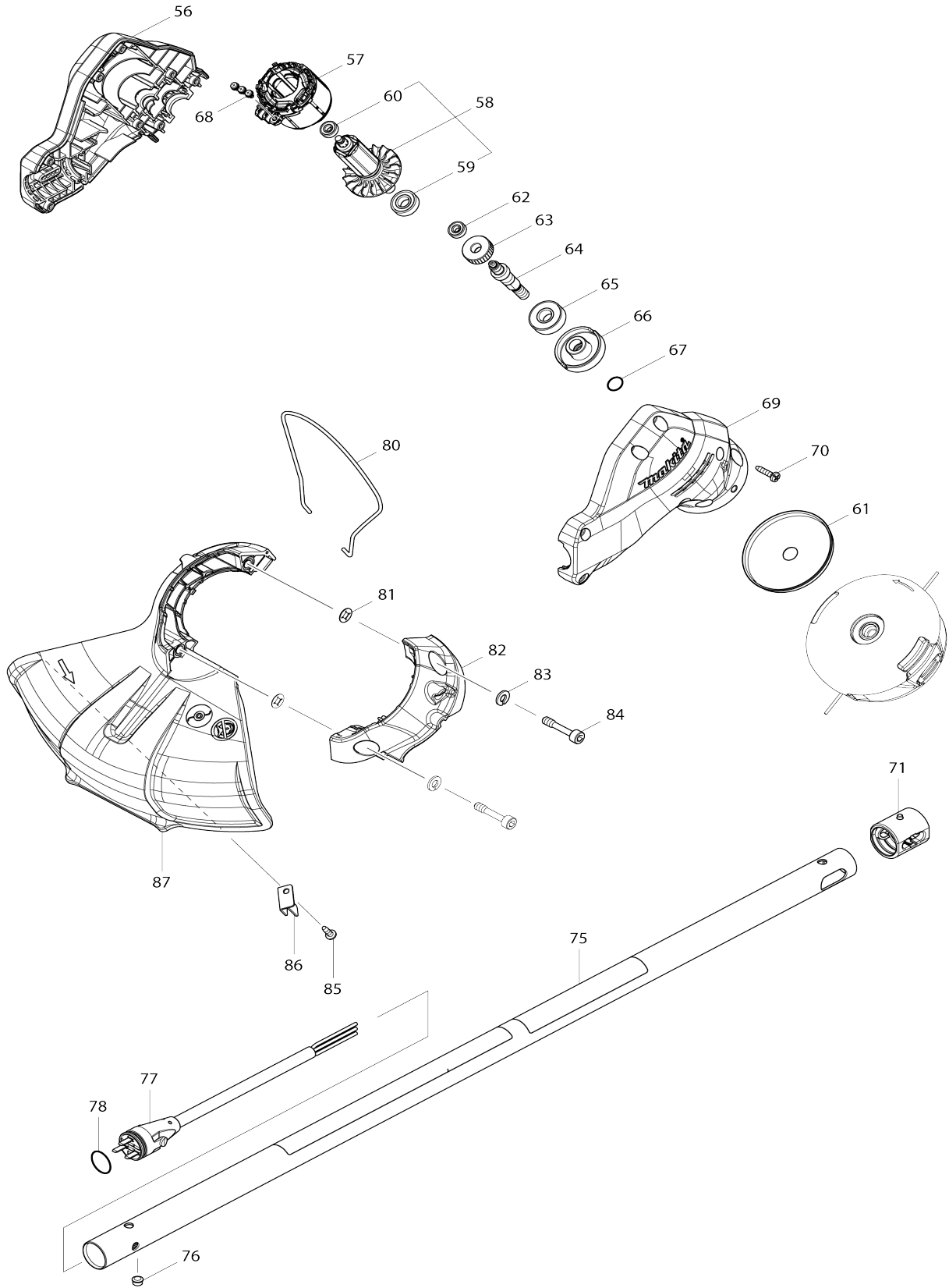


Model No.DUR188U CORDLESS GRASS TRIMMER



Model No.DUR188U CORDLESS GRASS TRIMMER



Model No.DUR188U CORDLESS GRASS TRIMMER

Item No.	Parts No.	Description	Interchangeability	Q'ty	New/Old	Note1	Note2
001	144374-0	HANDLE COMPLETE		1			
002	135395-3	HANDLE HOLDER ASS'Y		1			
D10		INC. 3-7					
003	922241-7	HEX. SOCKET HEAD BOLT M5X25		4			
004	318272-6	HANDLE HOLDER 1		1			
005	318273-4	HANDLE HOLDER 2		1			
006	318274-2	HANDLE HOLDER 3		1			
007	922251-4	HEX. SOCKET HEAD BOLT M5X30		2			
009	183A77-7	GRIP SET		1			
C10	252180-0	HEX. LOCK NUT M5-8		1			
D10		INC. 15					
010	144371-6	SUB CONTROLLER COMPLETE		1			
012	455629-1	LOCK OFF LEVER		1	*		
012-1	413Y35-6	LOCK OFF LEVER	O	1			
013	233612-6	TORSION SPRING 10		1			
014	455816-2	SWITCH LEVER		1			
015	183A77-7	GRIP SET		1			
C10	252180-0	HEX. LOCK NUT M5-8		1			
D10		INC. 9					
016	632E40-6	SWITCH UNIT		1			
017	233621-5	TORSION SPRING 9		1			
018	687260-7	STRAIN RELIEF		1			
019	266326-2	TAPPING SCREW 4X18		1			
020	266326-2	TAPPING SCREW 4X18		5			
021	911258-5	PAN HEAD SCREW M5X35		1			
022	699084-9	POWER SUPPLY CORD UNIT		1			
023	183F35-3	HOUSING SET		1			
C10	263005-3	RUBBER PIN 6		2			
D10		INC. 30					
024	346248-3	CLAMP 24		1			
025	266326-2	TAPPING SCREW 4X18		1			
026	687260-7	STRAIN RELIEF		1			
027	266326-2	TAPPING SCREW 4X18		1			
028	620642-0	CONTROLLER		1			
030	183F35-3	HOUSING SET		1			
C10	263005-3	RUBBER PIN 6		2			
D10		INC. 23					
031	266326-2	TAPPING SCREW 4X18		6			
032	852X92-7	DUR188U NAME PLATE		1			
033	644809-6	TERMINAL		1			
034	457458-8	CLAMP		2			
035	347116-3	HANGER		1			
036	922212-4	HEX. SOCKET HEAD BOLT M5X12		1			
037	332069-9	PIPE B		1			
038	454304-6	JOINT COVER		1			
039	454303-8	LOCK LEVER		1			
040	233604-5	TORSION SPRING 3		1			

041	233211-4	COMPRESSION SPRING 2		1		
042	258010-3	SPRING PIN 2.5-25		2		
044	265596-0	HEX.BOLT M6X40		1		
045	253332-6	THIN WASHER 6		1		
046	213105-9	O RING 11		1		
047	252159-1	HEX. NUT M6		1		
048	272268-0	LEVER 94		1		
049	961014-3	STOP RING E-8		1		
050	319531-1	JOINT 24 B		1	*	
050-1	312D65-7	JOINT 24 B	<	1		
051	922311-2	HEX. SOCKET HEAD BOLT M6X12		1		
052	922342-1	HEX. SOCKET HEAD BOLT M6X25		1		
053	931302-2	HEX. NUT M6		1		
054	213275-4	O RING 18		1	*	
054-1	213275-4	O RING 18	O	1		
055	699087-3	POWER SUPPLY CORD UNIT		1		
056	183F18-3	MOTOR HOUSING SET		1		
D10		INC. 69				
057	629248-1	STATOR		1		
058	519429-4	ROTOR ASS'Y		1	*	
D10		INC. 59,60				
058-1	519429-4	ROTOR ASS'Y	O	1		
D10		INC. 59,60				
059	210049-4	BALL BEARING 609ZZ		1		
060	211157-4	BALL BEARING 695ZZ		1		
061	346857-8	GUARD		1		
062	211157-4	BALL BEARING 695ZZ		1		
063	221492-2	HELICAL GEAR 26		1		
064	326924-5	CUTTER SHAFT		1		
065	210059-1	BALL BEARING 6000DDW		1		
066	144512-4	RECEIVE WASHER COMPLETE		1		
D10		INC. 67				
067	213055-8	O RING 10		1		
068	652069-6	FLAT HEAD SCREW M3X6		3		
069	183F18-3	MOTOR HOUSING SET		1		
D10		INC. 56				
070	266326-2	TAPPING SCREW 4X18		8		
071	424567-8	RUBBER SLEEVE 24		1		
075	144373-2	PIPE COMPLETE A		1		
C10	819312-8	MAKITA LOGO LABEL		1		
C20	898861-8	CAUTION LABEL		1	*	
C21	809N07-5	CAUTION LABEL	<	1		
076	326880-9	STOPPER PIN B		1		
077	699088-1	POWER SUPPLY CORD UNIT		1		
078	213275-4	O RING 18		1		
080	326348-5	WIRE GUARD		1		
081	413143-3	WASHER		2		
082	454641-8	PROTECTOR HOLDER		1		
083	942151-2	SPRING WASHER 6		2	*	
083-1	253428-3	SPRING WASHER 6	O	2		
084	266579-3	HEX SOCKET HEAD BOLT M6X30		2		
085	266427-6	TAPPING SCREW 4X12		1	*	

085-1	266427-6	TAPPING SCREW 4X12	S	2			
086	346725-5	CUTTER		1	*		
086-1	347274-5	CUTTER	S	1			
087	457324-9	PROTECTOR		1	*		
087-1	457324-9	PROTECTOR	S	1			
A01	198385-7	TRIMMER HEAD 95-M8L SET ME		1			
C10	456640-6	SPOOL HOLDER		1			
C20	232289-4	COMPRESSION SPRING 15		1			
C30	144259-0	SPOOL COVER COMPLETE		1			
C40	456642-2	SPOOL		1			
A02	125520-4	BAND ASSEMBLY		1			
A03	783202-0	HEX. WRENCH 4		1			
A04	783217-7	HEX. WRENCH 5		1			
A05	831304-7	ACCESSORY BAG		1			
A06	424596-1	CAP 24		1			
A07	123954-5	PLASTIC BLADE ASSEMBLY 255-M8L		1			
E01	812D87-2	SOUND XXDB LABEL		1	*		
E01-1	802H58-1	SOUND 90DB LABEL	<	1			
F02	196591-8	NYLON CODE 2.0-15M SET		1			
F04	197472-9	NYLON CORD 2.0-15M SET		1			
F05	197473-7	NYLON CORD 2.0-30M SET		1			
F06	197474-5	NYLON CORD 2.0-160M SET		1			
F07	197475-3	NYLON CORD 2.0-280M SET		1			
F12	191D91-7	TRIMMER HEAD 96-M8L SET		1			

Please state Parts No. when your order.

Print Date 18/10/2023