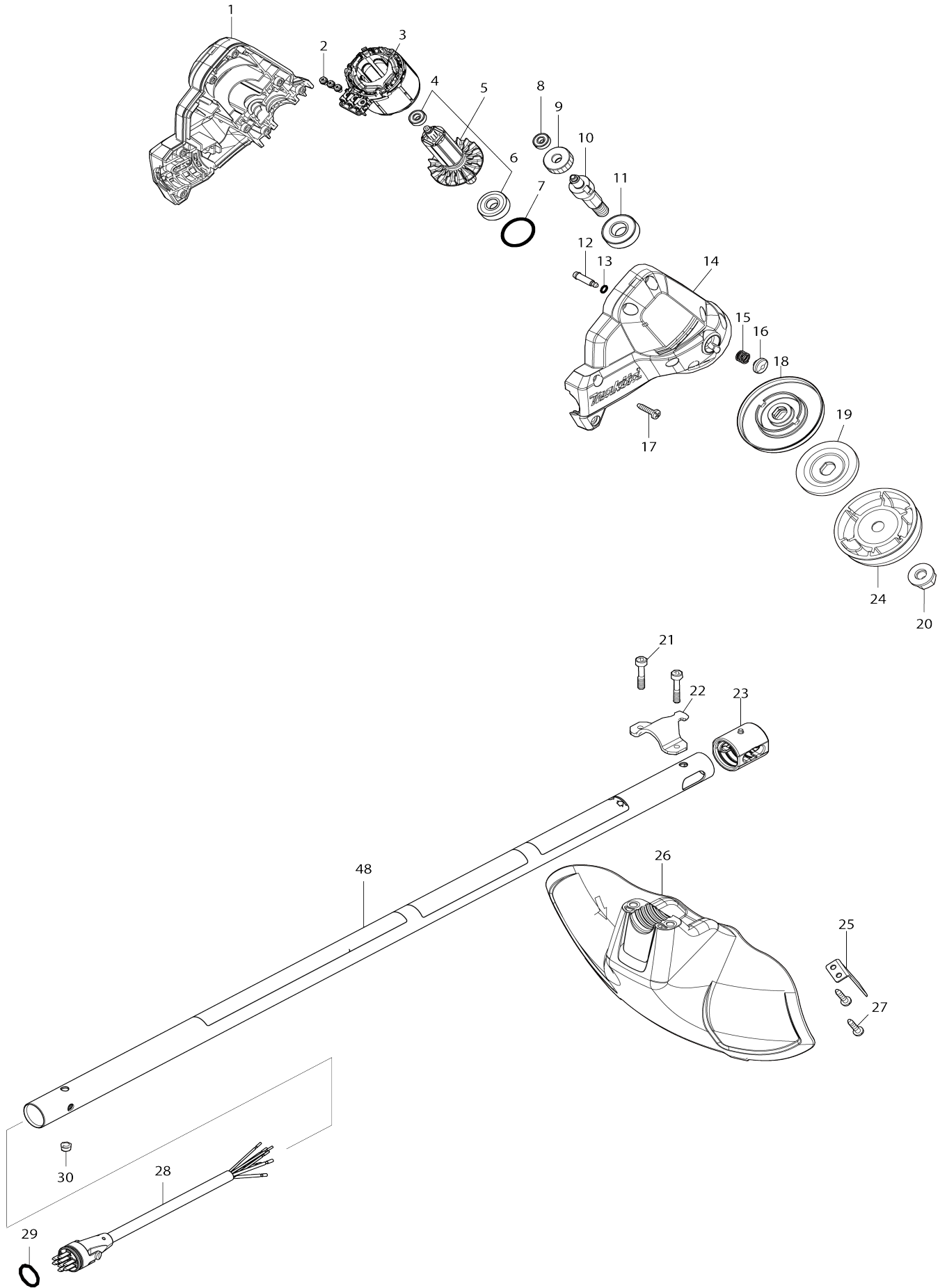
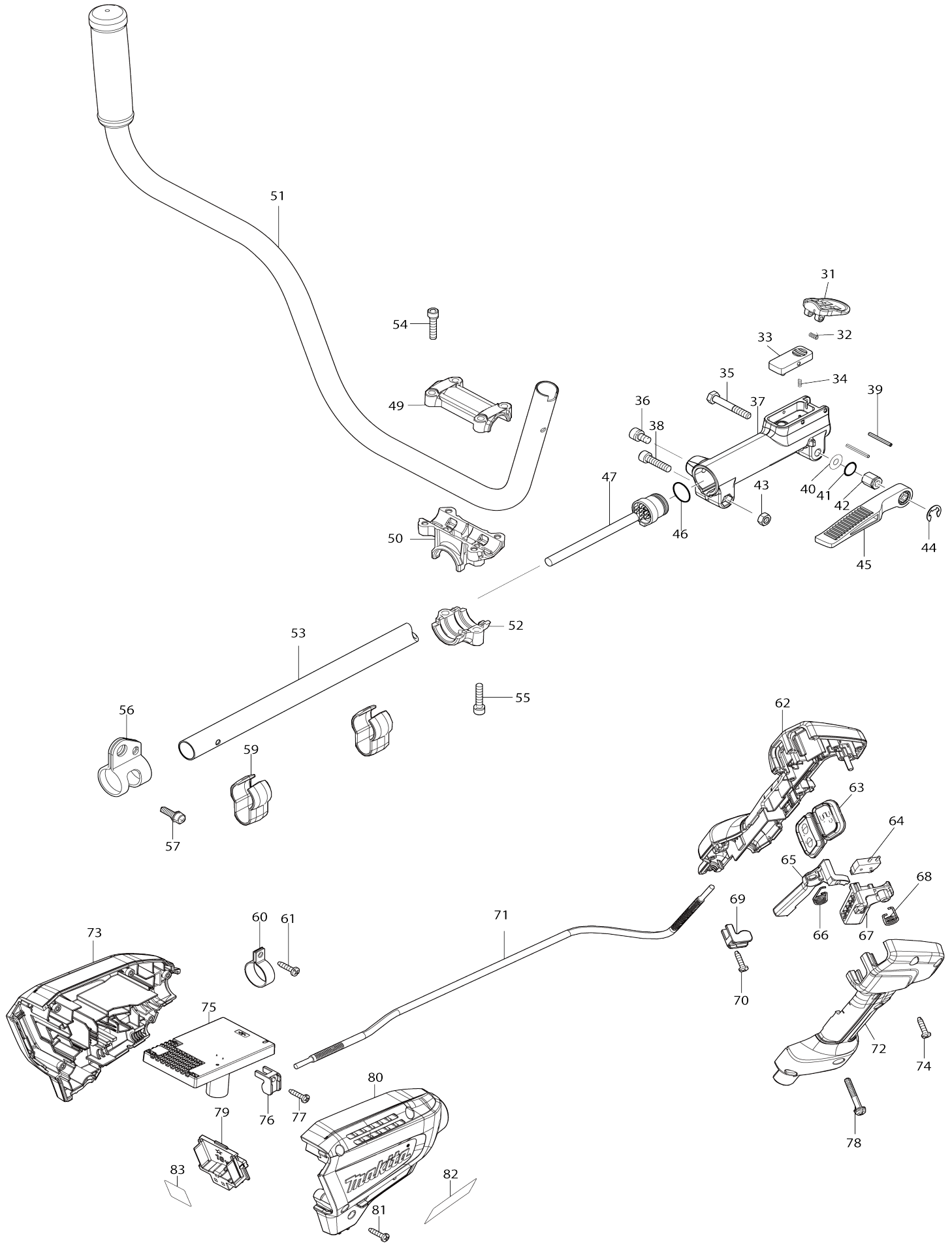


# Model No.DUR191U CORDLESS GRASS TRIMMER



# Model No. DUR191U CORDLESS GRASS TRIMMER



Model No.DUR191U CORDLESS GRASS TRIMMER

| Item No. | Parts No. | Description                 | Interchangability | Q'ty | New/Old | Note1 | Note2 |
|----------|-----------|-----------------------------|-------------------|------|---------|-------|-------|
| 001      | 183P06-0  | MOTOR HOUSING SET           |                   | 1    |         |       |       |
| D10      |           | INC. 14                     |                   |      |         |       |       |
| 002      | 652069-6  | FLAT HEAD SCREW M3X6        |                   | 3    |         |       |       |
| 003      | 629248-1  | STATOR                      |                   | 1    |         |       |       |
| 004      | 210215-3  | BALL BEARING 695ZZ          |                   | 1    |         |       |       |
| 005      | 510449-1  | ROTOR ASS'Y                 |                   | 1    |         |       |       |
| D10      |           | INC. 4,6                    |                   |      |         |       |       |
| 006      | 210049-4  | BALL BEARING 609ZZ          |                   | 1    |         |       |       |
| 007      | 213380-7  | O RING 24                   |                   | 1    |         |       |       |
| 008      | 210215-3  | BALL BEARING 695ZZ          |                   | 1    |         |       |       |
| 009      | 221492-2  | HELICAL GEAR 26             |                   | 1    |         |       |       |
| 010      | 327542-2  | CUTTER SHAFT                |                   | 1    |         |       |       |
| 011      | 211131-2  | BALL BEARING 6001DDW        |                   | 1    |         |       |       |
| 012      | 256546-6  | SHOULDER PIN 4              |                   | 1    |         |       |       |
| 013      | 213021-5  | O RING 5                    |                   | 1    |         |       |       |
| 014      | 183P06-0  | MOTOR HOUSING SET           |                   | 1    |         |       |       |
| D10      |           | INC. 1                      |                   |      |         |       |       |
| 015      | 233072-2  | COMPRESSION SPRING 8        |                   | 1    |         |       |       |
| 016      | 412408-0  | PIN CAP                     |                   | 1    |         |       |       |
| 017      | 266326-2  | TAPPING SCREW 4X18          |                   | 8    |         |       |       |
| 018      | 140T23-7  | RECEIVE WASHER COMPLETE     |                   | 1    |         |       |       |
| 021      | 251513-6  | H.S.H.BOLT M5X25            |                   | 2    |         |       |       |
| 022      | 347667-6  | PROTECTOR CLAMP             |                   | 1    |         |       |       |
| 023      | 424567-8  | RUBBER SLEEVE 24            |                   | 1    |         |       |       |
| 025      | 346855-2  | CUTTER                      |                   | 1    |         |       |       |
| 026      | 412392-9  | PROTECTOR                   |                   | 1    |         |       |       |
| 027      | 266326-2  | TAPPING SCREW 4X18          |                   | 2    |         |       |       |
| 028      | 699088-1  | POWER SUPPLY CORD UNIT      |                   | 1    |         |       |       |
| 029      | 213275-4  | O RING 18                   |                   | 1    |         |       |       |
| 030      | 326880-9  | STOPPER PIN B               |                   | 1    |         |       |       |
| 031      | 454304-6  | JOINT COVER                 |                   | 1    |         |       |       |
| 032      | 233604-5  | TORSION SPRING 3            |                   | 1    |         |       |       |
| 033      | 454303-8  | LOCK LEVER                  |                   | 1    |         |       |       |
| 034      | 233211-4  | COMPRESSION SPRING 2        |                   | 1    |         |       |       |
| 035      | 265596-0  | HEX.BOLT M6X40              |                   | 1    |         |       |       |
| 036      | 922311-2  | HEX. SOCKET HEAD BOLT M6X12 |                   | 1    |         |       |       |
| 037      | 319531-1  | JOINT 24 B                  |                   | 1    | *       |       |       |
| 037-1    | 312D65-7  | JOINT 24 B                  | <                 | 1    |         |       |       |
| 038      | 922342-1  | HEX. SOCKET HEAD BOLT M6X25 |                   | 1    |         |       |       |
| 039      | 258010-3  | SPRING PIN 2.5-25           |                   | 2    |         |       |       |
| 040      | 253332-6  | THIN WASHER 6               |                   | 1    |         |       |       |
| 041      | 213105-9  | O RING 11                   |                   | 1    |         |       |       |
| 042      | 252159-1  | HEX. NUT M6                 |                   | 1    |         |       |       |
| 043      | 931302-2  | HEX. NUT M6                 |                   | 1    |         |       |       |
| 044      | 961014-3  | STOP RING E-8               |                   | 1    |         |       |       |
| 045      | 272268-0  | LEVER 94                    |                   | 1    |         |       |       |
| 046      | 213275-4  | O RING 18                   |                   | 1    |         |       |       |

|       |          |                             |   |   |   |  |
|-------|----------|-----------------------------|---|---|---|--|
| 047   | 699087-3 | POWER SUPPLY CORD UNIT      |   | 1 |   |  |
| 048   | 140T22-9 | PIPE COMPLETE A             |   | 1 |   |  |
| C10   | 819N87-3 | CAUTION LABEL               |   | 1 |   |  |
| C20   | 819312-8 | MAKITA LOGO LABEL           |   | 1 |   |  |
| 049   | 318272-6 | HANDLE HOLDER 1             |   | 1 |   |  |
| 050   | 319705-4 | HANDLE HOLDER               |   | 1 |   |  |
| 051   | 144374-0 | HANDLE COMPLETE             |   | 1 |   |  |
| 052   | 319703-8 | PIPE CLAMP                  |   | 1 |   |  |
| 053   | 327547-2 | PIPE B                      |   | 1 |   |  |
| 054   | 922241-7 | HEX. SOCKET HEAD BOLT M5X25 |   | 4 |   |  |
| 055   | 922241-7 | HEX. SOCKET HEAD BOLT M5X25 |   | 2 |   |  |
| 056   | 347116-3 | HANGER                      |   | 1 |   |  |
| 057   | 922212-4 | HEX. SOCKET HEAD BOLT M5X12 |   | 1 |   |  |
| 059   | 457458-8 | CLAMP                       |   | 2 |   |  |
| 060   | 346248-3 | CLAMP 24                    |   | 1 |   |  |
| 061   | 266326-2 | TAPPING SCREW 4X18          |   | 1 |   |  |
| 062   | 183N99-5 | GRIP SET                    |   | 1 |   |  |
| C10   | 252180-0 | HEX. LOCK NUT M5-8          |   | 1 |   |  |
| D10   |          | INC. 72                     |   |   |   |  |
| 063   | 140T18-0 | SUB CONTROLLER COMPLETE     |   | 1 |   |  |
| C10   | 8010M7-8 | SWITCH LABEL                |   | 1 |   |  |
| C20   | 8010M8-6 | INDICATION LABEL            |   | 1 |   |  |
| 064   | 632E40-6 | SWITCH UNIT                 |   | 1 |   |  |
| 065   | 455629-1 | LOCK OFF LEVER              |   | 1 | * |  |
| 065-1 | 413Y35-6 | LOCK OFF LEVER              | O | 1 |   |  |
| 066   | 233621-5 | TORSION SPRING 9            |   | 1 |   |  |
| 067   | 455816-2 | SWITCH LEVER                |   | 1 |   |  |
| 068   | 233612-6 | TORSION SPRING 10           |   | 1 |   |  |
| 069   | 687260-7 | STRAIN RELIEF               |   | 1 |   |  |
| 070   | 266326-2 | TAPPING SCREW 4X18          |   | 1 |   |  |
| 071   | 699148-9 | POWER SUPPLY CORD UNIT      |   | 1 |   |  |
| 072   | 183N99-5 | GRIP SET                    |   | 1 |   |  |
| C10   | 252180-0 | HEX. LOCK NUT M5-8          |   | 1 |   |  |
| D10   |          | INC. 62                     |   |   |   |  |
| 073   | 183P07-8 | HOUSING SET                 |   | 1 | * |  |
| C10   | 263005-3 | RUBBER PIN 6                |   | 2 | * |  |
| D10   |          | INC. 80                     |   |   |   |  |
| 073-1 | 183T27-6 | HOUSING SET                 | < | 1 |   |  |
| C10   | 263005-3 | RUBBER PIN 6                |   | 2 |   |  |
| C20   | 422749-6 | RUBBER SHEET                |   | 1 |   |  |
| D10   |          | INC. 80                     |   |   |   |  |
| 074   | 266326-2 | TAPPING SCREW 4X18          |   | 5 |   |  |
| 075   | 620C56-1 | CONTROLLER                  |   | 1 | * |  |
| 075-1 | 620F98-3 | CONTROLLER                  | < | 1 |   |  |
| 076   | 687260-7 | STRAIN RELIEF               |   | 1 |   |  |
| 077   | 266326-2 | TAPPING SCREW 4X18          |   | 1 |   |  |
| 078   | 911258-5 | PAN HEAD SCREW M5X35        |   | 1 |   |  |
| 079   | 644809-6 | TERMINAL                    |   | 1 |   |  |
| 080   | 183P07-8 | HOUSING SET                 |   | 1 | * |  |
| C10   | 263005-3 | RUBBER PIN 6                |   | 2 | * |  |
| D10   |          | INC. 73                     |   |   |   |  |
| 080-1 | 183T27-6 | HOUSING SET                 | < | 1 |   |  |

|       |          |                                   |   |   |   |  |
|-------|----------|-----------------------------------|---|---|---|--|
| C10   | 263005-3 | RUBBER PIN 6                      |   | 2 |   |  |
| C20   | 422749-6 | RUBBER SHEET                      |   | 1 |   |  |
| D10   |          | INC. 73                           |   |   |   |  |
| 081   | 266326-2 | TAPPING SCREW 4X18                |   | 6 |   |  |
| 082   | 857D15-0 | DUR191U NAME PLATE                |   | 1 |   |  |
| 083   | 857D18-4 | DUR191U SERIAL NO. LABEL          |   | 1 |   |  |
| A01   | 125520-4 | BAND ASSEMBLY                     |   | 1 |   |  |
| A05   | 198893-8 | CUTTER ASSEMBLY 95-M10L SET<br>ME |   | 1 |   |  |
| C10   | 144259-0 | SPOOL COVER COMPLETE              |   | 1 |   |  |
| C20   | 232289-4 | COMPRESSION SPRING 15             |   | 1 |   |  |
| C30   | 456640-6 | SPOOL HOLDER                      |   | 1 |   |  |
| C40   | 456642-2 | SPOOL                             |   | 1 |   |  |
| A06   | 831304-7 | ACCESSORY BAG                     |   | 1 |   |  |
| A12   | 424596-1 | CAP 24                            |   | 1 |   |  |
| A13   | 783202-0 | HEX. WRENCH 4                     |   | 1 |   |  |
| E01   | 807949-3 | SOUND 94DB LABEL                  |   | 1 | * |  |
| E01-1 | 807E85-5 | SOUND 92DB LABEL                  | < | 1 |   |  |
| A05   | 191D89-4 | TRIMMER HEAD 96-M10L SET          |   | 1 |   |  |

Please state Parts No. when your order.

Print Date 10/25/2023