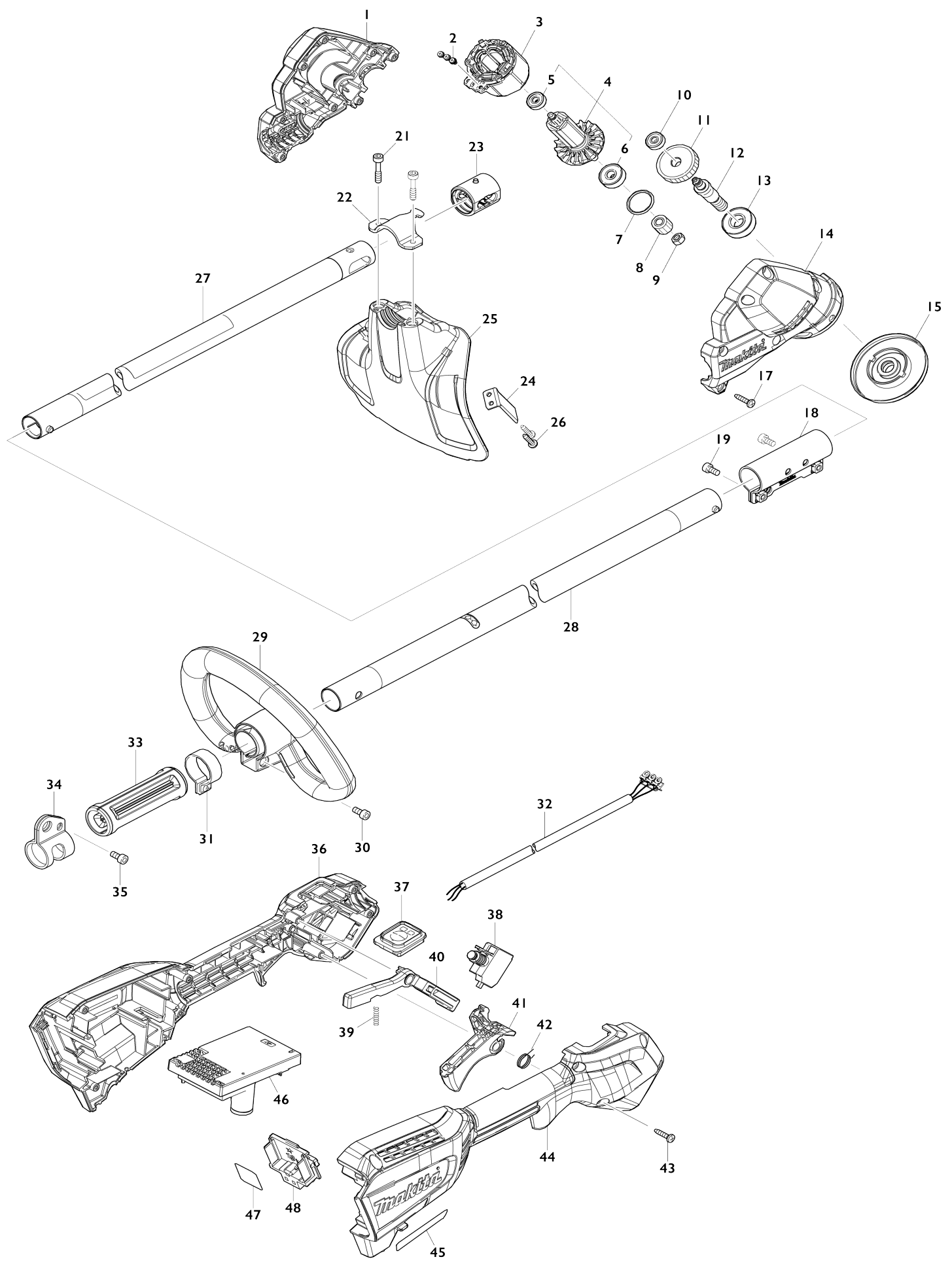


# Model No.DUR192L CORDLESS GRASS TRIMMER



Model No.DUR192L CORDLESS GRASS TRIMMER

Item No.	Parts No.	Description	Interchangability	Q'ty	New/Old	Note1	Note2
001	183R54-1	MOTOR HOUSING SET		1			
D10		INC. 14					
002	652069-6	FLAT HEAD SCREW M3X6		3			
003	629A22-3	STATOR		1			
004	519643-2	ROTOR ASS'Y		1			
D10		INC. 5,6					
005	210235-7	BALL BEARING 625ZZ		1			
006	210236-5	BALL BEARING 627ZZ		1			
007	213843-3	O-RING 21		1	*		
007-1	213925-1	O-RING 21	O	1			
008	227831-4	HELICAL GEAR 11		1	*		
008-1	227883-5	HELICAL GEAR 11	<	1	*		
008-2	227831-4	HELICAL GEAR 11	O	1			
009	931302-2	HEX. NUT M6		1			
010	210235-7	BALL BEARING 625ZZ		1			
011	227830-6	HELICAL GEAR 32		1			
012	327678-7	CUTTER SHAFT		1			
013	210216-1	BALL BEARING 6001DDW		1			
014	183R54-1	MOTOR HOUSING SET		1			
D10		INC. 1					
015	140W47-1	RECEIVE WASHER COMPLETE		1			
C10	213134-2	O-RING 11		1	*		
C11	213A62-7	O-RING 11	O	1			
017	266326-2	TAPPING SCREW 4X18		8	*		
017-1	265B67-9	TAPPING SCREW 4X18	O	8			
018	347747-8	JOINT 24		1			
019	922207-7	HEX. SOCKET HEAD BOLT M5X10		2			
021	251513-6	H.S.H.BOLT M5X25		2			
022	347667-6	PROTECTOR CLAMP		1			
023	424567-8	RUBBER SLEEVE 24		1			
024	346855-2	CUTTER		1			
025	412580-8	PROTECTOR N 330		1			
026	266326-2	TAPPING SCREW 4X18		2	*		
026-1	265B67-9	TAPPING SCREW 4X18	O	2			
027	140W46-3	PIPE COMPLETE C		1			
C10	8023L9-8	CAUTION LABEL		1			
C20	819312-8	MAKITA LOGO LABEL		1			
028	140W45-5	PIPE COMPLETE B		1			
C10	808723-2	CAUTION LABEL		1			
029	457937-6	LOOP HANDLE 24		1	*		
029-1	413L67-5	LOOP HANDLE 24	O	1			
030	922212-4	HEX. SOCKET HEAD BOLT M5X12		1			
031	347011-7	PIPE CLAMP 29		1			
032	699157-8	POWER SUPPLY CORD UNIT		1			
033	451601-1	SPACER 24		1			
034	347116-3	HANGER		1			
035	922212-4	HEX. SOCKET HEAD BOLT M5X12		1			

036	183R55-9	GRIP HOUSING SET		1		
C10	263005-3	RUBBER PIN 6		3		
D10		INC. 44				
037	140W41-3	SWITCH CIRCUIT COMPLETE		1		
C10	8007N9-0	SWITCH LABEL		1		
038	651494-8	SWITCH C3JW-1A-PA-2		1		
039	233101-1	COMPRESSION SPRING 4		1		
040	412863-6	LOCK OFF LEVER		1		
041	459758-2	SWITCH LEVER		1		
042	233622-3	TORSION SPRING 12		1		
043	266326-2	TAPPING SCREW 4X18		8	*	
043-1	265B67-9	TAPPING SCREW 4X18	O	8		
044	183R55-9	GRIP HOUSING SET		1		
C10	263005-3	RUBBER PIN 6		3		
D10		INC. 36				
045	857T44-9	DUR192L NAME PLATE		1		
046	620D79-5	CONTROLLER		1		
047	857T51-2	DUR192L SERIAL NO. LABEL		1		
048	644809-6	TERMINAL		1		
A01	198893-8	CUTTER ASSEMBLY 95-M10L SET ME		1		
A02	127508-0	BAND ASS'Y		1		
A03	783202-0	HEX. WRENCH 4		1		
E01	800A41-0	SOUND 89DB LABEL		1	*	
E01-1	802H58-1	SOUND 90DB LABEL	<	1		
F03	197472-9	NYLON CORD 2.0-15M SET		1		
F04	197473-7	NYLON CORD 2.0-30M SET		1		
F05	197474-5	NYLON CORD 2.0-160M SET		1		
F06	197475-3	NYLON CORD 2.0-280M SET		1		
A05	***DC18SD	DC18SD BATTERY CHARGER		1	*	
D10		COMPO-PARTS				
A05-1	***DC18SD	DC18SD BATTERY CHARGER	O	1		
D10		COMPO-PARTS				
A06	197280-8	BATTERY BL1850B SET		1		
A07	450128-8	BATTERY COVER		1		
A05	***DC18RC	DC18RC FAST CHARGER		1		

Please state Parts No. when your order.

Print Date 02/15/2024