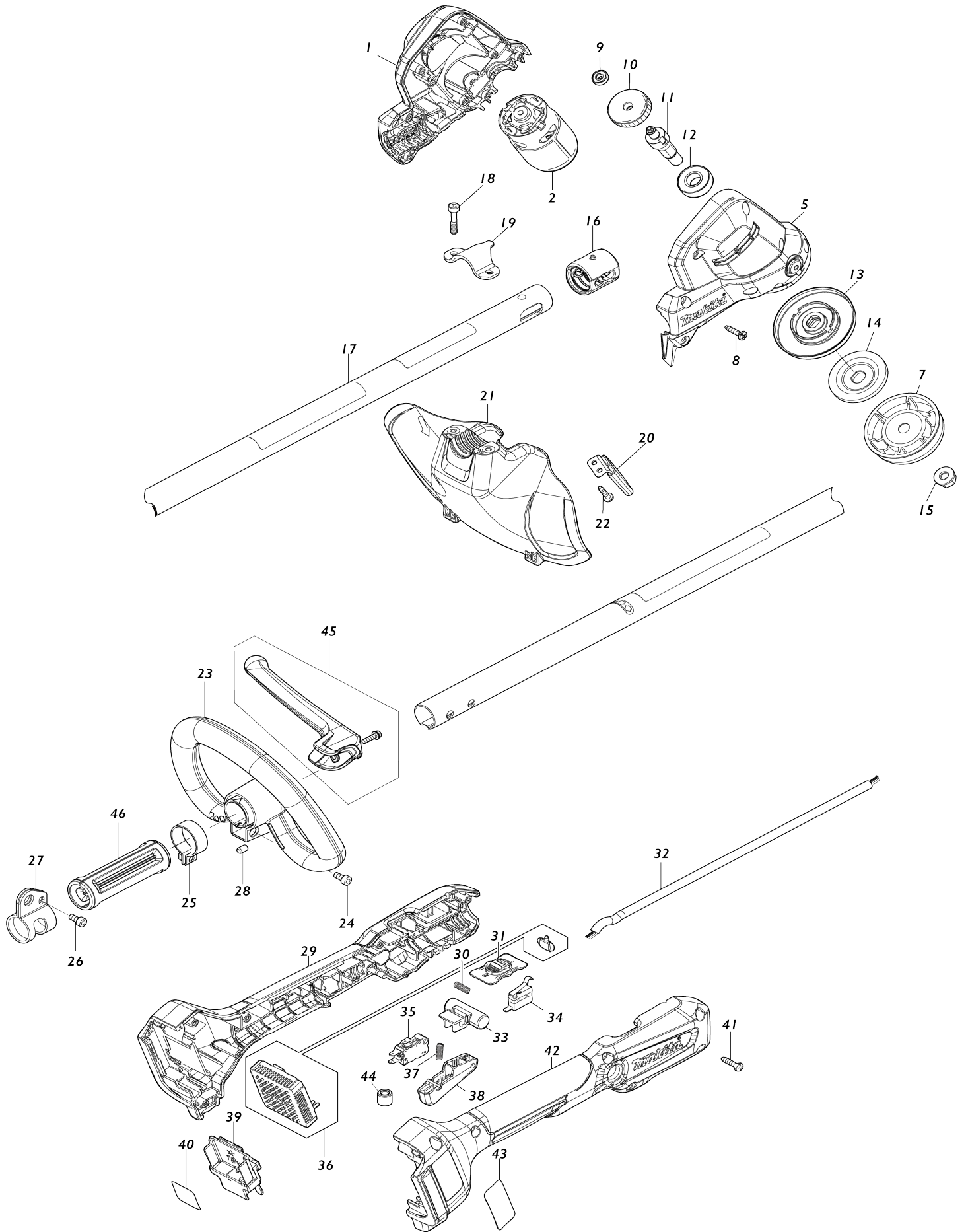


Model No. DUR194 CORDLESS GRASS TRIMMER



Model No.DUR194 CORDLESS GRASS TRIMMER

Item No.	Parts No.	Description	Interchangability	Q'ty	New/Old	Note1	Note2
001	183W20-8	MOTOR HOUSING SET		1			
C10	213021-5	O RING 5		1			
C20	233072-2	COMPRESSION SPRING 8		1			
C30	256546-6	SHOULDER PIN 4		1			
C40	412408-0	PIN CAP		1			
D10		INC. 5					
002	629B20-3	DC MOTOR		1			
005	183W20-8	MOTOR HOUSING SET		1			
C10	213021-5	O RING 5		1			
C20	233072-2	COMPRESSION SPRING 8		1			
C30	256546-6	SHOULDER PIN 4		1			
C40	412408-0	PIN CAP		1			
D10		INC. 1					
007	168526-9	CUP		1			
008	266326-2	TAPPING SCREW 4X18		8			
009	210215-3	BALL BEARING 695ZZ		1			
010	227950-6	HELICAL GEAR 31		1			
011	327542-2	CUTTER SHAFT		1			
012	210216-1	BALL BEARING 6001DDW		1			
013	140T23-7	RECEIVE WASHER COMPLETE		1			
C10	213134-2	O-RING 11		1	*		
C11	213A62-7	O-RING 11	O	1			
014	347668-4	CLAMP WASHER		1			
015	264025-0	HEX. NUT M10-17		1			
016	424567-8	RUBBER SLEEVE 24		1			
017	141K17-1	PIPE COMPLETE B		1			
C10	819312-8	MAKITA LOGO LABEL		1			
C20	808723-2	CAUTION LABEL		1			
C30	8050N8-5	CAUTION LABEL		1			
018	251513-6	H.S.H.BOLT M5X25		2			
019	347667-6	PROTECTOR CLAMP		1			
020	140W25-1	CUTTER COVER COMPLETE		1			
021	413F99-6	PROTECTOR		1			
022	266326-2	TAPPING SCREW 4X18		2			
023	413L67-5	LOOP HANDLE 24		1			
024	922212-4	HEX. SOCKET HEAD BOLT M5X12		1			
025	347011-7	PIPE CLAMP 29		1			
026	922212-4	HEX. SOCKET HEAD BOLT M5X12		1			
027	347116-3	HANGER		1			
028	263005-3	RUBBER PIN 6		1			
029	183V24-4	GRIP HOUSING SET		1			
C10	263005-3	RUBBER PIN 6		3			
D10		INC. 42					
030	231473-8	COMPRESSION SPRING 4		1			
031	413G02-3	SPEED CHANGE LEVER		1			
032	699195-0	POWER SUPPLY CORD UNIT		1			
033	413G01-5	LOCK OFF BUTTON		1			

034	632T87-0	SWITCH UNIT		1		
035	650029-2	SWITCH BMC-1212-002		1		
036	620J07-6	CONTROLLER		1		
037	231473-8	COMPRESSION SPRING 4		1		
038	413714-6	SWITCH LEVER		1		
039	643874-2	TERMINAL		1		
040	8118Y1-4	DUR194 SERIAL NO. LABEL		1		
041	266326-2	TAPPING SCREW 4X18		8		
042	183V24-4	GRIP HOUSING SET		1		
C10	263005-3	RUBBER PIN 6		3		
D10		INC. 29				
043	8118X5-9	DUR194 NAME PLATE		1		
044	688163-8	LINE FILTER		1		
045	143695-7	BARRIER COMPLETE		1		
C10	911128-8	P.H.SCREW M4X16 WITH WR		1		
046	451601-1	SPACER 24		1		
A01	127508-0	BAND ASS'Y		1		
A02	191Y44-2	CUTTER BLADE 200-8 SET MG		1		
A04	456924-2	TOOL COVER		1		
A05	783013-3	BOX DRIVER 16-17		1		
A06	191D89-4	TRIMMER HEAD 96-M10L SET		1		
A10	831304-7	ACCESSORY BAG		1		
A11	783202-0	HEX. WRENCH 4		1		
B01	191W97-9	METAL BLADE ACCESSORY SET		1		
D10		INC.007, 014, 015, A04				
E01	800A66-4	SOUND 91DB LABEL		1		
F06	191Y44-2	CUTTER BLADE 200-8 SET MG		1		
F07	191Y45-0	PLASTIC BLADE 230 SET MG		1		
A07	***DC18RC	DC18RC FAST CHARGER		1		
D10		COMPO-PARTS				
A08	197280-8	BATTERY BL1850B SET		1		

Please state Parts No. when your order.

Print Date 02/15/2024