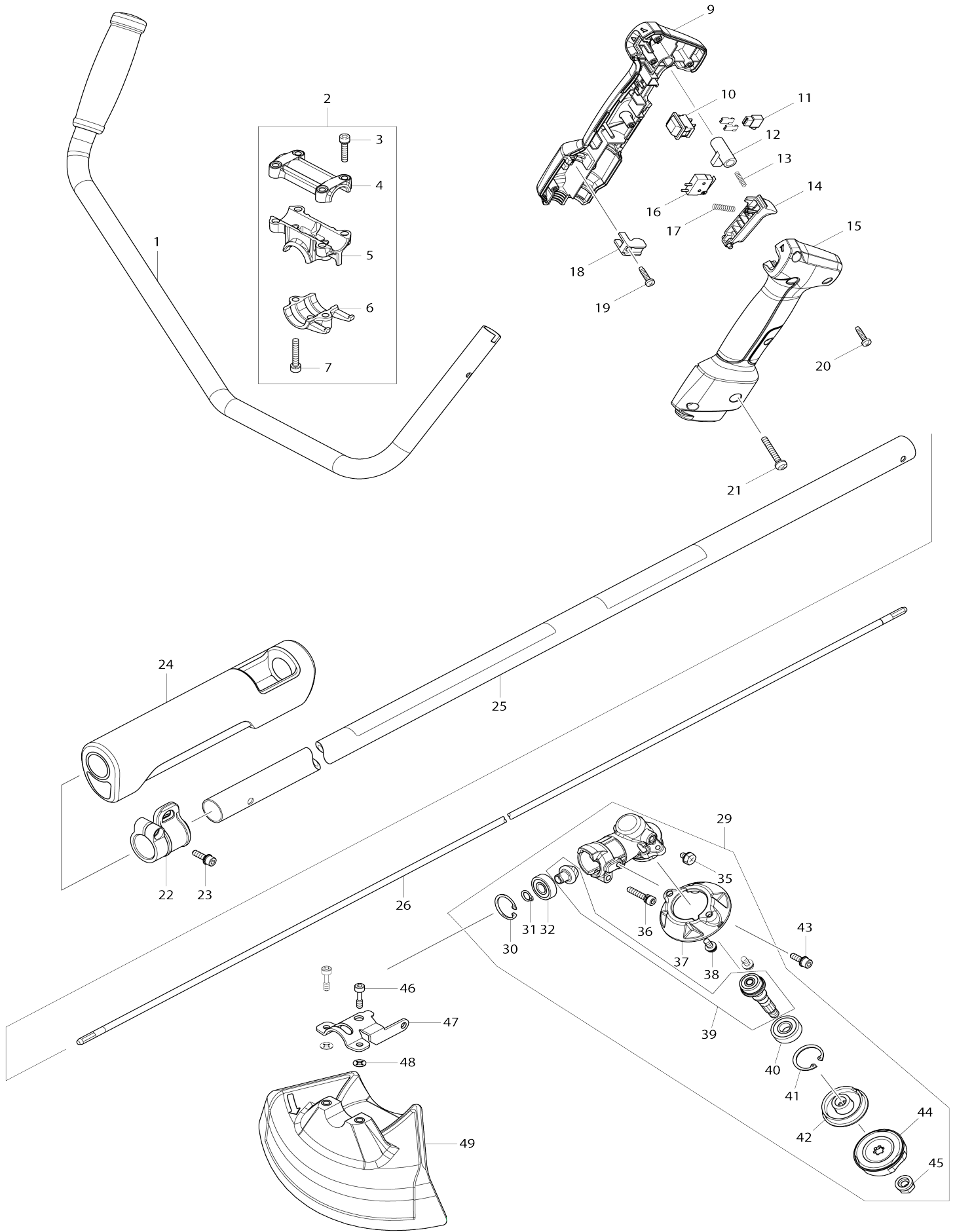
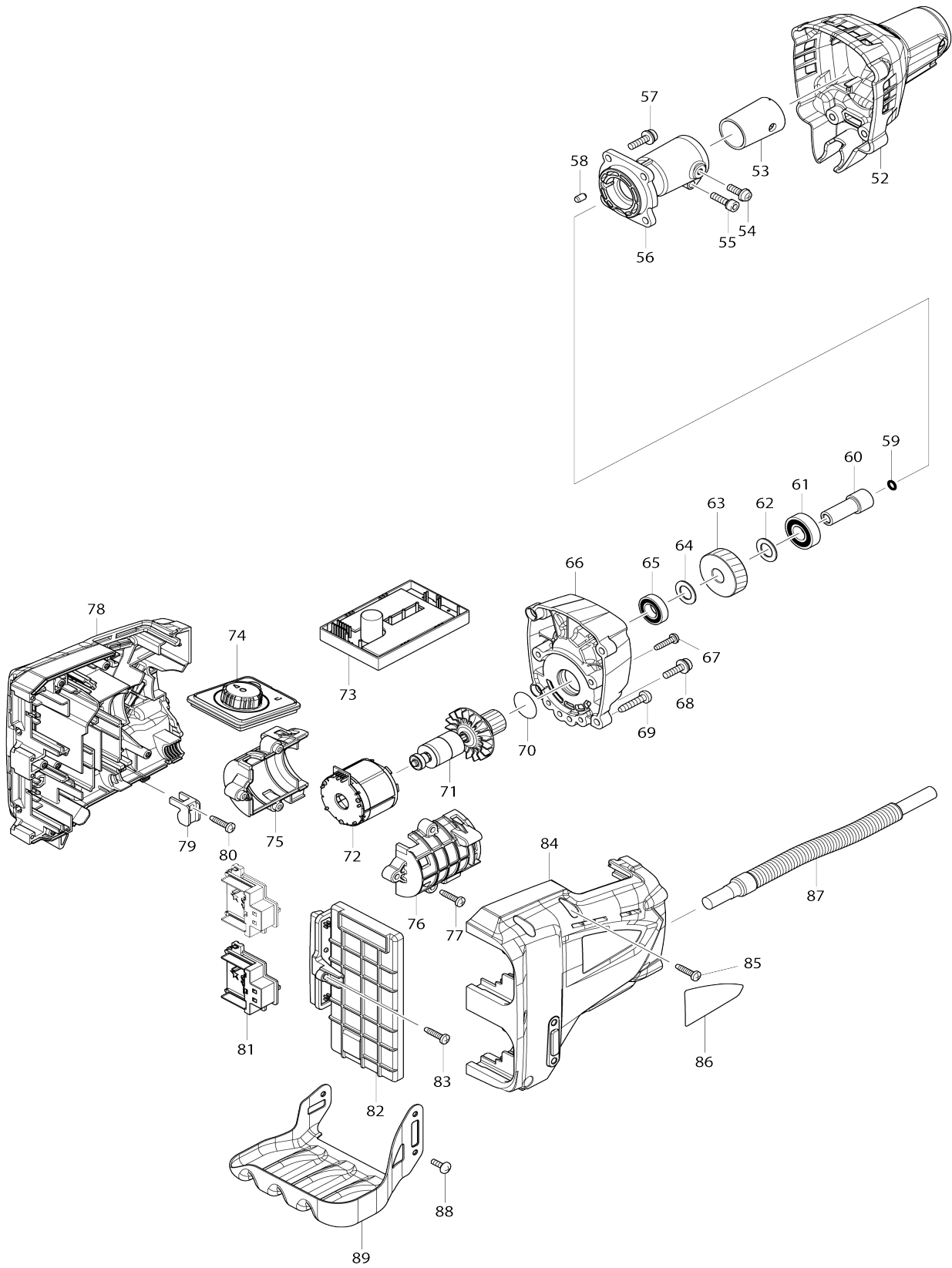


Model No.DUR361U CORDLESS GRASS TRIMMER



Model No.DUR361U CORDLESS GRASS TRIMMER



Model No.DUR361U CORDLESS GRASS TRIMMER

Item No.	Parts No.	Description	Interchangability	Q'ty	New/Old	Note1	Note2
001	142636-0	HANDLE COMPLETE		1			
002	135395-3	HANDLE HOLDER ASS'Y		1			
D10		INC. 3-7					
003	922241-7	HEX. SOCKET HEAD BOLT M5X25		4			
004	318272-6	HANDLE HOLDER 1		1			
005	318273-4	HANDLE HOLDER 2		1			
006	318274-2	HANDLE HOLDER 3		1			
007	922251-4	HEX. SOCKET HEAD BOLT M5X30		2			
009	187587-0	MAIN GRIP SET		1			
D10		INC. 15					
010	651533-4	SWITCH SLE6A2-33		1			
011	686015-7	RECEPTACLE SLEEVE		1			
012	454298-5	LOCK OFF BUTTON		1			
013	233114-2	COMPRESSION SPRING 4		1			
014	454295-1	SWITCH LEVER		1			
015	187587-0	MAIN GRIP SET		1			
D10		INC. 9					
016	650704-0	SWITCH D2SW-P01L1-3M		1			
017	234003-4	COMPRESSION SPRING 5		1			
018	687261-5	STRAIN RELIEF		1			
019	265995-6	TAPPING SCREW 4X18		1			
020	265995-6	TAPPING SCREW 4X18		5			
021	911256-9	PAN HEAD SCREW M5X35		1			
022	168478-4	HANGER		1			
023	922228-9	H.S.H.BOLT M5X18 WITH WR		1			
024	424463-0	CUSHION		1			
025	142648-3	SHAFT PIPE COMPLETE N		1			
C10	801H77-4	CAUTION LABEL		1			
C20	819312-8	MAKITA LOGO LABEL		1			
026	324893-4	SHAFT		1			
029	126438-2	GEAR CASE ASSEMBLY A		1			
D10		INC. 30-32,35-42,44,45					
030	257987-9	RETAINING RING (INT)R-24		1			
031	257986-1	RETAINING RING (EXT) S-9		1			
032	210049-4	BALL BEARING 609ZZ		1			
035	265578-2	+HEX.BOLT M6X8		1			
036	266805-0	H.S.H.BOLT M5X25 WITH W		1			
037	455026-1	GUARD		1			
038	265195-8	+PAN HEAD SCREW M5X12		2			
039	187920-6	CUTTER SHAFT SET		1			
040	210082-6	BALL BEARING 600DDU		1			
041	257988-7	RETAINING RING (INT) R-26		1			
042	332042-9	RECEIVE WASHER		1			
043	922223-9	H.S.H.BOLT M5X16 WITH WR		1			
044	168797-8	CLAMP WASHER COMPLETE		1			
045	264018-7	HEX.NUT M8		1			
046	266896-1	HEX. SOCKET HEAD BOLT M5X20		2			

047	346785-7	PROTECTOR CLAMP		1		
048	261156-6	POLYPROPYLENE WASHER 4		2		
049	455172-0	PROTECTOR		1		
052	454995-3	GEAR BOX COVER		1		
053	424307-4	PIPE RUBBER		1		
054	911223-4	PAN HEAD SCREW M5X16		1		
055	922231-0	HEX. SOCKET HEAD BOLT M5X20		1		
056	318560-1	PIPE BRACKET		1		
057	911233-1	PAN HEAD SCREW M5X20		4		
058	263002-9	RUBBER PIN 4		1		
059	213045-1	O-RING 6		1		
060	325811-5	SPINDLE HUB		1		
061	211148-5	BALL BEARING 6001ZZ		1		
062	253744-3	FLAT WASHER 12		1		
063	227720-3	HELICAL GEAR 33		1		
064	253744-3	FLAT WASHER 12		1		
065	211150-8	BALL BEARING 6901ZZ		1		
066	318559-6	GEAR BOX		1		
067	265995-6	TAPPING SCREW 4X18		4		
068	911233-1	PAN HEAD SCREW M5X20		2		
069	266041-8	TAPPING SCREW 5X25		4		
070	213961-7	O RING 22		1		
071	619254-4	ROTOR		1		
072	629123-1	STATOR		1		
073	620285-8	CONTROLLER		1	*	
073-1	620500-0	CONTROLLER	S	1		
074	142639-4	SUB CONTROLLER COMPLETE A		1		
075	188838-4	MOTOR HOUSING SET		1		
D10		INC. 76				
076	188838-4	MOTOR HOUSING SET		1		
D10		INC. 75				
077	265995-6	TAPPING SCREW 4X18		3		
078	187876-3	HOUSING SET		1	*	
D10		INC. 84				
078-1	183B91-9	HOUSING SET	S	1		
D10		INC. 84				
079	687261-5	STRAIN RELIEF		1		
080	265995-6	TAPPING SCREW 4X18		1		
081	644808-8	TERMINAL		2		
082	142642-5	ADAPTER CIRCUIT COMPLETE		1		
083	265995-6	TAPPING SCREW 4X18		3		
084	187876-3	HOUSING SET		1	*	
D10		INC. 78				
084-1	183B91-9	HOUSING SET	S	1		
D10		INC. 78				
085	265995-6	TAPPING SCREW 4X18		5		
086	815N65-1	DUR361U NAME PLATE		1		
087	699060-3	POWER SUPPLY CORD UNIT		1		
088	251314-2	+ SCREW M4X12		3		
089	346784-9	BATTERY GUARD		1		
A01	125516-5	BAND ASSEMBLY		1		
A02	195150-5	CUTTER BLADE SET		1	*	

A02-1	195150-5	CUTTER BLADE SET	O	1			
A03	195246-2	SAFETY GOGGLE		1	*		
A04	450573-7	TOOL COVER		2	*		
A04-1	456924-2	TOOL COVER	O	1			
A05	783018-3	BOX DRIVER		1			
A06	783202-0	HEX. WRENCH 4		1			
A07	831304-7	ACCESSORY BAG		1			
E01	807811-2	SOUND 96DB LABEL		1			
F05-3	197606-4	BATTERY BL1830B SET (2PIECES)	O	1			
F08-3	197600-6	BATTERY BL1830B SET	O	1			
F09-4	197599-5	BATTERY BL1830B SET	O	1			

Please state Parts No. when your order.

Print Date 18/10/2023