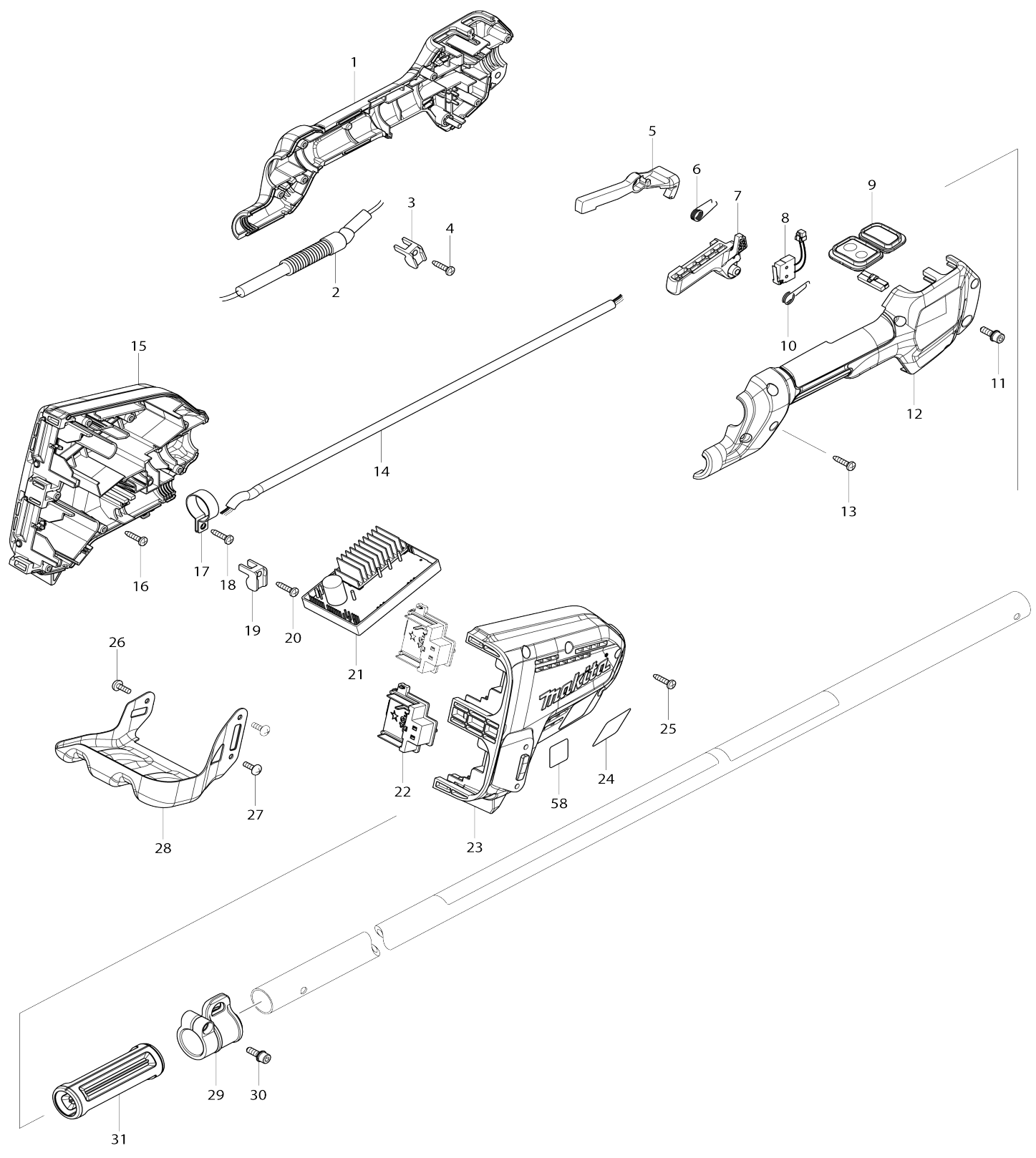
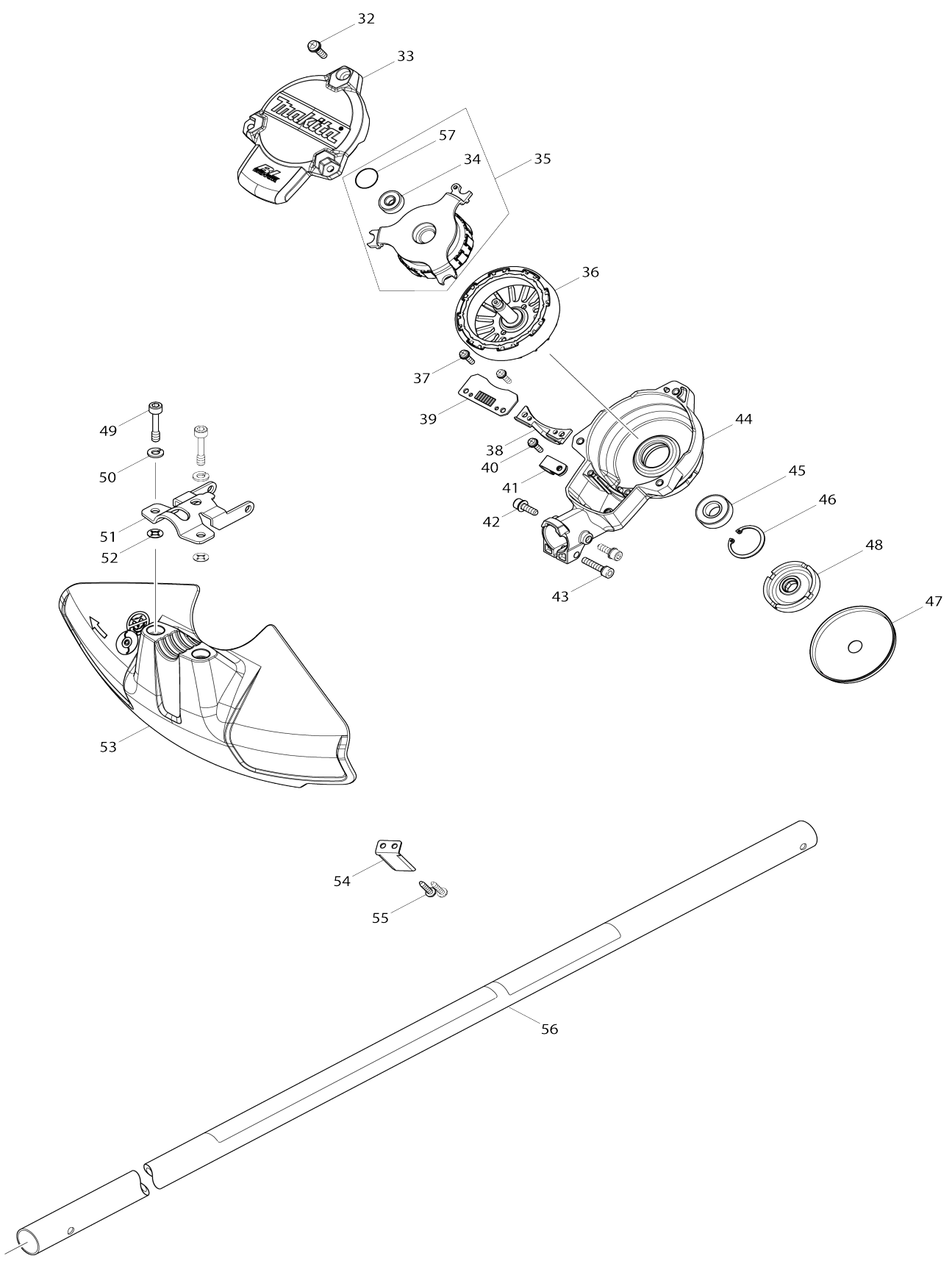


Model No.DUR364L CORDLESS GRASS TRIMMER



Model No.DUR364L CORDLESS GRASS TRIMMER



Model No.DUR364L CORDLESS GRASS TRIMMER

| Item No. | Parts No. | Description | Interchangeability | Q'ty | New/Old | Note1 | Note2 |
|----------|-----------|--------------------------|--------------------|------|---------|-------|-------|
| 001 | 183A19-1 | GRIP SET | | 1 | | | |
| D10 | | INC. 12 | | | | | |
| 002 | 699068-7 | POWER SUPPLY CORD UNIT | | 1 | | | |
| 003 | 687261-5 | STRAIN RELIEF | | 1 | | | |
| 004 | 266326-2 | TAPPING SCREW 4X18 | | 1 | | | |
| 005 | 455629-1 | LOCK OFF LEVER | | 1 | * | | |
| 005-1 | 413Y35-6 | LOCK OFF LEVER | O | 1 | | | |
| 006 | 233621-5 | TORSION SPRING 9 | | 1 | | | |
| 007 | 455625-9 | SWITCH LEVER | | 1 | | | |
| 008 | 632E26-0 | SWITCH UNIT | | 1 | | | |
| 009 | 143040-6 | SUB CONTROLLER COMPLETE | | 1 | | | |
| 010 | 233612-6 | TORSION SPRING 10 | | 1 | | | |
| 011 | 922228-9 | H.S.H.BOLT M5X18 WITH WR | | 1 | | | |
| 012 | 183A19-1 | GRIP SET | | 1 | | | |
| D10 | | INC. 1 | | | | | |
| 013 | 266326-2 | TAPPING SCREW 4X18 | | 6 | | | |
| 014 | 699067-9 | POWER SUPPLY CORD UNIT | | 1 | | | |
| 015 | 183A64-6 | HOUSING SET | | 1 | * | | |
| C10 | 263005-3 | RUBBER PIN 6 | | 4 | * | | |
| D10 | | INC. 23 | | | | | |
| 015-1 | 183A64-6 | HOUSING SET | O | 1 | | | |
| C10 | 263005-3 | RUBBER PIN 6 | | 4 | | | |
| D10 | | INC. 23 | | | | | |
| 016 | 266326-2 | TAPPING SCREW 4X18 | | 3 | | | |
| 017 | 346248-3 | CLAMP 24 | | 1 | | | |
| 018 | 266326-2 | TAPPING SCREW 4X18 | | 1 | | | |
| 019 | 687261-5 | STRAIN RELIEF | | 1 | | | |
| 020 | 266326-2 | TAPPING SCREW 4X18 | | 1 | | | |
| 021 | 143061-8 | CONTROLLER COMPLETE | | 1 | * | | |
| 021-1 | 144367-7 | CONTROLLER COMPLETE | S | 1 | | | |
| 022 | 644808-8 | TERMINAL | | 2 | | | |
| 023 | 183A64-6 | HOUSING SET | | 1 | * | | |
| C10 | 263005-3 | RUBBER PIN 6 | | 4 | * | | |
| D10 | | INC. 15 | | | | | |
| 023-1 | 183A64-6 | HOUSING SET | O | 1 | | | |
| C10 | 263005-3 | RUBBER PIN 6 | | 4 | | | |
| D10 | | INC. 15 | | | | | |
| 024 | 850N97-1 | DUR364L NAME PLATE | | 1 | | | |
| 025 | 266326-2 | TAPPING SCREW 4X18 | | 7 | | | |
| 026 | 251314-2 | + SCREW M4X12 | | 1 | | | |
| 027 | 251314-2 | + SCREW M4X12 | | 2 | | | |
| 028 | 346858-6 | BATTERY GUARD | | 1 | | | |
| 029 | 168478-4 | HANGER | | 1 | | | |
| 030 | 922228-9 | H.S.H.BOLT M5X18 WITH WR | | 1 | | | |
| 031 | 451601-1 | SPACER 24 | | 1 | | | |
| 032 | 911233-1 | PAN HEAD SCREW M5X20 | | 3 | | | |
| 033 | 455626-7 | TOP COVER | | 1 | | | |

| | | | | | | | |
|-------|----------|----------------------------------|---|---|---|--|--|
| 034 | 210062-2 | BALL BEARING 607ZZ | | 1 | * | | |
| 034-1 | 210269-0 | BALL BEARING 607ZZ | O | 1 | | | |
| 035 | 529146-8 | STATOR ASS'Y | | 1 | * | | |
| D10 | | INC. 34,57 | | | | | |
| 035-1 | 529146-8 | STATOR ASS'Y | O | 1 | * | | |
| D10 | | INC. 34,57 | | | | | |
| 035-2 | 520136-4 | STATOR ASS'Y | < | 1 | * | | |
| D10 | | INC. 34,57 | | | | | |
| 035-3 | 520135-6 | STATOR ASS'Y | O | 1 | * | | |
| D10 | | INC. 34,57 | | | | | |
| 035-4 | 592E25-3 | STATOR ASS'Y | O | 1 | | | |
| D10 | | INC. 34,57 | | | | | |
| 036 | 619360-5 | ROTOR | | 1 | * | | |
| 036-1 | 619460-1 | ROTOR | < | 1 | | | |
| 037 | 911128-8 | P.H.SCREW M4X16 WITH WR | | 2 | | | |
| 038 | 455628-3 | INNER COVER | | 1 | | | |
| 039 | 620401-2 | CONTROLLER B | | 1 | * | | |
| 039-1 | 620562-8 | CONTROLLER B | S | 1 | * | | |
| 039-2 | 620E48-2 | CONTROLLER B | O | 1 | | | |
| 040 | 911128-8 | P.H.SCREW M4X16 WITH WR | | 1 | | | |
| 041 | 687042-7 | STRAIN RELIEF | | 1 | | | |
| 042 | 922223-9 | H.S.H.BOLT M5X16 WITH WR | | 2 | | | |
| 043 | 922241-7 | HEX. SOCKET HEAD BOLT M5X25 | | 1 | | | |
| 044 | 143039-1 | MOTOR HOUSING COMPLETE | | 1 | | | |
| 045 | 211131-2 | BALL BEARING 6001DDW | | 1 | | | |
| 046 | 962106-1 | RETAINING RING R-28 | | 1 | | | |
| 047 | 346857-8 | GUARD | | 1 | | | |
| 048 | 319245-2 | RECEIVE WASHER | | 1 | | | |
| 049 | 266579-3 | HEX SOCKET HEAD BOLT M6X30 | | 2 | | | |
| 050 | 942151-2 | SPRING WASHER 6 | | 2 | * | | |
| 050-1 | 253428-3 | SPRING WASHER 6 | O | 2 | | | |
| 051 | 346073-2 | PROTECTOR CLAMP | | 1 | | | |
| 052 | 413143-3 | WASHER | | 2 | | | |
| 053 | 455622-5 | PROTECTOR | | 1 | | | |
| 054 | 346855-2 | CUTTER | | 1 | | | |
| 055 | 266326-2 | TAPPING SCREW 4X18 | | 2 | | | |
| 056 | 143011-3 | PIPE COMPLETE A | | 1 | | | |
| C10 | 805V85-1 | CAUTION LABEL | | 1 | | | |
| C20 | 819312-8 | MAKITA LOGO LABEL | | 1 | | | |
| 057 | 213325-5 | O RING 19 | | 1 | | | |
| 058 | 802H58-1 | SOUND 90DB LABEL | | 1 | * | | |
| 058-1 | 807E85-5 | SOUND 92DB LABEL | < | 1 | * | | |
| 058-2 | 802H58-1 | SOUND 90DB LABEL | S | 1 | | | |
| 059 | 326586-9 | RING 14 | S | 1 | * | | |
| A01 | 123291-7 | TRIMMER HEAD ASSEMBLY 90-M 8R | | 1 | | | |
| A02 | 195246-2 | SAFETY GOGGLE | | 1 | * | | |
| A03 | 195626-2 | LOOP HANDLE SET | | 1 | | | |
| C10 | 346467-1 | CLAMP 24 | | 1 | * | | |
| C11 | 347094-7 | CLAMP 24 | O | 1 | | | |
| C20 | 346468-9 | CLAMP 33 | | 1 | | | |
| C30 | 452843-0 | CLAMP COVER B | | 1 | | | |

| | | | | | | |
|-------|-----------|--------------------------------|---|---|---|--|
| C40 | 922243-3 | HEX. SOCKET HEAD BOLT M5X25 | | 2 | | |
| A04 | 783202-0 | HEX. WRENCH 4 | | 1 | | |
| A05 | 783217-7 | HEX. WRENCH 5 | | 1 | | |
| A06 | 831304-7 | ACCESSORY BAG | | 1 | | |
| A07 | 729079-9 | PLASTIC BLADE 255 | | 1 | * | |
| A07-1 | 126641-5 | PLASTIC BLADE ASSEMBLY 255-M8R | S | 1 | | |
| A11 | 264116-7 | HEX.NUT M8-14 | | 1 | * | |
| A12 | 125516-5 | BAND ASSEMBLY | | 1 | | |
| F01-2 | 197267-0 | BATTERY BL1840B SET | O | 1 | | |
| F02-2 | 197267-0 | BATTERY BL1840B SET | O | 1 | | |
| F03-2 | 197265-4 | BATTERY BL1840B SET | O | 1 | | |
| F04-2 | 197265-4 | BATTERY BL1840B SET | O | 1 | | |
| F06-2 | 197273-5 | BATTERY BL1840B SET(2PIECES) | O | 1 | | |
| F10 | 197472-9 | NYLON CORD 2.0-15M SET | | 1 | | |
| F11 | 197473-7 | NYLON CORD 2.0-30M SET | | 1 | | |
| F12 | 197474-5 | NYLON CORD 2.0-160M SET | | 1 | | |
| F13 | 197475-3 | NYLON CORD 2.0-280M SET | | 1 | | |
| F14 | 197297-1 | TRIMMER HEAD 90-M8R SET ME | | 1 | | |
| F40 | 191D92-5 | TRIMMER HEAD 96-M8R SET | | 1 | | |
| A07 | 450128-8 | BATTERY COVER | | 2 | * | |
| A08 | ***DC18RC | DC18RC FAST CHARGER | | 1 | | |
| A09 | 196399-0 | BATTERY BL1840 SET | | 2 | * | |
| A09-1 | 197265-4 | BATTERY BL1840B SET | < | 2 | * | |
| A09-2 | 197265-4 | BATTERY BL1840B SET | O | 2 | | |
| A10 | 729079-9 | PLASTIC BLADE 255 | | 1 | * | |
| A10-1 | 126641-5 | PLASTIC BLADE ASSEMBLY 255-M8R | S | 1 | | |

Please state Parts No. when your order.

Print Date 18/10/2023