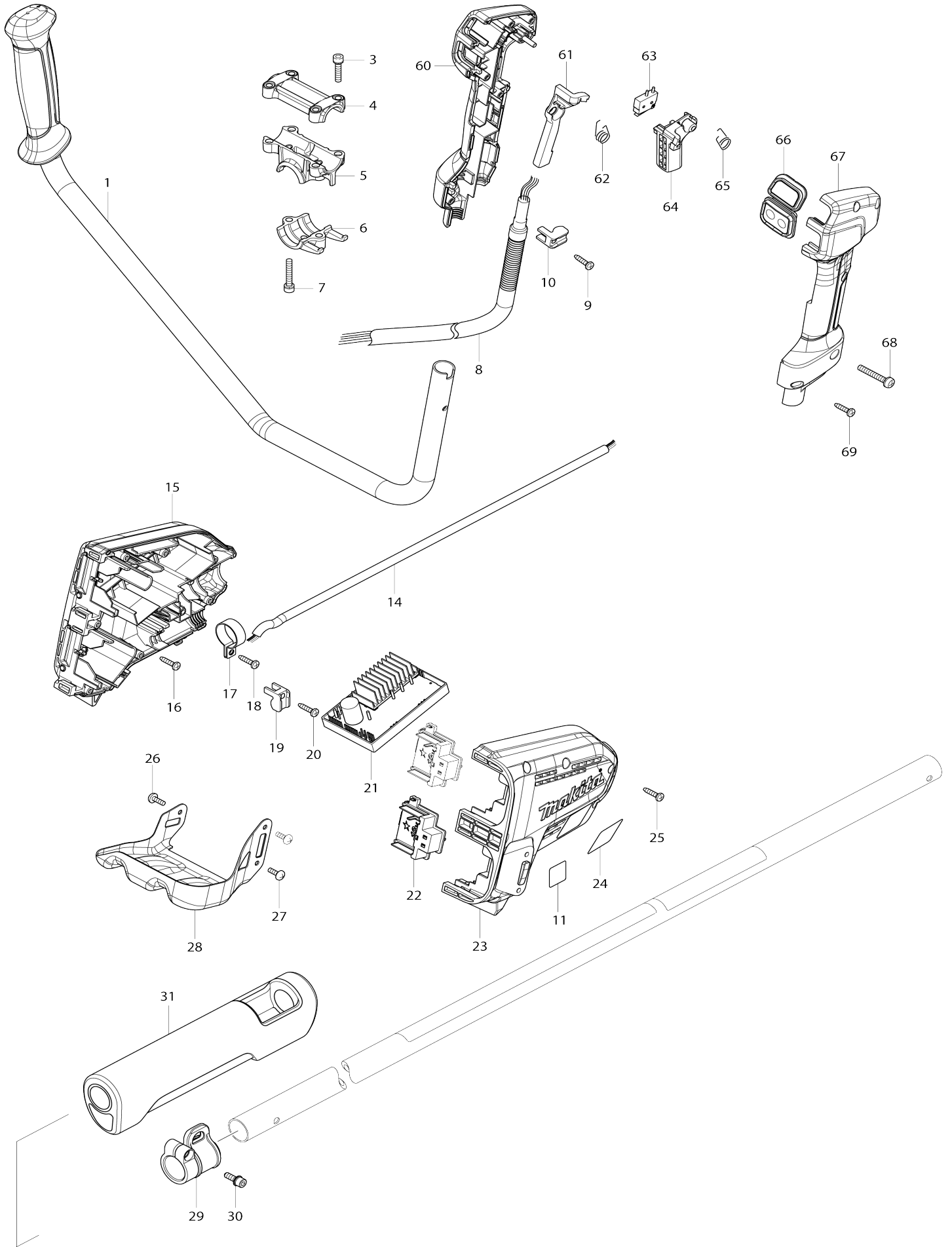
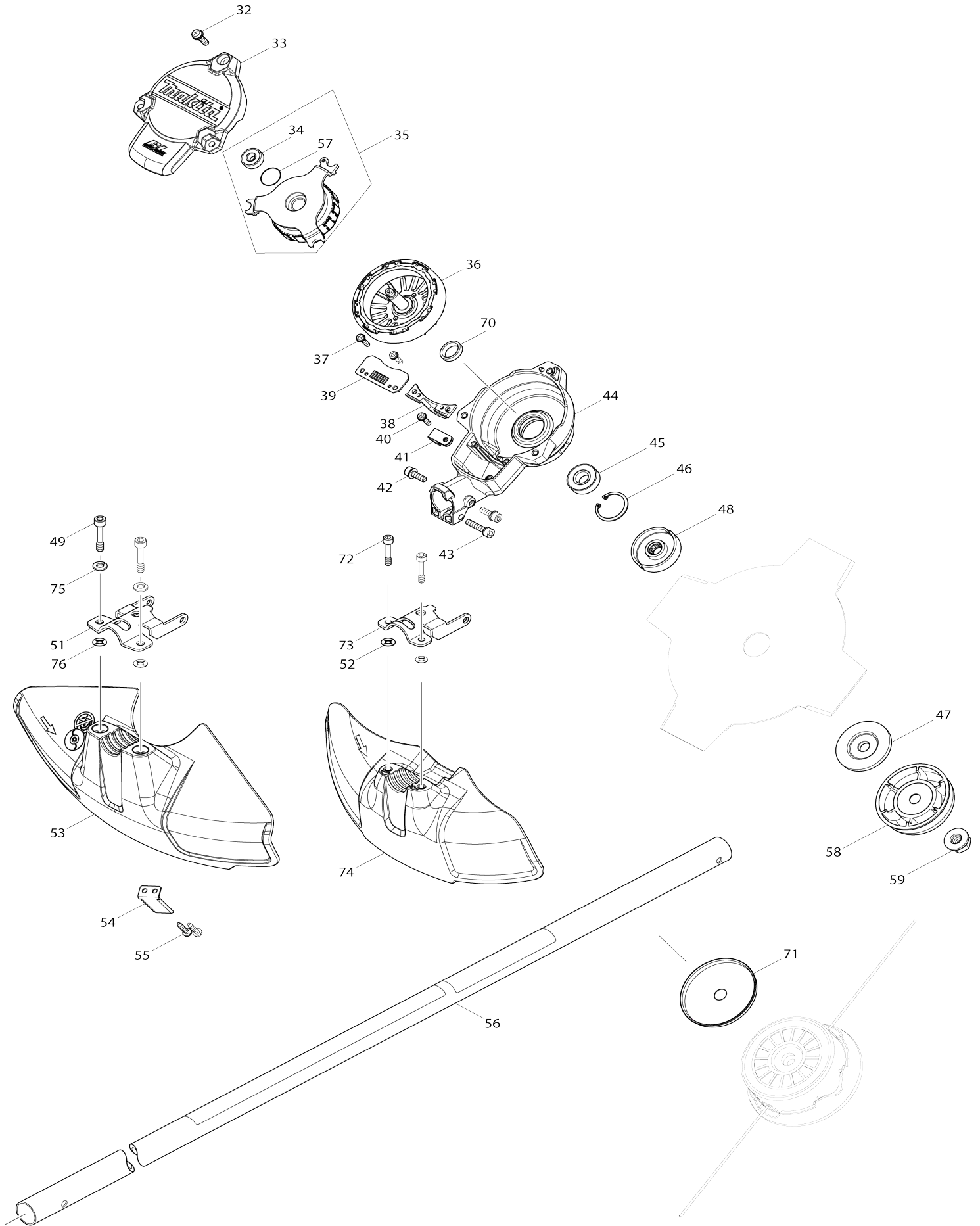


# Model No. DUR365U CORDLESS GRASS TRIMMER



# Model No.DUR365U CORDLESS GRASS TRIMMER



Model No.DUR365U CORDLESS GRASS TRIMMER

Item No.	Parts No.	Description	Interchangeability	Q'ty	New/Old	Note1	Note2
001	143187-6	HANDLE COMPLETE		1			
003	922241-7	HEX. SOCKET HEAD BOLT M5X25		4			
004	318272-6	HANDLE HOLDER 1		1			
005	318273-4	HANDLE HOLDER 2		1			
006	318274-2	HANDLE HOLDER 3		1			
007	922251-4	HEX. SOCKET HEAD BOLT M5X30		2			
008	699069-5	POWER SUPPLY CORD UNIT		1			
009	266326-2	TAPPING SCREW 4X18		1			
010	687261-5	STRAIN RELIEF		1			
011	891003-3	SOUND 93DB LABEL		1	*		
011-1	807E85-5	SOUND 92DB LABEL	S	1			
014	699067-9	POWER SUPPLY CORD UNIT		1			
015	183A64-6	HOUSING SET		1	*		
C10	263005-3	RUBBER PIN 6		4	*		
D10		INC. 23					
015-1	183A64-6	HOUSING SET	O	1			
C10	263005-3	RUBBER PIN 6		4			
D10		INC. 23					
016	266326-2	TAPPING SCREW 4X18		3			
017	346248-3	CLAMP 24		1			
018	266326-2	TAPPING SCREW 4X18		1			
019	687261-5	STRAIN RELIEF		1			
020	266326-2	TAPPING SCREW 4X18		1			
021	143186-8	CONTROLLER COMPLETE		1	*		
021-1	144368-5	CONTROLLER COMPLETE	S	1	*		
021-2	140J17-2	CONTROLLER COMPLETE	<	1			
022	644808-8	TERMINAL		2			
023	183A64-6	HOUSING SET		1	*		
C10	263005-3	RUBBER PIN 6		4	*		
D10		INC. 15					
023-1	183A64-6	HOUSING SET	O	1			
C10	263005-3	RUBBER PIN 6		4			
D10		INC. 15					
024	850U28-2	DUR365U NAME PLATE		1			
025	266326-2	TAPPING SCREW 4X18		7			
026	251314-2	+ SCREW M4X12		1			
027	251314-2	+ SCREW M4X12		2			
028	346858-6	BATTERY GUARD		1			
029	168478-4	HANGER		1			
030	922228-9	H.S.H.BOLT M5X18 WITH WR		1			
031	424463-0	CUSHION		1			
032	911233-1	PAN HEAD SCREW M5X20		3			
033	455626-7	TOP COVER		1			
034	210062-2	BALL BEARING 607ZZ		1	*		
034-1	210269-0	BALL BEARING 607ZZ	O	1			
035	529146-8	STATOR ASS'Y		1	*		
D10		INC. 34,57					

035-1	529146-8	STATOR ASS'Y	O	1	*		
D10		INC. 34,57					
035-2	520136-4	STATOR ASS'Y	<	1	*		
D10		INC. 34,57					
035-3	520135-6	STATOR ASS'Y	O	1	*		
D10		INC. 34,57					
035-4	592E25-3	STATOR ASS'Y	O	1			
D10		INC. 34,57					
036	619368-9	ROTOR		1	*		
036-1	619462-7	ROTOR	<	1			
037	911128-8	P.H.SCREW M4X16 WITH WR		2			
038	455628-3	INNER COVER		1			
039	620401-2	CONTROLLER B		1	*		
039-1	620562-8	CONTROLLER B	S	1	*		
039-2	620E48-2	CONTROLLER B	O	1			
040	911128-8	P.H.SCREW M4X16 WITH WR		1			
041	687042-7	STRAIN RELIEF		1			
042	922223-9	H.S.H.BOLT M5X16 WITH WR		2			
043	922241-7	HEX. SOCKET HEAD BOLT M5X25		1			
044	143039-1	MOTOR HOUSING COMPLETE		1			
045	211131-2	BALL BEARING 6001DDW		1			
046	962106-1	RETAINING RING R-28		1			
047	346084-7	CLAMP WASHER		1			
048	326518-6	RECEIVE WASHER A		1			
049	266579-3	HEX SOCKET HEAD BOLT M6X30		2			
051	346073-2	PROTECTOR CLAMP		1			
052	261156-6	POLYPROPYLENE WASHER 4		2			
053	455926-5	PROTECTOR		1			
054	346855-2	CUTTER		1			
055	266326-2	TAPPING SCREW 4X18		2			
056	143180-0	PIPE COMPLETE E		1			
C10	819312-8	MAKITA LOGO LABEL		1			
C20	806G53-7	CAUTION LABEL		1			
057	213325-5	O RING 19		1			
058	168526-9	CUP		1			
059	264025-0	HEX. NUT M10-17		1			
060	183A77-7	GRIP SET		1			
D10		INC. 67					
061	455629-1	LOCK OFF LEVER		1	*		
061-1	413Y35-6	LOCK OFF LEVER	O	1			
062	233621-5	TORSION SPRING 9		1			
063	632E40-6	SWITCH UNIT		1			
064	455816-2	SWITCH LEVER		1			
065	233612-6	TORSION SPRING 10		1			
066	143185-0	SUB CONTROLLER COMPLETE		1			
067	183A77-7	GRIP SET		1			
D10		INC. 60					
068	911256-9	PAN HEAD SCREW M5X35		1			
069	266326-2	TAPPING SCREW 4X18		5			
070	326586-9	RING 14	S	1	*		
071	346622-5	GUARD		1			
072	266896-1	HEX. SOCKET HEAD BOLT M5X20		2			

073	346785-7	PROTECTOR CLAMP		1			
074	455815-4	PROTECTOR		1	*		
074-1	413886-7	PROTECTOR	O	1			
075	942151-2	SPRING WASHER 6		2	*		
075-1	253428-3	SPRING WASHER 6	O	2			
076	413143-3	WASHER		2			
A01	125516-5	BAND ASSEMBLY		1			
A02	195150-5	CUTTER BLADE SET		1	*		
A02-1	195150-5	CUTTER BLADE SET	O	1			
A03	195246-2	SAFETY GOGGLE		1	*		
A04	450573-7	TOOL COVER		2	*		
A04-1	456924-2	TOOL COVER	O	1			
A05	783013-3	BOX DRIVER 16-17		1			
A06	783217-7	HEX. WRENCH 5		1			
A07	831304-7	ACCESSORY BAG		1			
A08	783202-0	HEX. WRENCH 4		1			
A09	264117-5	HEX.NUT M10-14		1	*		
A10	729079-9	PLASTIC BLADE 255		1	*		
A10-1	126642-3	PLASTIC BLADE ASSEMBLY255-M 10L	S	1			
A11	123363-8	TRIMMER HEAD ASSEMBLY 90-M 10L		1	*		
A11-1	197296-3	TRIMMER HEAD 90-M10L SET ME	O	1			
B01	197294-7	PROTECTOR SET		1			
D10		INC. 47,48,52,58,59,72-74					
B02	197295-5	PROTECTOR SET		1			
D10		INC. 49,51,53-55,71,75,76,A06					
F01-2	197267-0	BATTERY BL1840B SET	O	1			
F02-2	197267-0	BATTERY BL1840B SET	O	1			
F03-2	197265-4	BATTERY BL1840B SET	O	1			
F04-2	197265-4	BATTERY BL1840B SET	O	1			
F06-2	197273-5	BATTERY BL1840B SET(2PIECES)	O	1			
F12	197472-9	NYLON CORD 2.0-15M SET		1			
F13	197473-7	NYLON CORD 2.0-30M SET		1			
F14	197474-5	NYLON CORD 2.0-160M SET		1			
F15	197475-3	NYLON CORD 2.0-280M SET		1			
A11	450128-8	BATTERY COVER		2	*		
A12	***DC18RC	DC18RC FAST CHARGER		1			
A13	196399-0	BATTERY BL1840 SET		2	*		
A13-1	197265-4	BATTERY BL1840B SET	<	2	*		
A13-2	197265-4	BATTERY BL1840B SET	O	2			
A14	123363-8	TRIMMER HEAD ASSEMBLY 90-M 10L		1	*		
A14-1	197296-3	TRIMMER HEAD 90-M10L SET ME	O	1			
A12	***DC18RD	DC18RD TWO PORT FAST CHARG ER		1			
A13-1	197280-8	BATTERY BL1850B SET		2	*		
A13-2	197280-8	BATTERY BL1850B SET	O	2			

Please state Parts No. when your order.

Print Date 26/10/2023