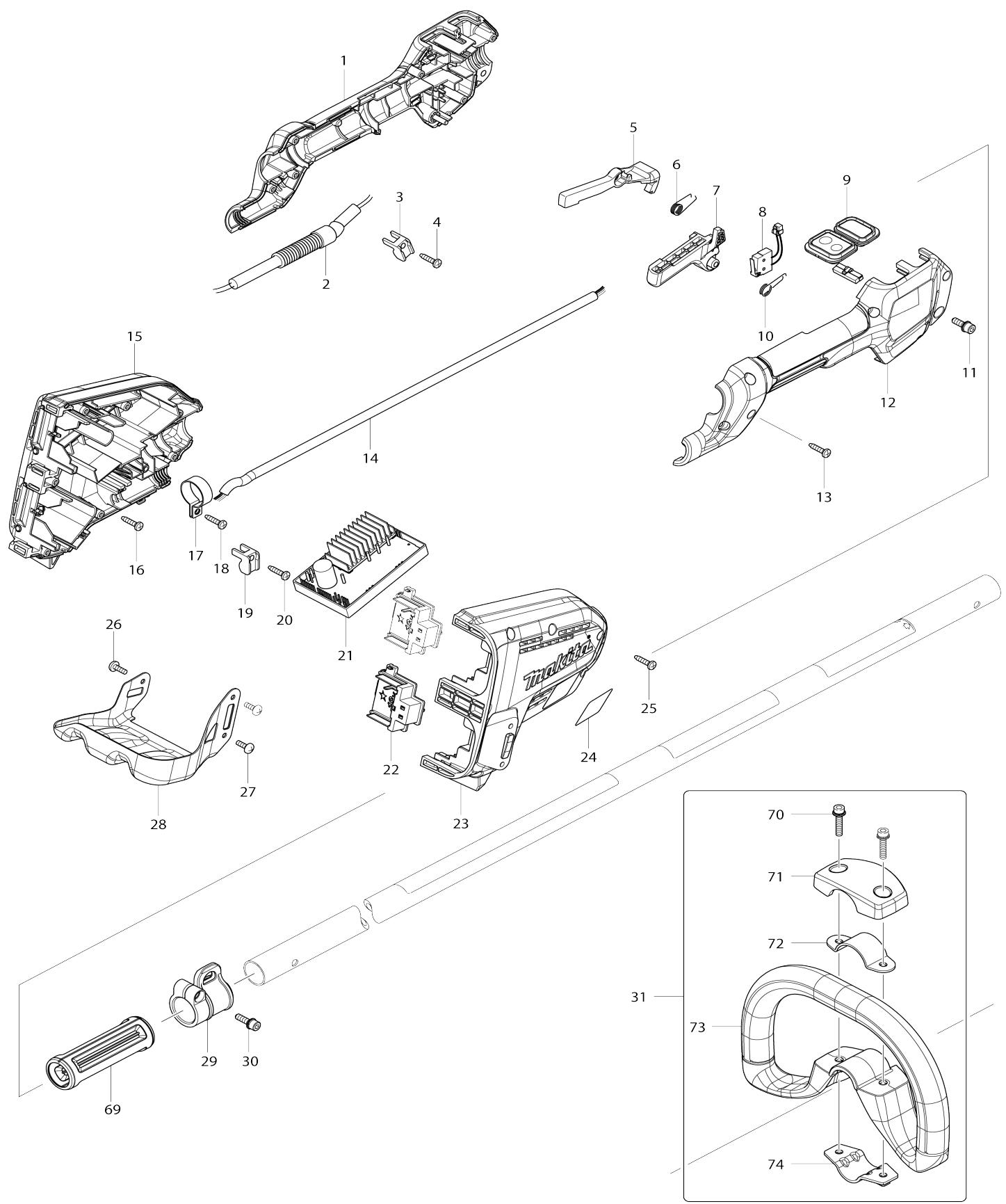
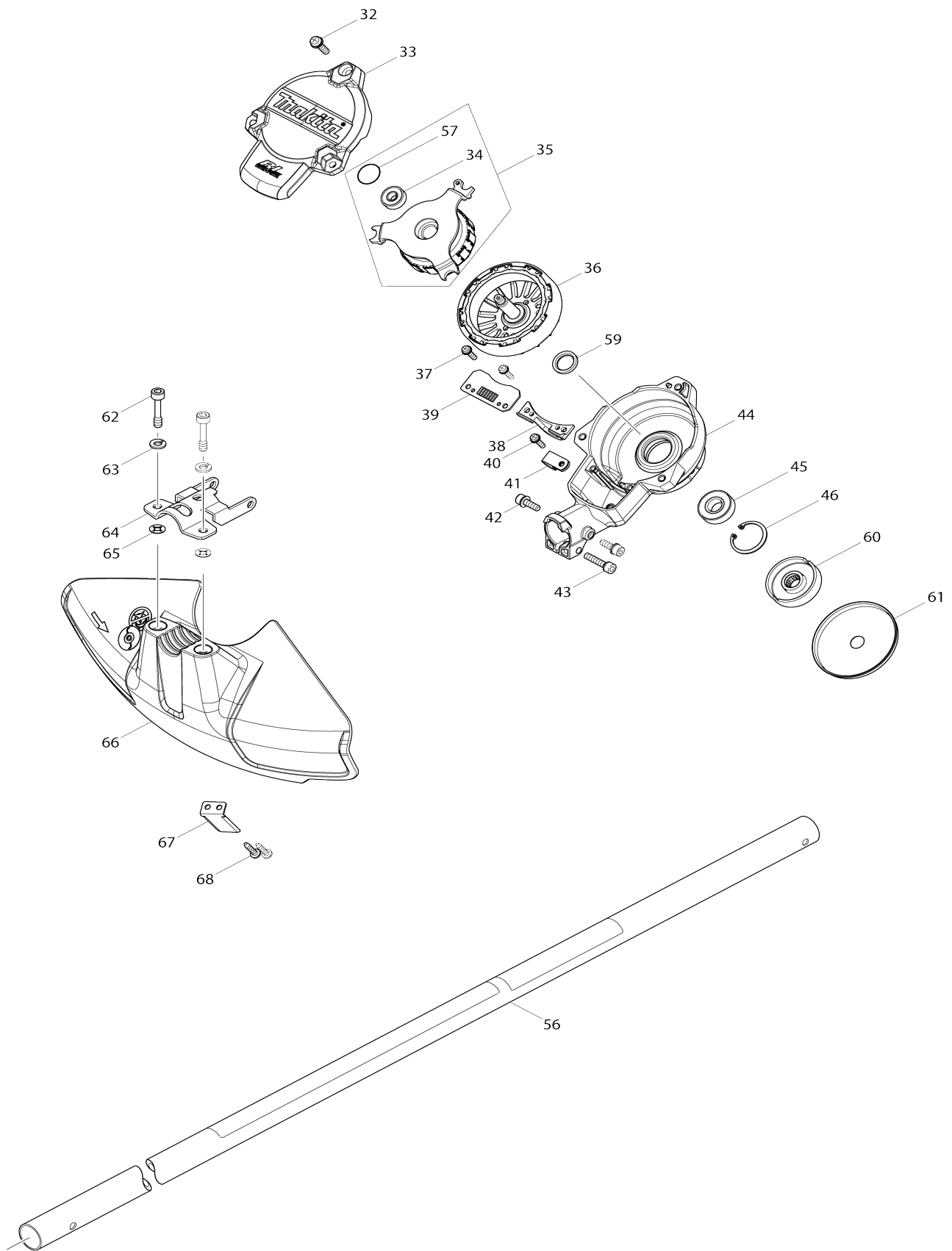


Model No. DUR366L CORDLESS GRASS TRIMMER



Model No.DUR366L CORDLESS GRASS TRIMMER



Model No.DUR366L CORDLESS GRASS TRIMMER

Item No.	Parts No.	Description	Interchangability	Q'ty	New/Old	Note1	Note2
001	183A19-1	GRIP SET		1			
D10		INC. 12					
002	699068-7	POWER SUPPLY CORD UNIT		1			
003	687261-5	STRAIN RELIEF		1			
004	266326-2	TAPPING SCREW 4X18		1			
005	455629-1	LOCK OFF LEVER		1	*		
005-1	413Y35-6	LOCK OFF LEVER	O	1			
006	233621-5	TORSION SPRING 9		1			
007	455625-9	SWITCH LEVER		1			
008	632E26-0	SWITCH UNIT		1			
009	143977-7	SUB CONTROLLER COMPLETE		1			
010	233612-6	TORSION SPRING 10		1			
011	922228-9	H.S.H.BOLT M5X18 WITH WR		1			
012	183A19-1	GRIP SET		1			
D10		INC. 1					
013	266326-2	TAPPING SCREW 4X18		6			
014	699067-9	POWER SUPPLY CORD UNIT		1			
015	183A64-6	HOUSING SET		1	*		
C10	263005-3	RUBBER PIN 6		4	*		
D10		INC. 23					
015-1	183A64-6	HOUSING SET	O	1			
C10	263005-3	RUBBER PIN 6		4			
D10		INC. 23					
016	266326-2	TAPPING SCREW 4X18		3			
017	346248-3	CLAMP 24		1			
018	266326-2	TAPPING SCREW 4X18		1			
019	687261-5	STRAIN RELIEF		1			
020	266326-2	TAPPING SCREW 4X18		1			
021	143858-5	CONTROLLER COMPLETE		1	*		
021-1	144369-3	CONTROLLER COMPLETE	S	1	*		
021-2	140J16-4	CONTROLLER COMPLETE	<	1			
022	644808-8	TERMINAL		2			
023	183A64-6	HOUSING SET		1	*		
C10	263005-3	RUBBER PIN 6		4	*		
D10		INC. 15					
023-1	183A64-6	HOUSING SET	O	1			
C10	263005-3	RUBBER PIN 6		4			
D10		INC. 15					
024	852F92-9	DUR366L NAME PLATE		1			
025	266326-2	TAPPING SCREW 4X18		7			
026	251314-2	+ SCREW M4X12		1			
027	251314-2	+ SCREW M4X12		2			
028	346858-6	BATTERY GUARD		1			
029	168478-4	HANGER		1			
030	922228-9	H.S.H.BOLT M5X18 WITH WR		1			
031	195626-2	LOOP HANDLE SET		1			
D10		INC. 70-74					

032	911233-1	PAN HEAD SCREW M5X20		3		
033	455626-7	TOP COVER		1		
034	210062-2	BALL BEARING 607ZZ		1	*	
034-1	210269-0	BALL BEARING 607ZZ	O	1		
035	529146-8	STATOR ASS'Y		1	*	
D10		INC. 34,57				
035-1	529146-8	STATOR ASS'Y	O	1	*	
D10		INC. 34,57				
035-2	520136-4	STATOR ASS'Y	<	1	*	
D10		INC. 34,57				
035-3	520135-6	STATOR ASS'Y	O	1	*	
D10		INC. 34,57				
035-4	592E25-3	STATOR ASS'Y	O	1		
D10		INC. 34,57				
036	619368-9	ROTOR		1	*	
036-1	619462-7	ROTOR	<	1		
037	911128-8	P.H.SCREW M4X16 WITH WR		2		
038	455628-3	INNER COVER		1		
039	620401-2	CONTROLLER B		1	*	
039-1	620562-8	CONTROLLER B	S	1	*	
039-2	620E48-2	CONTROLLER B	O	1		
040	911128-8	P.H.SCREW M4X16 WITH WR		1		
041	687042-7	STRAIN RELIEF		1		
042	922223-9	H.S.H.BOLT M5X16 WITH WR		2		
043	922241-7	HEX. SOCKET HEAD BOLT M5X25		1		
044	143039-1	MOTOR HOUSING COMPLETE		1		
045	211131-2	BALL BEARING 6001DDW		1		
046	962106-1	RETAINING RING R-28		1		
056	143855-1	PIPE COMPLETE K		1		
C10	809N07-5	CAUTION LABEL		1		
C20	819312-8	MAKITA LOGO LABEL		1		
057	213325-5	O RING 19		1		
059	326586-9	RING 14	S	1	*	
060	326518-6	RECEIVE WASHER A		1		
061	346622-5	GUARD		1		
062	266579-3	HEX SOCKET HEAD BOLT M6X30		2		
063	942151-2	SPRING WASHER 6		2	*	
063-1	253428-3	SPRING WASHER 6	O	2		
064	346073-2	PROTECTOR CLAMP		1		
065	413143-3	WASHER		2		
066	455926-5	PROTECTOR		1		
067	346855-2	CUTTER		1		
068	266326-2	TAPPING SCREW 4X18		2		
069	451601-1	SPACER 24		1		
070	922243-3	HEX. SOCKET HEAD BOLT M5X25		2		
071	452843-0	CLAMP COVER B		1		
072	346468-9	CLAMP 33		1		
073	452841-4	LOOP HANDLE		1		
074	347094-7	CLAMP 24		1		
A01	197296-3	TRIMMER HEAD 90-M10L SET ME		1		
A02	195246-2	SAFETY GOGGLE		1	*	
A03	783202-0	HEX. WRENCH 4		1		

A04	783217-7	HEX. WRENCH 5		1			
A05	831304-7	ACCESSORY BAG		1			
A06	264117-5	HEX.NUT M10-14		1	*		
A07	729079-9	PLASTIC BLADE 255		1	*		
A07-1	126642-3	PLASTIC BLADE ASSEMBLY255-M 10L	S	1			
A12	125516-5	BAND ASSEMBLY		1			
B01	197295-5	PROTECTOR SET		1			
D10		INC. 61-68,A04					
E01	807E85-5	SOUND 92DB LABEL		1			

Please state Parts No. when your order.

Print Date 18/10/2023