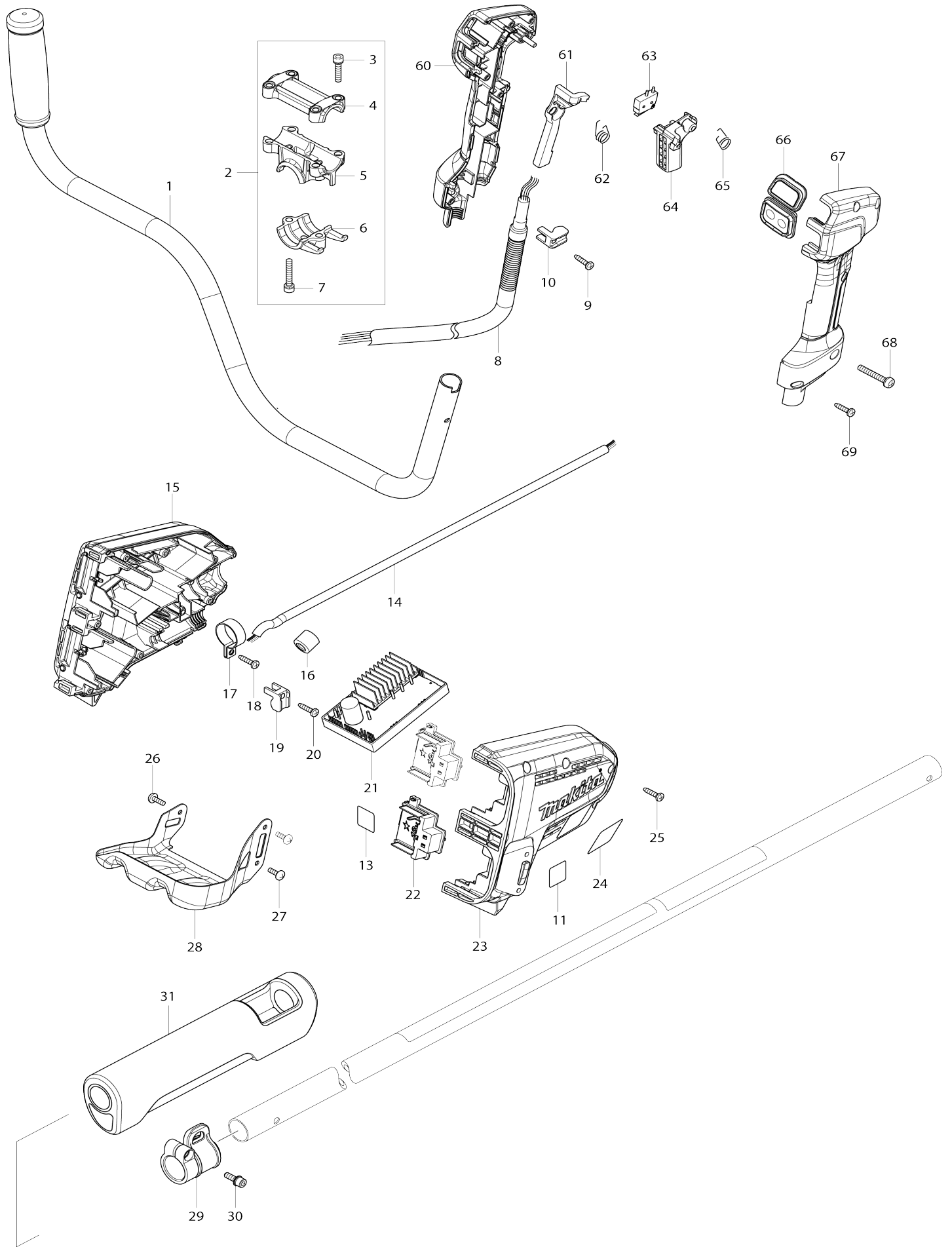
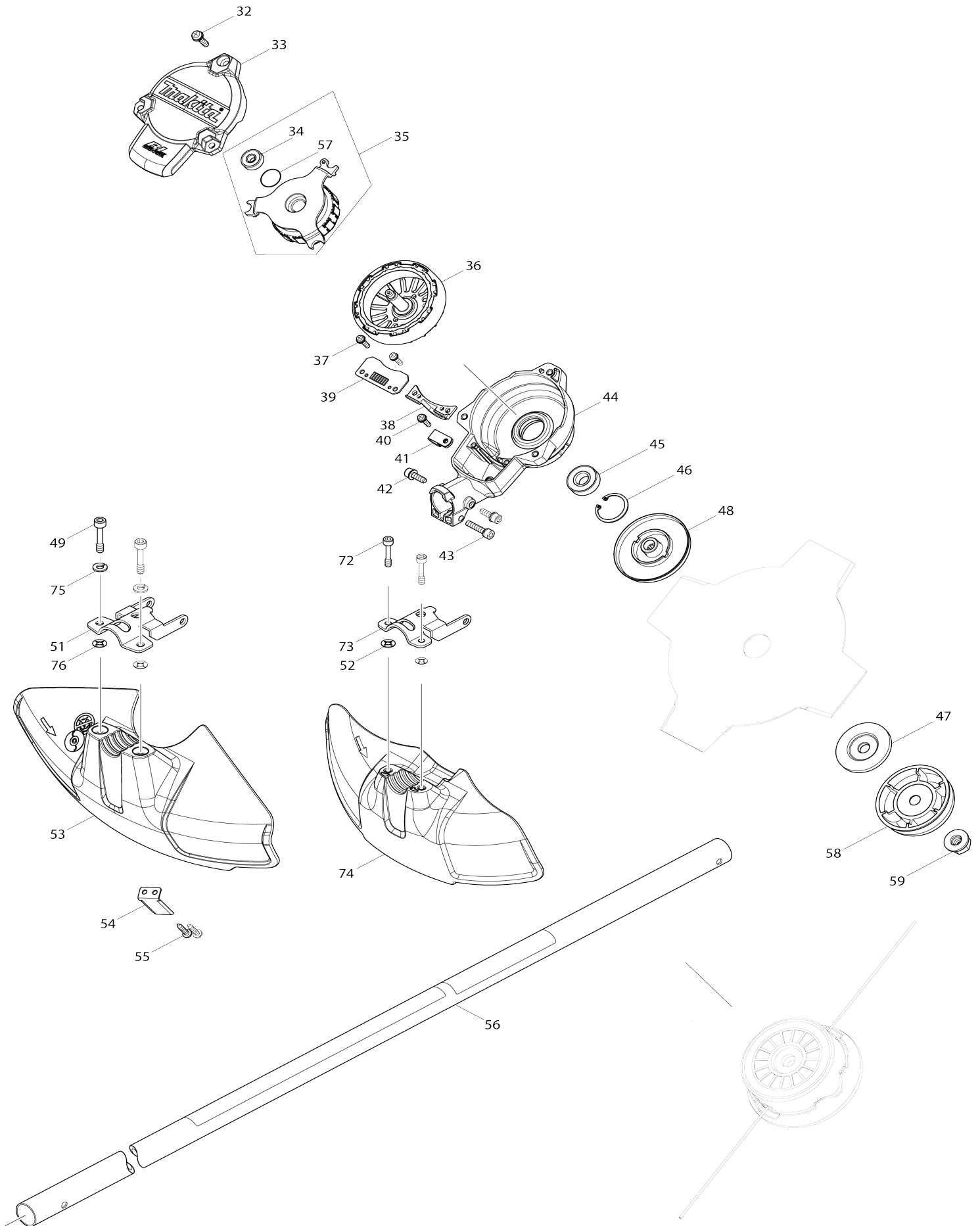


Model No.DUR368A CORDLESS GRASS TRIMMER



Model No.DUR368A CORDLESS GRASS TRIMMER



Model No.DUR368A CORDLESS GRASS TRIMMER

| Item No. | Parts No. | Description | Interchangeability | Q'ty | New/Old | Note1 | Note2 |
|----------|-----------|-----------------------------|--------------------|------|---------|-------|-------|
| F01 | 199140-0 | GUIDE RAIL 1000 SET | | 1 | | | |
| F02 | 199141-8 | GUIDE RAIL 1500 SET | | 1 | | | |
| F03 | 194368-5 | GUIDE RAIL 1400 SET | | 1 | | | |
| F04 | 194925-9 | GUIDE RAIL 1900 SET | | 1 | | | |
| F05 | 194367-7 | GUIDE RAIL 3000 SET | | 1 | | | |
| F06 | 194416-0 | SHEET 10000 SET | | 1 | | | |
| F07 | 194417-8 | RUBBER SHEET 10000 SET | | 1 | | | |
| F08 | 194418-6 | POSITION SHEET 1400 SET | | 1 | | | |
| F09 | 194910-2 | POSITION SHEET 1900 SET | | 1 | | | |
| 001 | 140L83-1 | HANDLE 19 COMPLETE | | 1 | | | |
| 002 | 135395-3 | HANDLE HOLDER ASS'Y | | 1 | * | | |
| D10 | | INC. 3-7 | | | | | |
| 002-1 | 1830A9-5 | HANDLE HOLDER SET | O | 1 | | | |
| D10 | | INC. 3-7 | | | | | |
| 003 | 922241-7 | HEX. SOCKET HEAD BOLT M5X25 | | 4 | | | |
| 004 | 318272-6 | HANDLE HOLDER 1 | | 1 | | | |
| 005 | 318273-4 | HANDLE HOLDER 2 | | 1 | | | |
| 006 | 318274-2 | HANDLE HOLDER 3 | | 1 | | | |
| 007 | 922251-4 | HEX. SOCKET HEAD BOLT M5X30 | | 2 | * | | |
| 007-1 | 922241-7 | HEX. SOCKET HEAD BOLT M5X25 | O | 2 | | | |
| 008 | 699118-8 | POWER SUPPLY CORD UNIT | | 1 | | | |
| 009 | 266326-2 | TAPPING SCREW 4X18 | | 1 | | | |
| 010 | 687260-7 | STRAIN RELIEF | | 1 | | | |
| 011 | 807E85-5 | SOUND 92DB LABEL | | 1 | * | | |
| 011-1 | 800A66-4 | SOUND 91DB LABEL | < | 1 | | | |
| 013 | 855V64-9 | DUR368A SERIAL NO. LABEL | | 1 | | | |
| 014 | 699067-9 | POWER SUPPLY CORD UNIT | | 1 | | | |
| 015 | 183L33-3 | HOUSING SET | | 1 | * | | |
| C10 | 263005-3 | RUBBER PIN 6 | | 4 | * | | |
| C20 | 252126-6 | HEX. LOCK NUT M4-7 | | 3 | * | | |
| D10 | | INC. 23 | | | | | |
| 015-1 | 183L33-3 | HOUSING SET | O | 1 | | | |
| C10 | 263005-3 | RUBBER PIN 6 | | 4 | | | |
| C20 | 252126-6 | HEX. LOCK NUT M4-7 | | 3 | | | |
| D10 | | INC. 23 | | | | | |
| 016 | 688163-8 | LINE FILTER | | 1 | | | |
| 017 | 346248-3 | CLAMP 24 | | 1 | | | |
| 018 | 266326-2 | TAPPING SCREW 4X18 | | 1 | | | |
| 019 | 687260-7 | STRAIN RELIEF | | 1 | | | |
| 020 | 266326-2 | TAPPING SCREW 4X18 | | 1 | | | |
| 021 | 620A36-5 | CONTROLLER | | 1 | * | | |
| 021-1 | 620G00-2 | CONTROLLER | < | 1 | * | | |
| 021-2 | 620J84-8 | CONTROLLER | S | 1 | | | |
| 022 | 644808-8 | TERMINAL | | 2 | | | |
| 023 | 183L33-3 | HOUSING SET | | 1 | * | | |
| C10 | 263005-3 | RUBBER PIN 6 | | 4 | * | | |
| C20 | 252126-6 | HEX. LOCK NUT M4-7 | | 3 | * | | |

| | | | | | | |
|-------|----------|-----------------------------|---|---|---|--|
| D10 | | INC. 15 | | | | |
| 023-1 | 183L33-3 | HOUSING SET | O | 1 | | |
| C10 | 263005-3 | RUBBER PIN 6 | | 4 | | |
| C20 | 252126-6 | HEX. LOCK NUT M4-7 | | 3 | | |
| D10 | | INC. 15 | | | | |
| 024 | 855V55-0 | DUR368A NAME PLATE | | 1 | | |
| 025 | 266326-2 | TAPPING SCREW 4X18 | | 7 | | |
| 026 | 251314-2 | + SCREW M4X12 | | 1 | | |
| 027 | 251314-2 | + SCREW M4X12 | | 2 | | |
| 028 | 346858-6 | BATTERY GUARD | | 1 | | |
| 029 | 168478-4 | HANGER | | 1 | | |
| 030 | 922228-9 | H.S.H.BOLT M5X18 WITH WR | | 1 | | |
| 031 | 424463-0 | CUSHION | | 1 | | |
| 032 | 911233-1 | PAN HEAD SCREW M5X20 | | 3 | | |
| 033 | 455626-7 | TOP COVER | | 1 | | |
| 034 | 210062-2 | BALL BEARING 607ZZ | | 1 | * | |
| 034-1 | 210269-0 | BALL BEARING 607ZZ | O | 1 | | |
| 035 | 529146-8 | STATOR ASS'Y | | 1 | * | |
| D10 | | INC. 34,57 | | | | |
| 035-1 | 520136-4 | STATOR ASS'Y | < | 1 | * | |
| D10 | | INC. 34,57 | | | | |
| 035-2 | 520135-6 | STATOR ASS'Y | O | 1 | * | |
| D10 | | INC. 34,57 | | | | |
| 035-3 | 592E25-3 | STATOR ASS'Y | S | 1 | | |
| D10 | | INC. 34,57 | | | | |
| 036 | 619462-7 | ROTOR | | 1 | | |
| 037 | 911128-8 | P.H.SCREW M4X16 WITH WR | | 2 | | |
| 038 | 455628-3 | INNER COVER | | 1 | | |
| 039 | 620562-8 | CONTROLLER B | | 1 | * | |
| 039-1 | 620E48-2 | CONTROLLER B | O | 1 | * | |
| 039-2 | 620J62-8 | CONTROLLER B | S | 1 | | |
| 040 | 911128-8 | P.H.SCREW M4X16 WITH WR | | 1 | | |
| 041 | 687042-7 | STRAIN RELIEF | | 1 | | |
| 042 | 922223-9 | H.S.H.BOLT M5X16 WITH WR | | 2 | | |
| 043 | 922241-7 | HEX. SOCKET HEAD BOLT M5X25 | | 1 | | |
| 044 | 143039-1 | MOTOR HOUSING COMPLETE | | 1 | | |
| 045 | 211131-2 | BALL BEARING 6001DDW | | 1 | | |
| 046 | 962106-1 | RETAINING RING R-28 | | 1 | | |
| 047 | 346084-7 | CLAMP WASHER | | 1 | | |
| 048 | 140L84-9 | RECEIVE WASHER COMPLETE G | | 1 | | |
| 049 | 266579-3 | HEX SOCKET HEAD BOLT M6X30 | | 2 | | |
| 051 | 346073-2 | PROTECTOR CLAMP | | 1 | | |
| 052 | 261156-6 | POLYPROPYLENE WASHER 4 | | 2 | | |
| 053 | 455926-5 | PROTECTOR | | 1 | | |
| 054 | 346855-2 | CUTTER | | 1 | | |
| 055 | 266326-2 | TAPPING SCREW 4X18 | | 2 | | |
| 056 | 140L89-9 | PIPE COMPLETE O | | 1 | | |
| C10 | 819312-8 | MAKITA LOGO LABEL | | 1 | | |
| C20 | 819N87-3 | CAUTION LABEL | | 1 | | |
| 057 | 213325-5 | O RING 19 | | 1 | | |
| 058 | 168526-9 | CUP | | 1 | | |
| 059 | 264025-0 | HEX. NUT M10-17 | | 1 | | |

| | | | | | | |
|-------|-----------|------------------------------------|---|---|---|--|
| 060 | 183A77-7 | GRIP SET | | 1 | | |
| D10 | | INC. 67 | | | | |
| 061 | 455629-1 | LOCK OFF LEVER | | 1 | * | |
| 061-1 | 413Y35-6 | LOCK OFF LEVER | O | 1 | | |
| 062 | 233621-5 | TORSION SPRING 9 | | 1 | | |
| 063 | 632E40-6 | SWITCH UNIT | | 1 | | |
| 064 | 455816-2 | SWITCH LEVER | | 1 | | |
| 065 | 233612-6 | TORSION SPRING 10 | | 1 | | |
| 066 | 140L81-5 | SUB CONTROLLER COMPLETE G | | 1 | | |
| C10 | 819N38-6 | SWITCH LABEL | | 1 | | |
| C20 | 819N39-4 | INDICATION LABEL | | 1 | | |
| 067 | 183A77-7 | GRIP SET | | 1 | | |
| D10 | | INC. 60 | | | | |
| 068 | 911258-5 | PAN HEAD SCREW M5X35 | | 1 | | |
| 069 | 266326-2 | TAPPING SCREW 4X18 | | 5 | | |
| 072 | 266896-1 | HEX. SOCKET HEAD BOLT M5X20 | | 2 | | |
| 073 | 346785-7 | PROTECTOR CLAMP | | 1 | | |
| 074 | 455815-4 | PROTECTOR | | 1 | * | |
| 074-1 | 413886-7 | PROTECTOR | O | 1 | | |
| 075 | 253428-3 | SPRING WASHER 6 | | 2 | | |
| 076 | 413143-3 | WASHER | | 2 | | |
| A01 | 125516-5 | BAND ASSEMBLY | | 1 | | |
| A02 | 198893-8 | CUTTER ASSEMBLY 95-M10L SET ME | | 1 | | |
| A04 | 195150-5 | CUTTER BLADE SET | | 1 | | |
| A05 | 456924-2 | TOOL COVER | | 1 | | |
| A06 | 783202-0 | HEX. WRENCH 4 | | 1 | | |
| A07 | 831304-7 | ACCESSORY BAG | | 1 | | |
| A08 | 783217-7 | HEX. WRENCH 5 | | 1 | | |
| A09 | 783013-3 | BOX DRIVER 16-17 | | 1 | | |
| A10 | 126642-3 | PLASTIC BLADE ASSEMBLY255-M 10L | | 1 | | |
| B01 | 197294-7 | PROTECTOR SET | | 1 | | |
| D10 | | INC. 47,48,52,58,59,72-74 | | | | |
| F07 | 197472-9 | NYLON CORD 2.0-15M SET | | 1 | | |
| F08 | 197473-7 | NYLON CORD 2.0-30M SET | | 1 | | |
| F09 | 197474-5 | NYLON CORD 2.0-160M SET | | 1 | | |
| F10 | 197475-3 | NYLON CORD 2.0-280M SET | | 1 | | |
| F15 | 198502-9 | NYLON CORD 2.4-30M SET | | 1 | | |
| F16 | 198503-7 | NYLON CORD 2.4-120M SET | | 1 | | |
| F17 | 198504-5 | NYLON CORD 2.4-180M SET | | 1 | | |
| A11 | ***DC18RD | DC18RD TWO PORT FAST CHARG ER | | 1 | | |
| D10 | | COMPO-PARTS | | | | |
| A12 | 197280-8 | BATTERY BL1850B SET | | 2 | | |
| A15 | 450128-8 | BATTERY COVER | | 2 | | |

Please state Parts No. when your order.

Print Date 03/01/2024