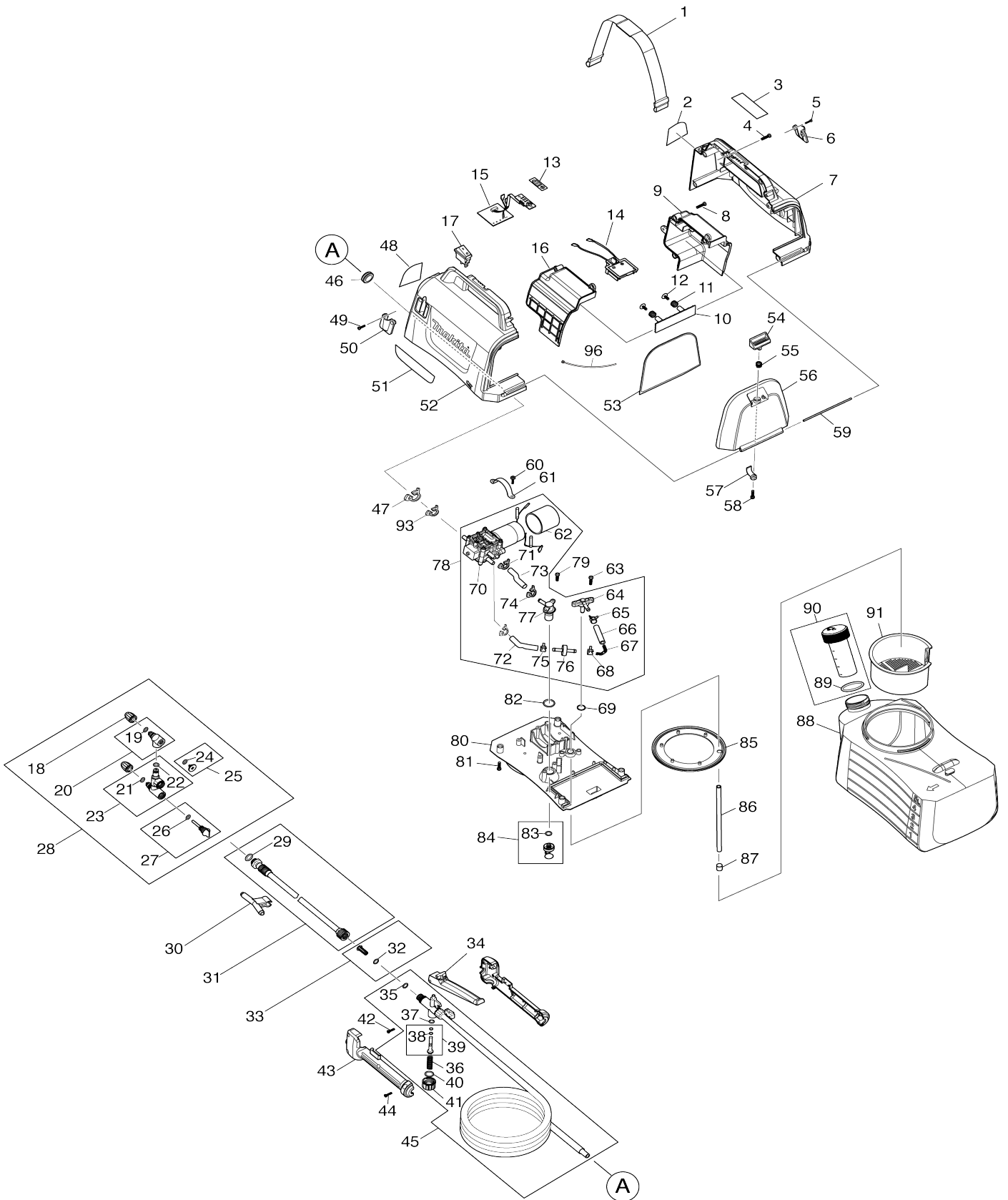


Model No.DUS054 CORDLESS GARDEN SPRAYER



Model No.DUS054 CORDLESS GARDEN SPRAYER

Item No.	Parts No.	Description	Interchangability	Q'ty	New/Old	Note1	Note2
001	PR00000128	SHOULDER STRAP		1			
002	PR00000206	WARNING TEXT LABEL-EN		1			
003	PR00000225	RATING LABEL-0014		1			
004	PR00000183	TAPPING SCREW ST4.0X16		6			
005	PR00000182	TAPPING SCREW ST2.9X12		2			
006	PR00000191	SPRAY WAND HOLDER		1	*		
006-1	PR00000191	SPRAY WAND HOLDER	O	1			
007	PR00000192	HOUSING SET		1			
D10		INC. 52					
008	PR00000183	TAPPING SCREW ST4.0X16		4			
009	PR00000193	BATTERY HOUSING		1			
D10		INC. 16					
010	PR00000130	DAM-BOARD		1			
011	PR00000194	SPRING		2			
012	PR00000132	TAPPING SCREW ST4.0X12		2			
013	PR00000133	INDICATION LABEL		1			
014	PR00000195	BATTERY TERMINAL		1	*		
014-1	PR00000195	BATTERY TERMINAL	O	1			
015	PR00000196	PCB		1			
016	PR00000193	BATTERY HOUSING		1			
D10		INC. 9					
017	PR00000136	SWITCH		1			
018	PR00000137	SPRAY HEAD		2			
019	PR00000186	O RING 6X2		1			
020	PR00000138	NOZZLE HOLDER		1			
D10		INC. 19					
021	PR00000186	O RING 6X2		1			
022	PR00000186	O RING 6X2		1			
023	PR00000139	ROD JOINT		1			
D10		INC. 21,22					
024	PR00000186	O RING 6X2		1			
025	PR00000140	END CAP		1			
D10		INC. 24					
026	PR00000186	O RING 6X2		1			
027	PR00000141	ADJUSTING KNOB		1			
D10		INC. 26					
028	PR00000142	TWO HEAD NOZZLE		1			
D10		INC. 18,20,23,25,27					
029	PR00000143	SEAL PAD 9X17X2		1			
030	PR00000144	HOOK		1			
031	PR00000145	SPRAY WAND		1			
D10		INC. 29					
032	PR00000146	O SEAL RING 4.5X1.5		1			
033	PR00000147	FILTER ASSEMBLY		1			
D10		INC. 32					
034	PR00000148	HANDLE TRIGGER ASSEMBLY		1			
035	PR00000149	O RING 8X1.8		1			

036	PR00000150	SPRING		1		
037	PR00000204	O RING 6X2		1	*	
037-1	PR00000186	O RING 6X2	O	1		
038	PR00000205	O RING 3X1.5		2		
039	PR00000151	VALVE ROD		1		
D10		INC. 38				
040	PR00000190	O RING 12X2		1	*	
040-1	PR00000190	O RING 12X2	O	1		
041	PR00000152	LOCK COVER		1		
042	PR00000182	TAPPING SCREW ST2.9X12		1		
043	PR00000153	HANDLE SET		1	*	
043-1	PR00000502	HANDLE SET	<	1		
044	PR00000182	TAPPING SCREW ST2.9X12		5		
045	PR00000154	SPRAY HOSE ASSEMBLY		1	*	
D10		INC. 35,36,37,39,40,41				
045-1	PR00000499	SPRAY HOSE ASSEMBLY	S	1		
D10		INC. 35,36,37,39,40,41				
046	PR00000155	GROMMET		1	*	
046-1	PR00000155	GROMMET	O	1		
047	PR00000184	SNAPPER HOSE CLAMP (L)		1	*	
047-1	PR00000184	SNAPPER HOSE CLAMP (L)	O	1		
048	PR00000211	WARNING LOGO LABEL		1		
049	PR00000182	TAPPING SCREW ST2.9X12		2		
050	PR00000191	SPRAY WAND HOLDER		1	*	
050-1	PR00000191	SPRAY WAND HOLDER	O	1		
051	PR00000197	DECORATION LABEL		1		
052	PR00000192	HOUSING SET		1		
D10		INC. 7				
053	PR00000198	BATTERY COVER SEAL PAD		1		
054	PR00000159	BATTERY COVER BUTTON		1		
055	PR00000160	SPRING		1		
056	PR00000199	BATTERY COVER		1		
057	PR00000162	PRESS-BUTTON		1		
058	PR00000007	TAPPING SCREW ST2.9X15		1	*	
058-1	PR00000007	TAPPING SCREW ST2.9X15	O	1		
059	PR00000163	SHAFT		1		
060	PR00000183	TAPPING SCREW ST4.0X16		2		
061	PR00000164	MOTOR FIXED BLOCK		1		
062	PR00000165	SHOCK ABSORBER RING		1		
063	PR00000183	TAPPING SCREW ST4.0X16		2		
064	PR00000166	INLET CONNECTION		1		
065	PR00000188	HOSE CLIP		1		
066	PR00000187	DELIVERY TUBE (55MM)		1		
067	PR00000167	SPRING		1		
068	PR00000188	HOSE CLIP		1		
069	PR00000190	O RING 12X2		1	*	
069-1	PR00000190	O RING 12X2	O	1		
070	PR00000200	PUMP UNIT WITH MOTOR		1		
071	PR00000184	SNAPPER HOSE CLAMP (L)		2	*	
071-1	PR00000247	SNAPPER HOSE CLAMP (S)	X	2	*	
071-2	PR00000247	SNAPPER HOSE CLAMP (S)	O	2		
072	PR00000187	DELIVERY TUBE (55MM)		1	*	

072-1	PR00000248	DELIVERY TUBE (48MM)	X	1			
073	PR00000187	DELIVERY TUBE (55MM)		1	*		
073-1	PR00000249	DELIVERY TUBE (40MM)	X	1			
074	PR00000184	SNAPPER HOSE CLAMP (L)		1	*		
074-1	PR00000247	SNAPPER HOSE CLAMP (S)	X	1	*		
074-2	PR00000247	SNAPPER HOSE CLAMP (S)	O	1			
075	PR00000188	HOSE CLIP		1			
076	PR00000169	CHECK VALVE ASSEMBLY		1			
077	PR00000170	WATER INLET		1	*		
077-1	PR00000170	WATER INLET	O	1			
078	PR00000201	PUMP ASSY		1	*		
D10		INC. 62,64-68,70-77					
078-1	PR00000201	PUMP ASSY	O	1			
D10		INC. 62,64-68,70-77					
079	PR00000183	TAPPING SCREW ST4.0X16		2			
080	PR00000172	BASE BOARD		1			
081	PR00000183	TAPPING SCREW ST4.0X16		4			
082	PR00000173	O RING 17X2		1			
083	PR00000186	O RING 6X2		1			
084	PR00000174	KNOB LOCK CAP ASSEMBLY		1			
D10		INC. 83					
085	PR00000175	SEAL PAD FOR TANK		1	*		
085-1	PR00000175	SEAL PAD FOR TANK	X	1			
086	PR00000176	SUCTION TUBE 190MM		1	*		
086-1	PR00000176	SUCTION TUBE 190MM	O	1			
087	PR00000177	FILTER		1			
088	PR00000178	TANK (LITRE)		1	*		
088-1	PR00000178	TANK (LITRE)	X	1			
089	PR00000179	O RING 34X3.5		1			
090	PR00000180	TANK CAP WITH MEASURING CUP (M)		1	*		
D10		INC. 89					
090-1	PR00000180	TANK CAP WITH MEASURING CUP (M)	X	1			
D10		INC. 89					
091	PR00000181	FILTER CARTRIDGE		1			
093	PR00000247	SNAPPER HOSE CLAMP (S)		1	*		
093-1	PR00000247	SNAPPER HOSE CLAMP (S)	O	1			
096	687010-0	BAND		1			

Please state Parts No. when your order.

Print Date 01/29/2024