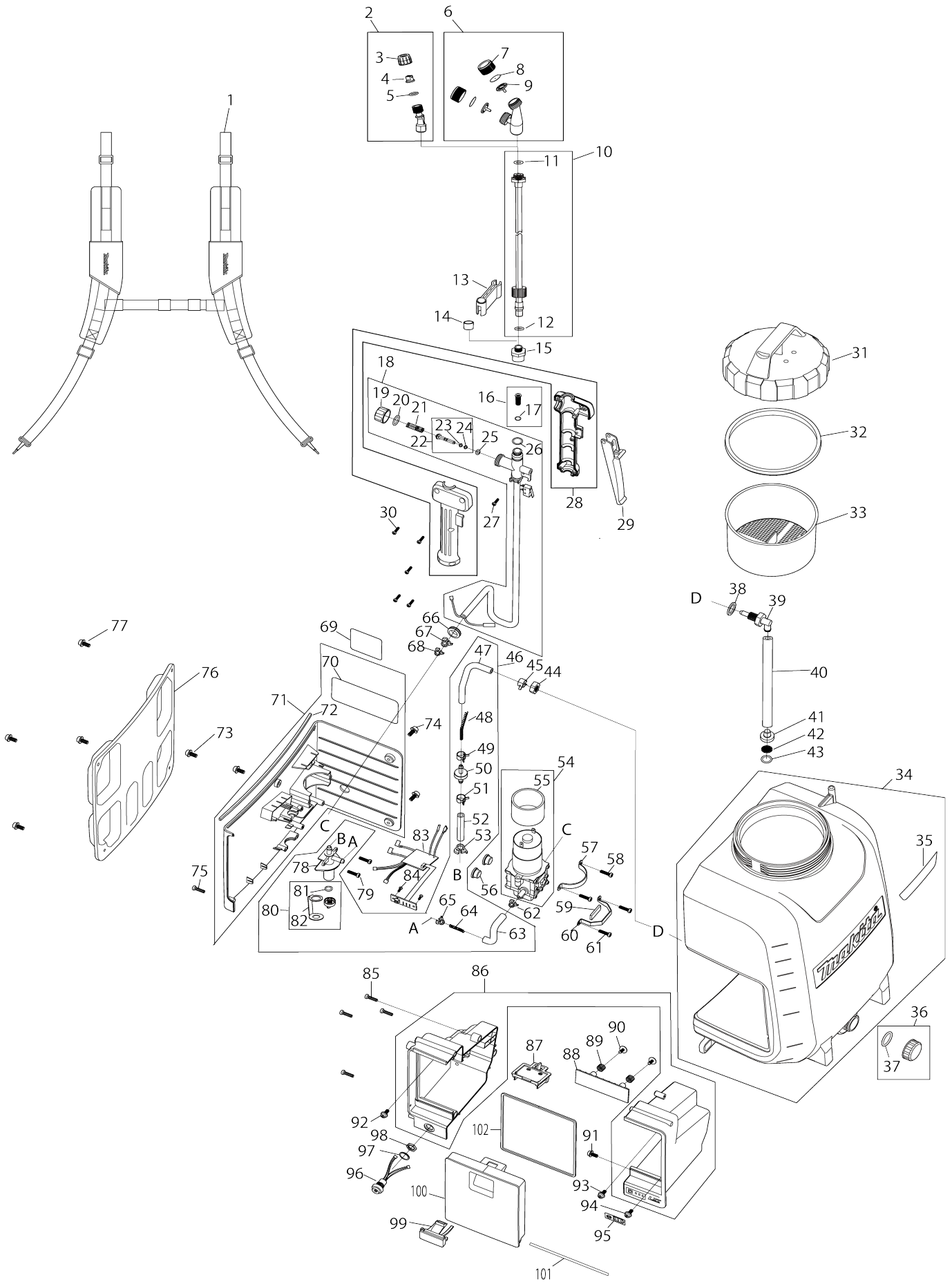


# Model No.DUS158 CORDLESS GARDEN SPRAYER



Model No.DUS158 CORDLESS GARDEN SPRAYER

Item No.	Parts No.	Description	Interchangability	Q'ty	New/Old	Note1	Note2
001	PR00000319	HARNES LR SET		1			
002	PR00000251	SINGLE NOZZLE ASSY		1			
D10		INC. 3-5					
003	PR00000252	CAP NUT		1			
004	PR00000253	SPRAYER NOZZLE		1			
005	PR00000254	O-RING 12X2		1			
006	PR00000255	TWIN HEAD MIST NOZZLE ASSY		1			
D10		INC. 7-9					
007	PR00000256	CAP NUT		2			
008	PR00000257	SPRAY CORE		2	*		
008-1	PR00000257	SPRAY CORE	O	2	*		
008-2	PR00000258	DISK	X	1	*		
008-3	PR00000258	DISK	O	2			
009	PR00000258	DISK		2	*		
009-1	PR00000258	DISK	O	2	*		
009-2	PR00000257	SPRAY CORE	X	1	*		
009-3	PR00000257	SPRAY CORE	O	2			
010	PR00000260	SPRAY WAND ASSY		1			
D10		INC. 11,12					
011	PR00000259	GASKET 11.5		1			
012	PR00000186	O RING 6X2		1			
013	PR00000314	HOOK FOR SPRAY WAND		1			
014	PR00000263	RUBBER CAP		1			
015	PR00000264	SPRAY WAND THREAD ADAPTOR		1			
016	PR00000147	FILTER ASSEMBLY		1			
D10		INC. 17					
017	PR00000146	O SEAL RING 4.5X1.5		1			
018	PR00000266	HOSE WITH SWITCH ASSY		1	*		
D10		INC. 19-22,25,26					
018-1	PR00000501	HOSE WITH SWITCH ASSY	S	1			
D10		INC. 19-22,25,26					
019	PR00000152	LOCK COVER		1			
020	PR00000254	O-RING 12X2		1			
021	PR00000150	SPRING		1			
022	PR00000151	VALVE ROD		1			
D10		INC. 23,24					
023	PR00000205	O RING 3X1.5		1			
024	PR00000205	O RING 3X1.5		1			
025	PR00000186	O RING 6X2		1			
026	PR00000149	O RING 8X1.8		1			
027	PR00000182	TAPPINNG SCREW ST2.9X12		1			
028	PR00000153	HANDLE SET		1	*		
028-1	PR00000502	HANDLE SET	<	1			
029	PR00000148	HANDLE TRIGGER ASSEMBLY		1			
030	PR00000182	TAPPINNG SCREW ST2.9X12		5			
031	PR00000316	TANK LID		1	*		
031-1	PR00000485	TANK LID(W/SEAL RING)	S	1			

032	PR00000315	TANK LID SEALING LID	S	1	*		
033	PR00000313	TANK FILTER		1			
034	PR00000477	15L TANK		1			
D10		INC. 35					
035	PR00000373	15L MODEL LABEL		1			
036	PR00000312	DRAIN PLUG ASSY		1			
D10		INC. 37					
037	PR00000479	O-RING 21.2X2.65		1			
038	PR00000259	GASKET 11.5		1			
039	PR00000265	TANK ELBOW JOINT		1			
040	PR00000280	TUBE 8X230		1			
041	PR00000279	SUCTION HEAD		1			
042	PR00000278	NET FILTER FOR SUCTION HEAD		1			
043	PR00000277	O-RING 17.5X3		1			
044	PR00000262	PLASTIC NUT 1/2"		1			
045	PR00000261	HOSE CLIP		1			
046	PR00000287	SUCTION TUBE SET		1			
D10		INC. 47-53,63-65,78,80					
047	PR00000281	TUBE 6X140		1			
048	PR00000282	SPRING 5X127		1			
049	PR00000261	HOSE CLIP		1			
050	PR00000283	CHECK VALVE ASSEMBLY		1			
051	PR00000261	HOSE CLIP		1			
052	PR00000284	TUBE 6X55		1			
053	PR00000184	SNAPPER HOSE CLAMP (L)		1			
054	PR00000270	PUMP UNIT WITH MOTOR		1			
D10		INC. 55					
055	PR00000268	ANTI VIBRATION RING		1			
056	PR00000292	ANTI VIBRATION PAD		2			
057	PR00000272	MOTOR FIXED PLATE		1			
058	PR00000271	TAPPING SCREW ST4.0X16		2			
059	PR00000274	RUBBER SHEET		1			
060	PR00000273	PUMP FIXED PLATE		1			
061	PR00000271	TAPPING SCREW ST4.0X16		2			
062	PR00000267	SNAPPER HOSE CLAMP (M)		1			
063	PR00000275	TUBE 6X90		1			
064	PR00000276	SPRING		1			
065	PR00000267	SNAPPER HOSE CLAMP (M)		1			
066	PR00000155	GROMMET		1			
067	PR00000184	SNAPPER HOSE CLAMP (L)		1			
068	PR00000267	SNAPPER HOSE CLAMP (M)		1			
069	PR00000363	NAME PLATE DUS158 EU		1			
070	PR00000354	WARNING LABEL		1			
071	PR00000472	PUMP HOUSING ASSY EU		1			
D10		INC. 70,72					
072	PR00000290	SEALING STRIP		1			
073	PR00000288	PAN HEAD SCREW M5X12 WITH WR		2			
074	PR00000288	PAN HEAD SCREW M5X12 WITH WR		2			
075	PR00000271	TAPPING SCREW ST4.0X16		1			
076	PR00000289	BACK PAD		1			

077	PR00000288	PAN HEAD SCREW M5X12 WITH WR	4		
078	PR00000285	BASE	1		
079	PR00000271	TAPPING SCREW ST4.0X16	2		
080	PR00000286	KNOB LOCK CAP ASSEMBLY	1		
D10		INC. 81,82			
081	PR00000186	O RING 6X2	1		
082	PR00000475	KNOB LOCK CAP STRAP	1		
083	PR00000295	PCB	1		
084	PR00000293	TAPPING SCREW ST2.9X10	2		
085	PR00000271	TAPPING SCREW ST4.0X16	4		
086	PR00000297	BATTERY HOUSING SET	1		
087	PR00000302	BATTERY TERMINAL	1		
088	PR00000130	DAM-BOARD	1		
089	PR00000194	SPRING	2		
090	PR00000132	TAPPING SCREW ST4.0X12	2		
091	PR00000288	PAN HEAD SCREW M5X12 WITH WR	1		
092	PR00000288	PAN HEAD SCREW M5X12 WITH WR	1		
093	PR00000288	PAN HEAD SCREW M5X12 WITH WR	1		
094	PR00000288	PAN HEAD SCREW M5X12 WITH WR	1		
095	PR00000307	INDICATION LABEL	1		
096	PR00000299	SWITCH	1		
097	PR00000298	SWITCH GASKET	1		
098	PR00000300	HEX NUT(SWITCH)	1		
099	PR00000304	BATTERY COVER CLIP	1		
100	PR00000305	BATTERY COVER	1		
101	PR00000306	SHAFT 3X136	1		
102	PR00000303	BATTERY COVER SEAL PAD	1		
A01	PR00000317	MEASURING CUP(ML)	1		

Please state Parts No. when your order.

Print Date 01/29/2024