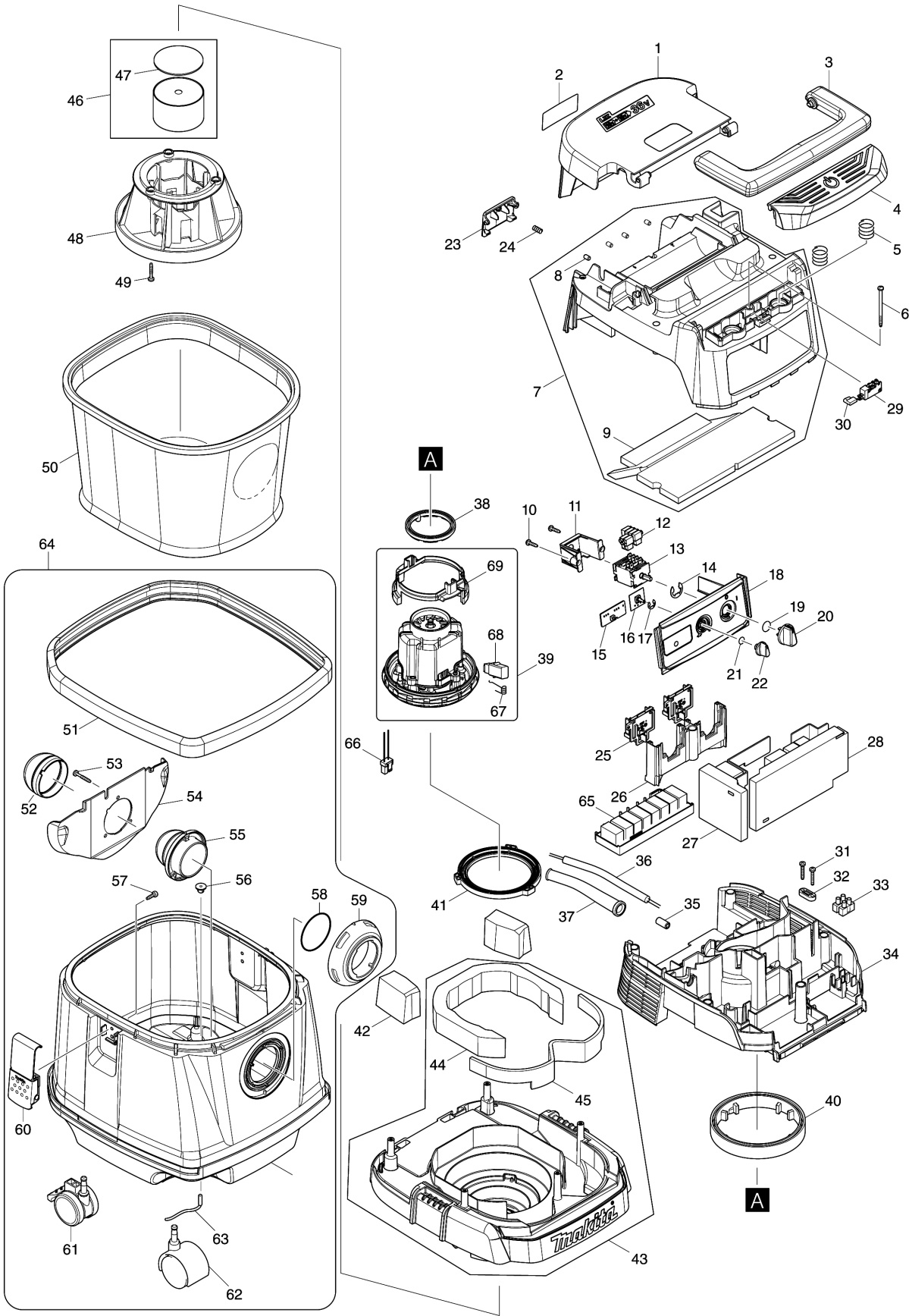


Model No.DVC150L CORDED&CORDLESS VACUUM CLEANER



Model No.DVC150L CORDED&CORDLESS VACUUM CLEANER

Item	Parts No.	Description	I/C	Qty	New/Old	Opt. 1	Opt. 2	Note
001	143174-5	BATTERY COVER COMPLETE		1				
C10	891977-8	CAUTION LABEL		1				
002	855W31-0	DVC150L NAME PLATE		1				
003	455734-4	GRIP		1				
004	459262-1	SWITCH BUTTON		1				
005	234273-5	COMPRESSION SPRING 20		2				
006	266340-8	TAPPING SCREW 4X65		6				
007	143173-7	COWLING COMPLETE		1				
D10		INC. 8,9						
008	263005-3	RUBBER PIN 6		4				
009	424688-6	TOP DAMPER		1				
010	266326-2	TAPPING SCREW 4X18		2				
011	451343-7	SWITCH HOLDER		1				
012	686023-8	RECEPTACLE SLEEVE		6				
013	650745-6	SWITCH		1				
014	961062-2	STOP RING E-12		1				
015	620394-3	LED CIRCUIT		1				
016	631922-9	SUB CONTROLLER		1				
017	961013-5	STOP RING E-7		1				
018	143176-1	SWITCH BASE COMPLETE		1				
C10	806G39-1	INDICATION LABEL		1				
019	213176-6	O RING 14		1				
020	455733-6	SWITCH LEVER		1				
021	213054-0	O RING 9		1				
022	451344-5	SWITCH DIAL		1				
023	455728-9	BATTERY COVER HOOK		1				
024	231240-1	COMPRESSION SPRING 7		1				
025	644808-8	TERMINAL		2				
026	455729-7	TERMINAL BASE		1				
027	620406-2	CONTROLLER B		1				
028	620392-7	CONTROLLER A		1				
029	651910-0	SWITCH D2VW-01-3HS		1				
030	686039-3	RECEPTACLE SLEEVE		2				
031	266374-1	TAPPING SCREW 4X25		2				
032	687123-7	STRAIN RELIEF		1				
033	654561-8	TERMINAL BLOCK		1				
034	455726-3	SEPARATER		1				
035	688163-8	LINE FILTER		1				
036	666899-9	POWER SUPPLY CORD 1.0-2-0.55		1				
037	682584-6	CORD GUARD		1				
038	424685-2	RUBBER RING 60		1				
039	629156-6	MOTOR ASSEMBLY		1				
D10		INC. 67-69						
040	424686-0	RUBBER RING 120		1				
041	424687-8	SUPPORT RING		1				

Please order the parts with part number.

Print Date 18/10/2023

Model No.DVC150L CORDED&CORDLESS VACUUM CLEANER

Item	Parts No.	Description	I/C	Qty	New/Old	Opt. 1	Opt. 2	Note
042	424690-9	REAR BLOCK FILTER		2				
043	143175-3	TANK COVER COMPLETE		1				
D10		INC. 44,45						
044	424691-7	BAND DAMPER		1				
045	424689-4	FRONT DAMPER		1				
046	158166-1	FLOAT COMPLETE		1				
D10		INC. 47						
047	423365-7	SPONGE SEAL 70		1				
048	419725-9	FLOAT CAGE		1				
049	266374-1	TAPPING SCREW 4X25		3				
050	140248-3	CLOTH FILTER COMPLETE		1				
051	422148-2	BUMPER		1				
052	424382-0	RUBBER HOLDER		1				
053	266257-5	TAPPING SCREW 4X28		3				
054	419351-4	HOLDER PLATE		1				
055	419350-6	HOLDER		1				
056	421468-1	CORD SEAL		1				
057	266192-7	TAPPING SCREW 4X14		4				
058	213655-4	O RING 56		1				
059	451348-7	INLET		1				
060	168537-4	HOOK		2				
061	168535-8	CASTER 50		2				
062	168434-4	CASTER 50		2				
063	649150-2	EARTH LINE 120		1				
064	191B56-7	TANK ASSEMBLY SET A		1				
D10		INC. 51-63						
065	620502-6	CONTROLLER C		1				
066	632F97-3	LEAD UNIT		1				
067	DM46312612	BRUSH SPRING		2				
068	197208-6	CARBON BRUSH CB-353		1				
069	DM46714602	BRUSH HOLDER		1				
A01	122512-4	NOZZLE ASS'Y 38		1				
C01	151449-8	ROLLER 40 COMPLETE		2				
C06	415962-3	ROLLER 14		2				
C11	256241-8	PIN 3		2				
C16	265871-4	TAPPING SCREW BT 4X16		6				
C21	154427-7	ELBOW JOINT COMPLETE		1				
C26	415965-7	UPPER NOZZLE		1				
C31	415964-9	JOINT HOLDER		1				
C36	743328-0	BRUSH		1				
C41	743327-2	WIPER		1				
A02	195434-1	HOSE COMPLETE 38-2.5 SET		1				
C10	417191-4	CUFF LOCK		1				
C20	417306-3	SLEEVE		2				
C30	417307-1	FRONT CUFF		1				

Please order the parts with part number.

Print Date 18/10/2023

Model No.DVC150L CORDED&CORDLESS VACUUM CLEANER

Item	Parts No.	Description	I/C	Qty	New/Old	Opt. 1	Opt. 2	Note
C40	417586-1	STOPPER		2				
A03	195432-5	POLY BAG SET(650X650)		1				
A04	192563-1	STRAIGHT PIPE SET 565-38		1				
A05	192562-3	BENDING PIPE		1				
A06	410306-2	CORNER NOZZLE		1				
A07	451350-0	STOPPER		1				
A08	455732-8	TOOL BOX		1				
A09	911138-5	P.H.SCREW M4X20 WITH WR		1				
A10	661914-4	CONNECTION CORD		1				
E01	891978-6	CAUTION LABEL		1				
E04	688161-2	LINE FILTER		1				
F09	192236-6	TAPERED NOZZLE SET		1				
F17	195435-9	HOSE COMPLETE 38-5 SET		1				
F18	195436-7	HOSE COMPLETE 28-5 SET		1				
F19	195437-5	HOSE COMPLETE 28-2.5 SET		1				
F21	195544-4	HOLDER 10-33 SET		1				
F22	195545-2	FRONT CUFF 38 SET		1				
F23	195546-0	FRONT CUFF 24 SET		1				
F24	195547-8	FRONT CUFF 22 SET		1				
F25	195548-6	JOINT 22-38 SET		1				
F26	195549-4	T-NOZZLE ASSY A SET(DRY)38		1				
F27	195550-9	T-NOZZLE ASSY B SET(WET)38		1				
F28	195551-7	T-NOZZLE SET 38		1				
F29	195552-5	DAMPER SET		1				
F30	195553-3	PRE-FILTER SET		1				
F31	195555-9	FILTER FOR WATER SET		1				
F32	195557-5	FILTER BAG SET 15L(5PCS)		1	*			
F32-1	195557-5	FILTER BAG SET 15L(5PCS)	O	1				
F33	195637-7	HOLDER,CUFF SET		1				
F36-1	197265-4	BATTERY BL1840B SET	O	1				
F37-1	197267-0	BATTERY BL1840B SET	O	1				
F40-1	197273-5	BATTERY BL1840B SET(2PIECES)	O	1				
F42	198184-7	F/C SWITCHING T-NOZZLE 38		1				
F43	198533-8	F/C SWITCHING T-NOZZLE 38 EU		1				
F58	191G76-1	MESH SLEEVE HOSE 28-5 SET		1				
F86	191M77-5	JOINT A 32 SET		1				
F87	191M78-3	JOINT B 35 SET		1				
F88	191M79-1	JOINT C 38 SET		1				
G09	1912G4-5	TELESCOPIC PIPE COMPLETE SET		1				
G10	1912G5-3	BENT PIPE COMPLETE SET		1				
G11	413R35-4	STOPPER		1				

Please order the parts with part number.

Print Date 18/10/2023