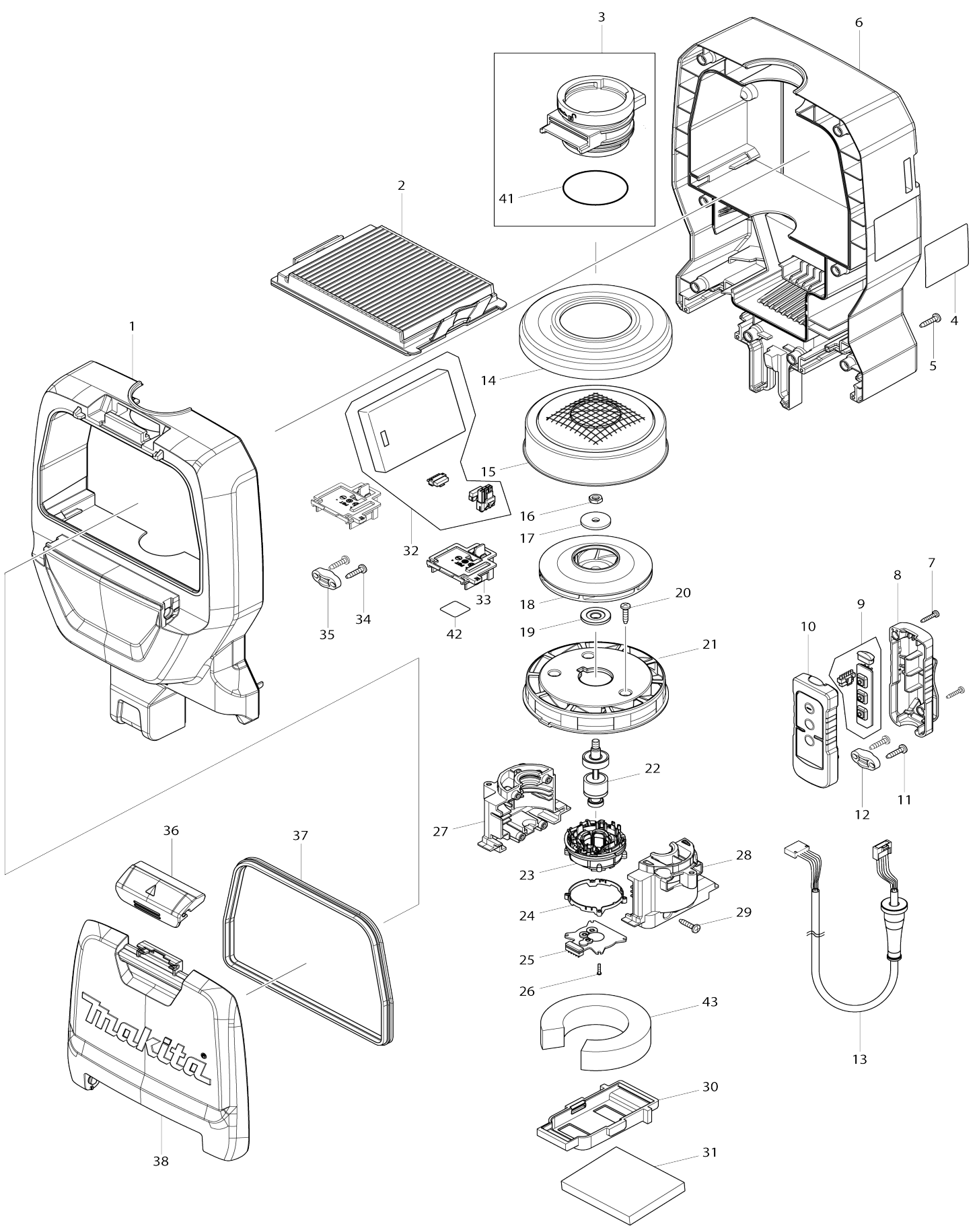
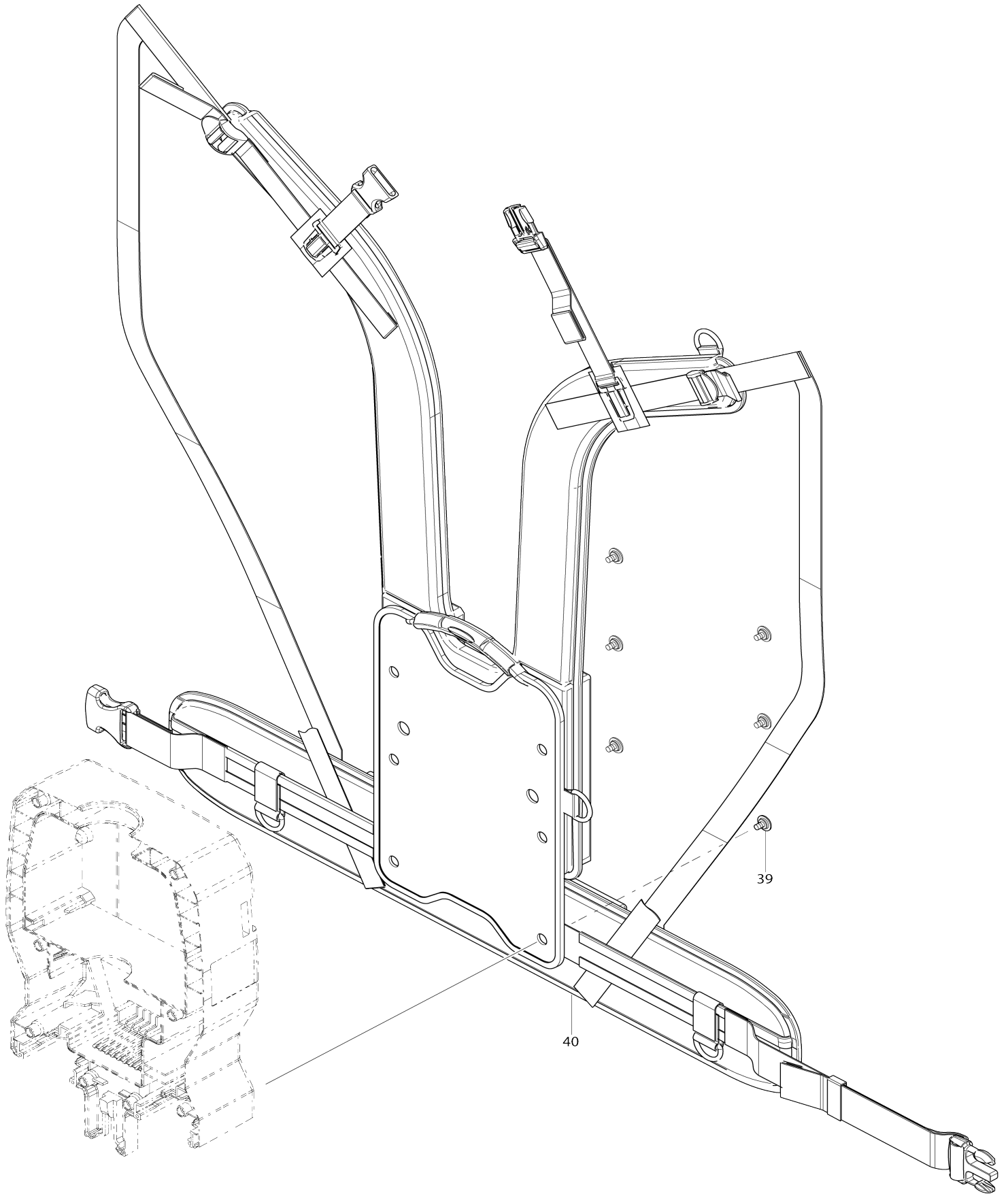


# Model No.DVC261 DC BACKPACK VACUUM CLEANER



Model No.DVC261 DC BACKPACK VACUUM CLEANER



Model No.DVC261 DC BACKPACK VACUUM CLEANER

Item No.	Parts No.	Description	Interchangability	Q'ty	New/Old	Note1	Note2
001	140G16-6	UPPER HOUSING COMPLETE		1			
C10	263005-3	RUBBER PIN 6		4			
C20	422373-5	BAND DAMPER A		1			
002	123636-9	HEPA FILTER ASSEMBLY		1	*		
C10	153820-2	VALVE COMPLETE		1	*		
002-1	127725-2	FILTER ASSEMBLY	O	1			
C10	153820-2	VALVE COMPLETE		1			
003	135771-1	INLET ASS'Y		1			
D10		INC. 41					
004	854Y90-3	DVC261 NAME PLATE		1			
005	266326-2	TAPPING SCREW 4X18		8			
006	140F61-5	LOWER HOUSING COMPLETE		1			
C10	422374-3	BAND DAMPER B		1			
007	266130-9	TAPPING SCREW BIND PT 3X16		2			
008	183K74-3	SWITCH CASE SET		1			
C10	818F86-4	SWITCH LABEL		1			
D10		INC. 10					
009	620525-4	SUB CONTROLLER		1			
010	183K74-3	SWITCH CASE SET		1			
C10	818F86-4	SWITCH LABEL		1			
D10		INC. 8					
011	266326-2	TAPPING SCREW 4X18		2			
012	687123-7	STRAIN RELIEF		1			
013	699077-6	POWER SUPPLY CORD UNIT		1	*		
013-1	699136-6	POWER SUPPLY CORD UNIT	O	1	*		
013-2	699136-6	POWER SUPPLY CORD UNIT	O	1			
014	422376-9	SUPPORT RING		1			
015	161804-6	FAN COVER		1			
016	931303-0	HEX. NUT M6		1	*		
016-1	252268-6	HEX. NUT M6	O	1			
017	322407-3	WASHER 6		1			
018	241851-4	FAN 94		1			
019	313062-2	FLANGE		1			
020	266326-2	TAPPING SCREW 4X18		3			
021	456736-3	FAN BASE		1			
022	619517-8	ROTOR		1	*		
022-1	619517-8	ROTOR	O	1	*		
022-2	619517-8	ROTOR	O	1			
023	629381-9	STATOR		1			
024	687464-1	SUPPORT		1			
025	620526-2	CONTROLLER B		1			
026	266786-8	+ PAN HEAD TAPPING SCREW 2X10		4			
027	183D13-1	MOTOR HOUSING SET		1			
D10		INC. 28					
028	183D13-1	MOTOR HOUSING SET		1			
D10		INC. 27					
029	266326-2	TAPPING SCREW 4X18		4			

030	424837-5	SUPPORT A		1		
031	424838-3	REAR BLOCK FILTER		2		
032	620992-3	CONTROLLER		1		
033	644808-8	TERMINAL		2		
034	266326-2	TAPPING SCREW 4X18		2		
035	687123-7	STRAIN RELIEF		1		
036	123586-8	LATCH ASSEMBLY		1		
037	424836-7	SEAL		1		
038	456739-7	DUST BOX COVER		1		
039	265008-3	+ FLAT HEAD SCREW M5		6		
040	162469-7	HARNESS		1	*	
040-1	162D04-5	HARNESS	O	1		
041	213655-4	O RING 56		1		
042	854Y97-9	DVC261 SERIAL NO. LABEL		1		
043	422370-1	BAND DAMPER C		1		
A01	143787-2	HOSE COMPLETE 28-1.0		1		
A02	166116-2	HOSE BAND		1		
A03	197903-8	FILTER BAG SET 2L(10PCS)EU		1	*	
A03-1	197903-8	FILTER BAG SET 2L(10PCS)EU	O	1		
A04	197901-2	FLEXIBLE RUBBER NOZZLE SET E U		1		
A05	127082-8	NOZZLE ASSEMBLY		1		
A06	140G19-0	TELESCOPIC PIPE COMPLETE		1		
A07	127093-3	BENT PIPE ASSEMBLY		1		
C10	456744-4	SLEEVE A		1		
C20	456745-2	STOPPER A		1		
F10	192236-6	TAPERED NOZZLE SET		1		
F13	195545-2	FRONT CUFF 38 SET		1		
F14	195546-0	FRONT CUFF 24 SET		1		
F15	195547-8	FRONT CUFF 22 SET		1		
F16	195548-6	JOINT 22-38 SET		1		
F17	195549-4	T-NOZZLE ASSY A SET(DRY)38		1		
F18	195551-7	T-NOZZLE SET 38		1		
F28	198184-7	F/C SWITCHING T-NOZZLE 38		1		
F32	198533-8	F/C SWITCHING T-NOZZLE 38 EU		1		
F33	198537-0	SHELF BRUSH SET28 IVO EU		1		
F34	191496-7	FLEXIBLE HOSE SET28(IVO)		1		
F36	198552-4	ROUND BRUSH SET 28 IVO		1		
F39	198560-5	TELESCOPIC PIPE SET 28 EU		1		
F51	198990-0	LONG SASH NOZZLE SET 28 BLU		1		
F56	199039-9	SEAT NOZZLE SET 28 BLK		1		
F58	199041-2	SEAT NOZZLE SET 28 BLU		1		
F68	199843-6	PIPE 465 COMPLETE SET		1		
F69	199844-4	JOINT PIPE 465 SET		1		
F70	191B15-1	CLEANING WAND SET		1		
F72	191E30-3	FLEXIBLE HOSE SET(LOCK)		1		
F86	191M77-5	JOINT A 32 SET		1		
F87	191M78-3	JOINT B 35 SET		1		
F88	191M79-1	JOINT C 38 SET		1		
F90	191X06-4	NOZZLE ASSEMBLY SET		1		
F91	1910S4-7	PROTECTION COVER SET		1		
F98	191Y14-1	HARNESS COVER SET		1		

F99	1914A7-9	ANGLE ATTACHMENT SET		1			
G09	1912G4-5	TELESCOPIC PIPE COMPLETE SET		1			
G10	1912G5-3	BENT PIPE COMPLETE SET		1			
A08	450128-8	BATTERY COVER		2			
A09	***DC18RD	DC18RD TWO PORT FAST CHARGER		1			
A10	197280-8	BATTERY BL1850B SET		2			

Please state Parts No. when your order.

Print Date 02/19/2024