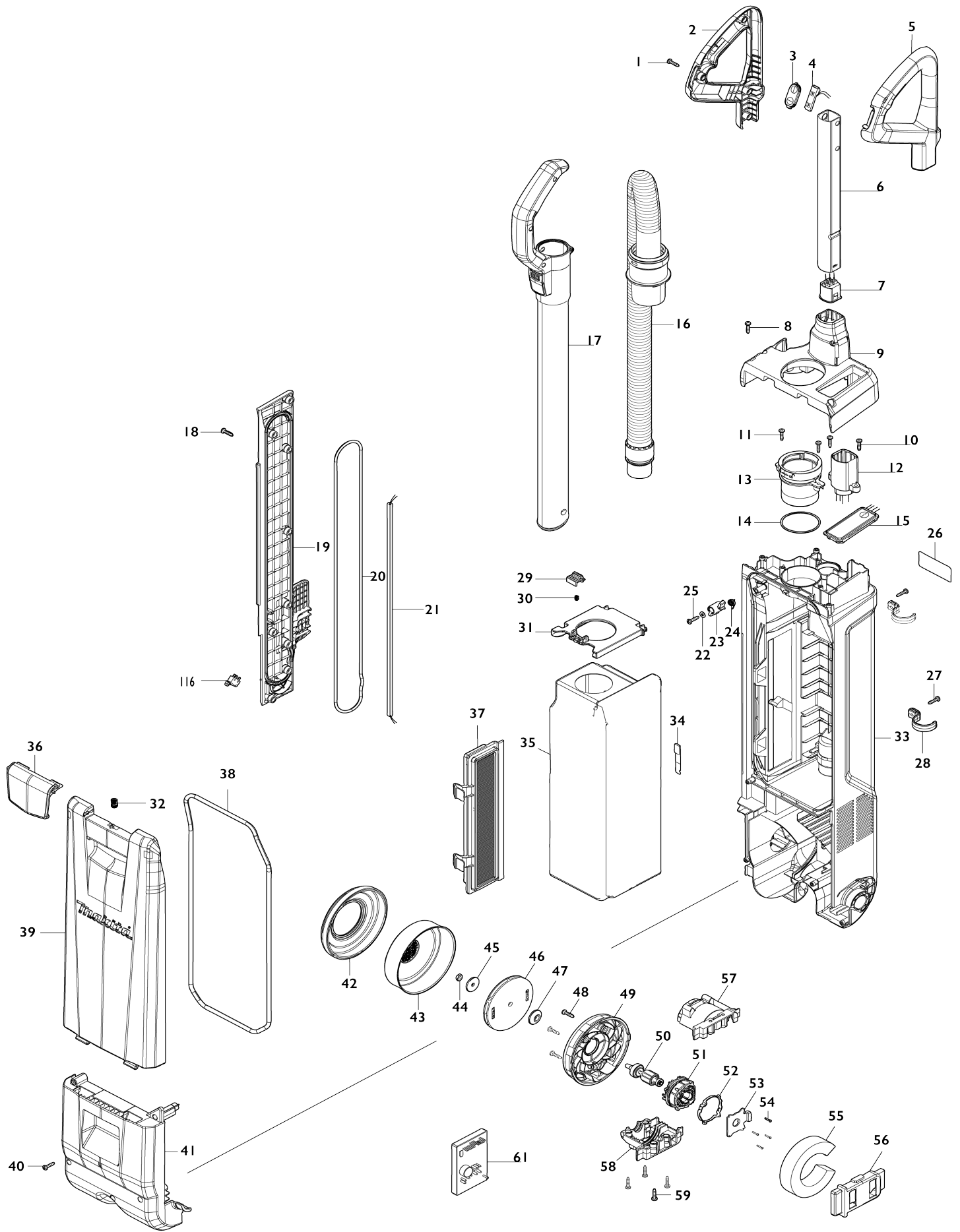
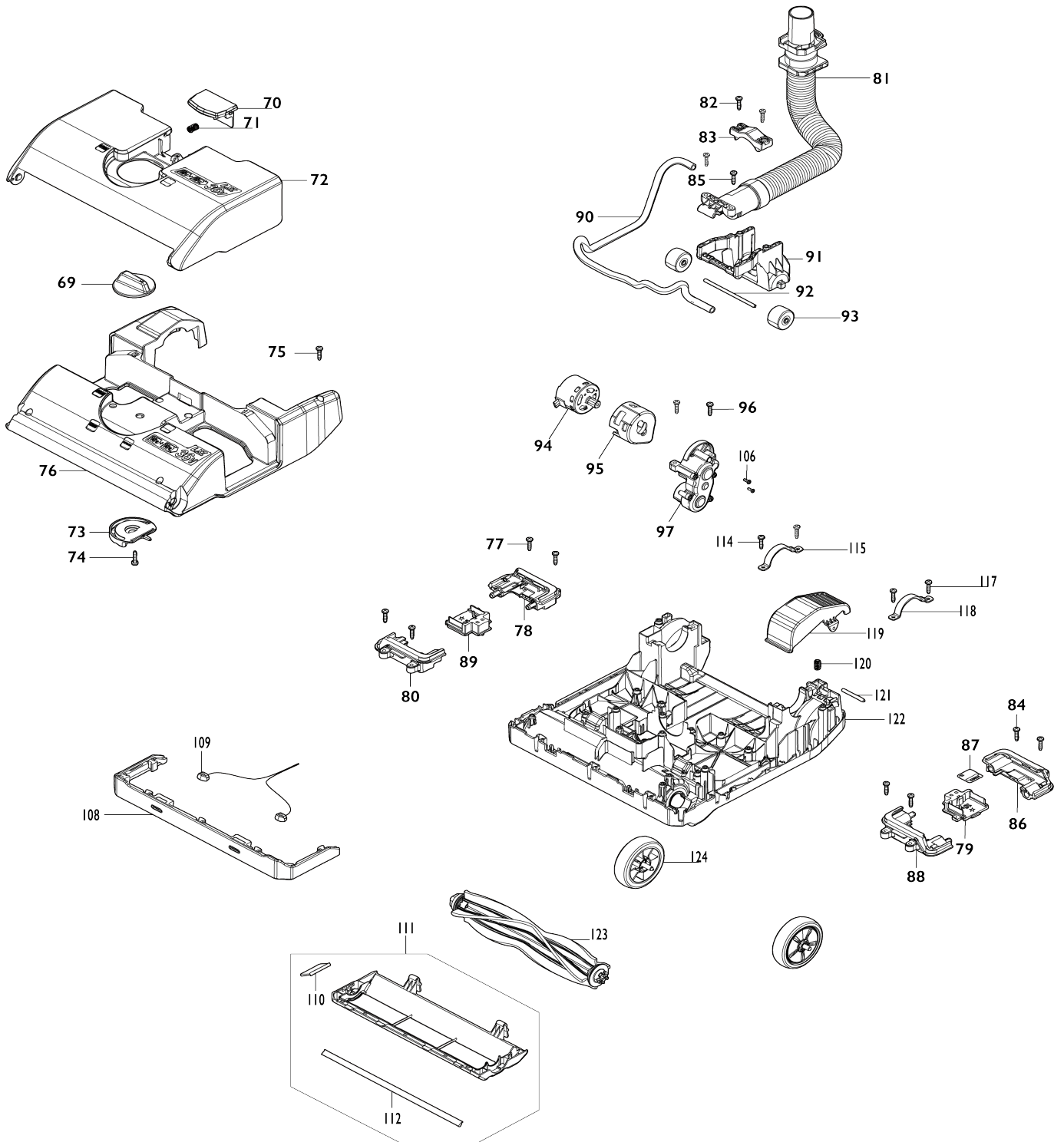


Model No.DVC560 CORDLESS UPRIGHT CLEANER



Model No.DVC560 CORDLESS UPRIGHT CLEANER



Model No.DVC560 CORDLESS UPRIGHT CLEANER

Item No.	Parts No.	Description	Interchangeability	Q'ty	New/Old	Note1	Note2
001	266326-2	TAPPING SCREW 4X18		4			
002	183R12-7	HANDLE SET		1			
D10		INC. 5					
003	140S35-4	SWITCH PLATE COMPLETE		1			
C10	8020C7-1	SWITCH LABEL		1			
004	631973-2	SWITCH UNIT		1			
005	183R12-7	HANDLE SET		1			
D10		INC. 2					
006	327555-3	PIPE A		1			
007	632R23-4	LEAD UNIT		1			
008	266326-2	TAPPING SCREW 4X18		4			
009	140U72-0	TOP COVER COMPLETE		1			
010	266326-2	TAPPING SCREW 4X18		2			
011	266326-2	TAPPING SCREW 4X18		2			
012	632R22-6	LEAD UNIT		1			
013	412455-1	INLET		1			
014	213663-5	O RING 55		1			
015	140V53-0	INDICATION CIRCUIT COMPLETE		1			
016	140S37-0	HOSE COMPLETE 28-0.7		1	*		
016-1	141F95-1	HOSE COMPLETE 28-0.7	<	1			
017	127522-6	PIPE ASSEMBLY		1			
018	266326-2	TAPPING SCREW 4X18		9			
019	412449-6	SIDE DUST BOX COVER		1			
020	422580-0	SEAL RING B		1			
021	632R25-0	LEAD UNIT		1			
022	941051-3	FLAT WASHER 4		1			
023	412465-8	STOPPER PLATE		1			
024	232627-0	TORSION SPRING 9		1			
025	266326-2	TAPPING SCREW 4X18		1			
026	857N02-9	DVC560 NAME PLATE		1			
027	266326-2	TAPPING SCREW 4X18		2			
028	412444-6	NOZZLE HOLDER		2			
029	412464-0	LOCK LEVER A		1			
030	231309-1	COMPRESSION SPRING 5		1			
031	412463-2	STAY		1			
032	234391-9	COMPRESSION SPRING 8		1			
033	136303-7	DUST BOX ASSEMBLY		1	*		
033-1	136605-1	DUST BOX ASSEMBLY	<	1	*		
033-2	137109-6	DUST BOX ASSEMBLY	S	1			
034	140V23-9	VALVE COMPLETE		1			
035	191D63-2	FILTER BAG SET		1	*		
035-1	191T96-3	FILTER BAG SET	O	1			
036	412446-2	LATCH		1			
037	191E39-5	MAIN FILTER H SET		1			
038	422578-7	SEAL RING A		1			
039	412445-4	DUST BOX COVER		1			
040	266326-2	TAPPING SCREW 4X18		7			

041	140S32-0	MOTOR COVER COMPLETE		1		
042	422376-9	SUPPORT RING		1		
043	161804-6	FAN COVER		1		
044	252268-6	HEX. NUT M6		1		
045	322407-3	WASHER 6		1		
046	241851-4	FAN 94		1		
047	313062-2	FLANGE		1		
048	266326-2	TAPPING SCREW 4X18		3		
049	456736-3	FAN BASE		1		
050	619517-8	ROTOR		1	*	
050-1	619517-8	ROTOR	O	1		
051	629A10-0	STATOR		1		
052	687464-1	SUPPORT		1		
053	620526-2	CONTROLLER B		1		
054	266786-8	+ PAN HEAD TAPPING SCREW 2X 10		4		
055	422370-1	BAND DAMPER C		1		
056	424837-5	SUPPORT A		1		
057	183D13-1	MOTOR HOUSING SET		1		
D10		INC. 58				
058	183D13-1	MOTOR HOUSING SET		1		
D10		INC. 57				
059	266326-2	TAPPING SCREW 4X18		4		
061	620D17-7	CONTROLLER		1	*	
061-1	620G60-4	CONTROLLER	<	1		
069	412438-1	HEIGHT CHANGE LEVER		1		
070	412440-4	LOCK LEVER B		1		
071	234332-5	COMPRESSION SPRING 7		1		
072	412437-3	BATTERY COVER		1		
073	412439-9	CAM		1		
074	266326-2	TAPPING SCREW 4X18		1		
075	266326-2	TAPPING SCREW 4X18		8		
076	412420-0	UPPER HOUSING		1		
077	266326-2	TAPPING SCREW 4X18		4		
078	183R14-3	TERMINAL CASE SET		1		
C10	263005-3	RUBBER PIN 6		2		
D10		INC .80				
079	644809-6	TERMINAL		1		
080	183R14-3	TERMINAL CASE SET		1		
C10	263005-3	RUBBER PIN 6		2		
D10		INC. 78				
081	140S36-2	HOSE COMPLETE 28-0.2		1	*	
081-1	141F94-3	HOSE COMPLETE 28-0.2	<	1		
082	266326-2	TAPPING SCREW 4X18		2		
083	412435-7	CAM PLATE		1		
084	266326-2	TAPPING SCREW 4X18		4		
085	266326-2	TAPPING SCREW 4X18		2		
086	183R14-3	TERMINAL CASE SET		1		
C10	263005-3	RUBBER PIN 6		2		
D10		INC. 88				
087	857N09-5	DVC560 SERIAL NO. LABEL		1		
088	183R14-3	TERMINAL CASE SET		1		

C10	263005-3	RUBBER PIN 6		2		
D10		INC. 86				
089	644809-6	TERMINAL		1		
090	422582-6	TUBE		1		
091	412433-1	FRONT ROLLER HOLDER		1		
092	256954-1	FRONT ROLLER SHAFT		1		
093	412434-9	FRONT ROLLER		2		
094	629A11-8	DC MOTOR		1		
095	422583-4	TUBE JOINT		1		
096	266326-2	TAPPING SCREW 4X18		2		
097	122A42-1	BRUSH GEAR ASSEMBLY		1		
106	265199-0	+ PAN HEAD SCREW M3X8		2		
108	422574-5	BUMPER		1		
109	620D19-3	LED CIRCUIT		1		
110	422577-9	SIDE BRUSH		1		
111	127521-8	BOTTOM PLATE ASSEMBLY		1		
D10		INC. 110,112				
112	422576-1	BRUSH		1		
114	266326-2	TAPPING SCREW 4X18		2		
115	347719-3	HINGE HOLDER		1		
116	632R30-7	SWITCH UNIT		1		
117	266326-2	TAPPING SCREW 4X18		2		
118	347719-3	HINGE HOLDER		1		
119	412454-3	FOOT LEVER		1	*	
119-1	413J90-8	FOOT LEVER	O	1		
120	234339-1	COMPRESSION SPRING 6		1		
121	256965-6	PIN 4		1		
122	140W03-1	LOWER HOUSING COMPLETE		1		
C10	8020C4-7	CAUTION LABEL		1		
123	191D69-0	BRUSH COMPLETE SET		1	*	
C10	141K74-9	BRUSH METAL HOLDER COMPLETE		1	*	
123-1	1910T8-6	BRUSH COMPLETE SET	<	1		
C10	141K74-9	BRUSH METAL HOLDER COMPLETE		1		
124	140S28-1	CASTER 75 COMPLETE		2		
125	413R43-5	FOOT LEVER STOPPER	S	1		
126	266326-2	TAPPING SCREW 4X18	S	1		
A01	191D65-8	LONG SASH NOZZLE SET		1		
A02	191D67-4	ROUND BRUSH SET		1		
F02	191D65-8	LONG SASH NOZZLE SET		1		
F03	191D67-4	ROUND BRUSH SET		1		
F05	191E39-5	MAIN FILTER H SET		1		
F06	191Y86-6	DUST BAG SET		1		
F07	1912B1-6	GRIP ASSEMBLY SET		1		

Please state Parts No. when your order.

Print Date 02/16/2024