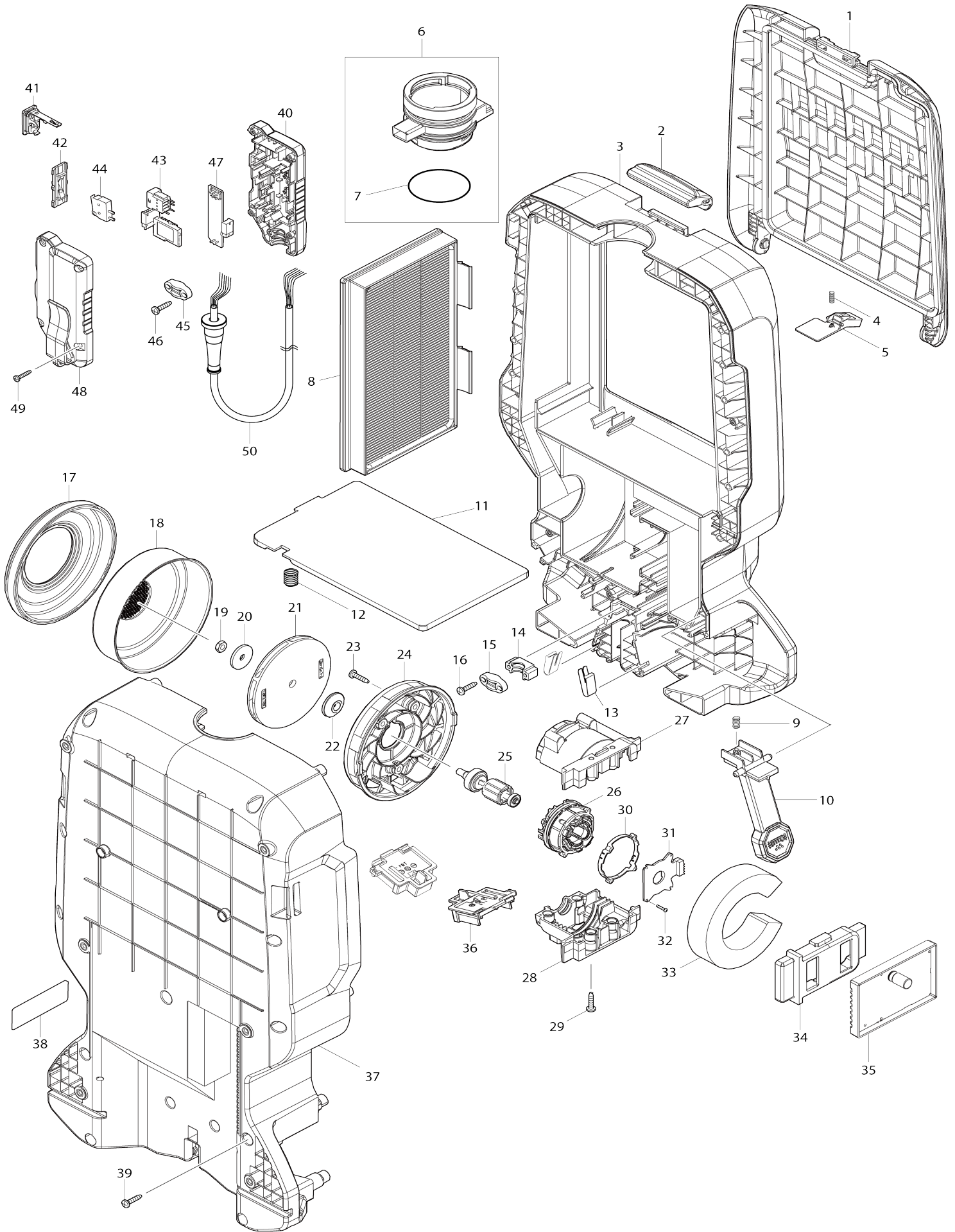
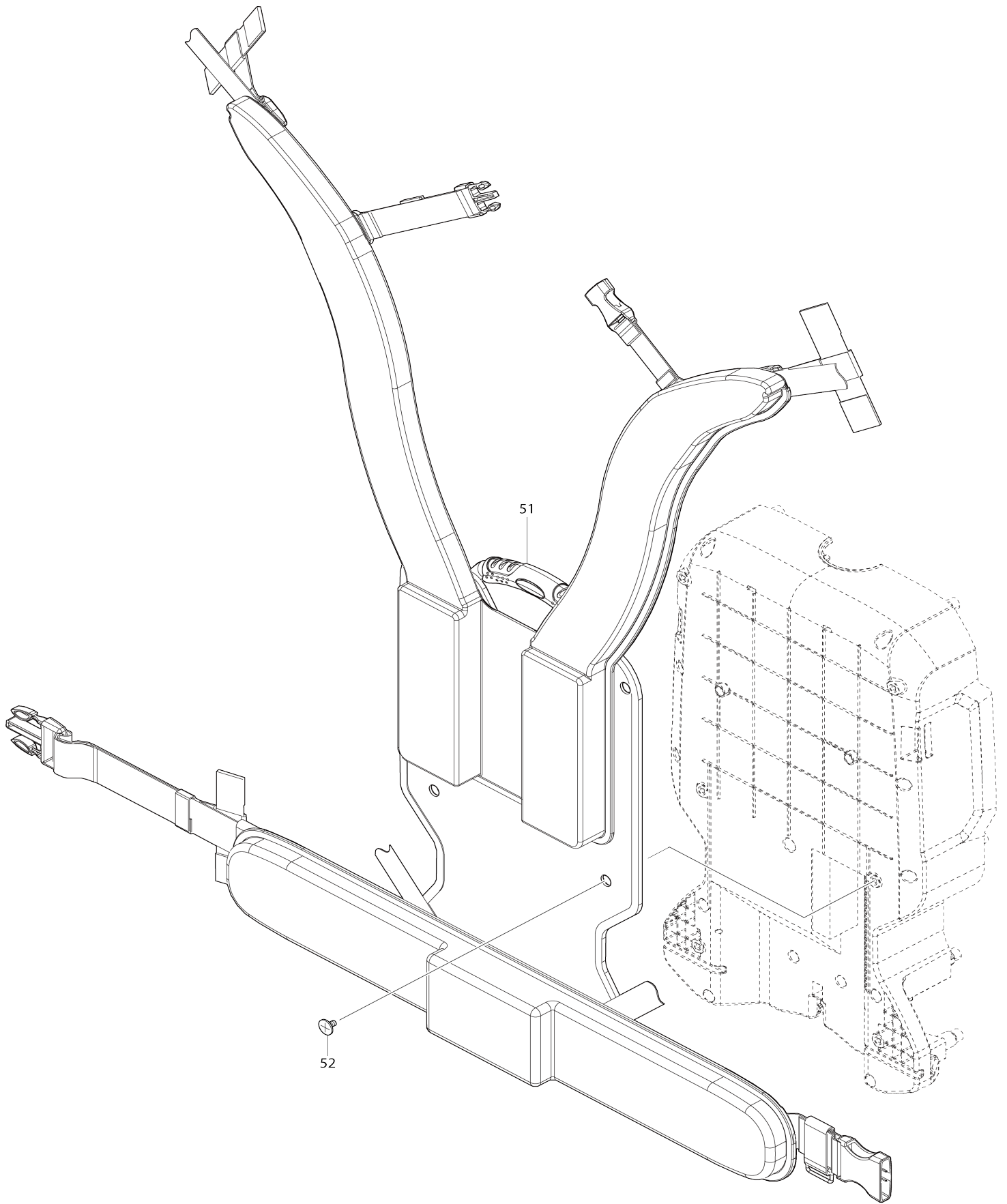


# Model No.DVC665 DC BACKPACK VACUUM CLEANER



Model No.DVC665 DC BACKPACK VACUUM CLEANER



Model No.DVC665 DC BACKPACK VACUUM CLEANER

Item No.	Parts No.	Description	Interchangability	Q'ty	New/Old	Note1	Note2
001	140P98-2	DUST BOX COVER COMPLETE		1			
C10	422536-3	SEAL A		1			
002	123586-8	LATCH ASSEMBLY		1			
003	140P92-4	UPPER HOUSING COMPLETE		1			
C10	422534-7	BAND DAMPER D		1			
C20	422550-9	BAND DAMPER A		1			
004	232389-0	COMPRESSION SPRING 5		1			
005	412268-0	STOPPER PLATE		1			
006	135771-1	INLET ASS'Y		1			
D10		INC. 7					
007	213655-4	O RING 56		1			
008	191D12-9	MAIN FILTER H SET		1			
009	232588-4	COMPRESSION SPRING 6		1			
010	140P99-0	LEVER 100 COMPLETE		1			
011	459913-6	PLATE		1			
012	234141-2	COMPRESSION SPRING 12		2			
013	232267-4	LEAF SPRING		2			
014	687051-6	STRAIN RELIEF		1			
015	687123-7	STRAIN RELIEF		1			
016	266326-2	TAPPING SCREW 4X18		2			
017	422376-9	SUPPORT RING		1			
018	161804-6	FAN COVER		1			
019	252268-6	HEX. NUT M6		1			
020	322407-3	WASHER 6		1			
021	241851-4	FAN 94		1			
022	313062-2	FLANGE		1			
023	266326-2	TAPPING SCREW 4X18		3			
024	456736-3	FAN BASE		1			
025	619517-8	ROTOR		1	*		
025-1	619517-8	ROTOR	O	1			
026	629381-9	STATOR		1			
027	183D13-1	MOTOR HOUSING SET		1			
D10		INC. 28					
028	183D13-1	MOTOR HOUSING SET		1			
D10		INC. 27					
029	266326-2	TAPPING SCREW 4X18		4			
030	687464-1	SUPPORT		1			
031	620526-2	CONTROLLER B		1			
032	266786-8	+ PAN HEAD TAPPING SCREW 2X10		4			
033	422370-1	BAND DAMPER C		1			
034	424837-5	SUPPORT A		1			
035	620C53-7	CONTROLLER		1			
036	644809-6	TERMINAL		2			
037	140P94-0	LOWER HOUSING COMPLETE		1			
C10	422535-5	BAND DAMPER E		1			
C20	422551-7	BAND DAMPER B		1			
038	856K60-4	DVC665 NAME PLATE		1			

039	266326-2	TAPPING SCREW 4X18		13			
040	183K75-1	SWITCH CASE SET		1			
C10	818F55-5	SWITCH LABELA		1			
C20	818F56-3	SWITCH LABELB		1			
D10		INC. 48					
041	140G18-2	CAP COMPLETE		1			
C10	213218-6	O RING 16		1	*		
C11	213A05-9	O-RING16	O	1			
C20	818F57-1	CAP LABEL		1			
042	458714-9	SWITCH LEVER		1			
043	620943-6	SUB CONTROLLER		1			
044	632E26-0	SWITCH UNIT		1			
045	687123-7	STRAIN RELIEF		1			
046	266326-2	TAPPING SCREW 4X18		2			
047	620949-4	SWITCH CIRCUIT		1			
048	183K75-1	SWITCH CASE SET		1			
C10	818F55-5	SWITCH LABELA		1			
C20	818F56-3	SWITCH LABELB		1			
D10		INC. 40					
049	266130-9	TAPPING SCREW BIND PT 3X16		4			
050	699137-4	POWER SUPPLY CORD UNIT		1	*		
050-1	699137-4	POWER SUPPLY CORD UNIT	O	1			
051	162750-6	HARNESS		1			
052	265008-3	+ FLAT HEAD SCREW M5		6			
A01	152992-0	HOSE COMPLETE 28-1.5		1			
A02	166116-2	HOSE BAND		1			
A03	191C26-2	FILTER BAG SET		1			
A08	417765-1	FRONT CUFF 22		1			
A09	424379-9	FRONT CUFF 24		1			
A12	198900-7	WIRELESS UNIT SET		1	*		
A12-1	198900-7	WIRELESS UNIT SET	<	1	*		
A12-2	198900-7	WIRELESS UNIT SET	<	1			
F10	192236-6	TAPERED NOZZLE SET		1			
F13	195545-2	FRONT CUFF 38 SET		1			
F14	195546-0	FRONT CUFF 24 SET		1			
F15	195547-8	FRONT CUFF 22 SET		1			
F16	195548-6	JOINT 22-38 SET		1			
F17	195549-4	T-NOZZLE ASSY A SET(DRY)38		1			
F18	195551-7	T-NOZZLE SET 38		1			
F28	198184-7	F/C SWITCHING T-NOZZLE 38		1			
F32	198533-8	F/C SWITCHING T-NOZZLE 38 EU		1			
F33	198537-0	SHELF BRUSH SET28 IVO EU		1			
F34	191496-7	FLEXIBLE HOSE SET28(IVO)		1			
F36	198552-4	ROUND BRUSH SET 28 IVO		1			
F39	198560-5	TELESCOPIC PIPE SET 28 EU		1			
F51	198990-0	LONG SASH NOZZLE SET 28 BLU		1			
F56	199039-9	SEAT NOZZLE SET 28 BLK		1			
F58	199041-2	SEAT NOZZLE SET 28 BLU		1			
F78-2	198900-7	WIRELESS UNIT SET	<	1			
F82	191E30-3	FLEXIBLE HOSE SET(LOCK)		1			
F86	191M77-5	JOINT A 32 SET		1			

F87	191M78-3	JOINT B 35 SET		1			
F88	191M79-1	JOINT C 38 SET		1			
F89	191Y84-0	DUST BAG SET		1			
G09	1912G4-5	TELESCOPIC PIPE COMPLETE SET		1			
G10	1912G5-3	BENT PIPE COMPLETE SET		1			

Please state Parts No. when your order.

Print Date 12/09/2023