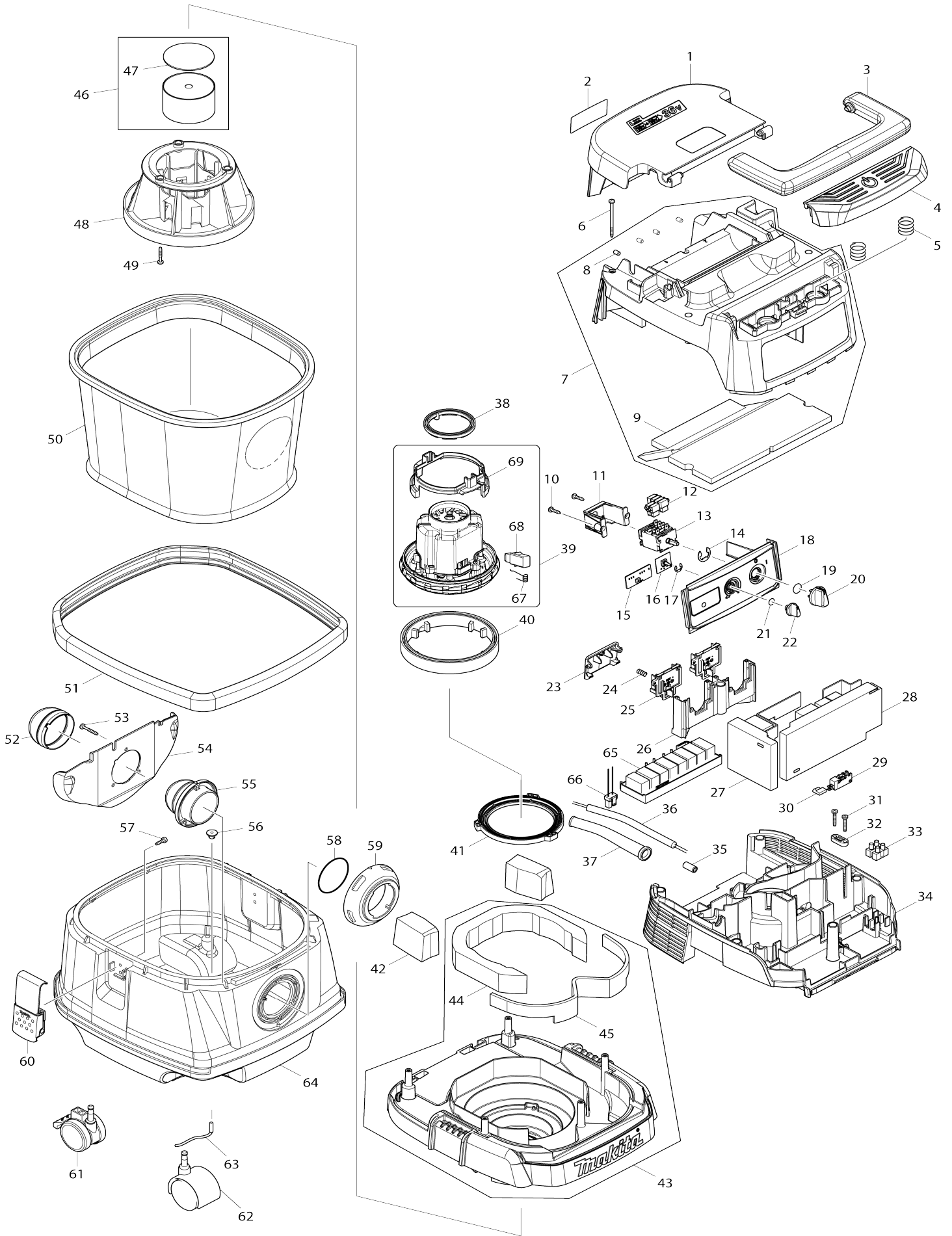


Model No. DVC860L AC AND DC VACUUM CLEANER



Model No.DVC860L AC AND DC VACUUM CLEANER

Item No.	Parts No.	Description	Interchangability	Q'ty	New/Old	Note1	Note2
001	143174-5	BATTERY COVER COMPLETE		1			
002	850V27-0	DVC860L NAME PLATE		1			
003	455734-4	GRIP		1			
004	455730-2	SWITCH BUTTON		1	*		
004-1	459262-1	SWITCH BUTTON	<	1			
005	234273-5	COMPRESSION SPRING 20		2			
006	266340-8	TAPPING SCREW 4X65		6			
007	143173-7	COWLING COMPLETE		1			
D10		INC. 8,9					
008	263005-3	RUBBER PIN 6		4			
009	424688-6	TOP DAMPER		1			
010	266326-2	TAPPING SCREW 4X18		2			
011	451343-7	SWITCH HOLDER		1			
012	686023-8	RECEPTACLE SLEEVE		6			
013	650745-6	SWITCH		1			
014	961062-2	STOP RING E-12		1			
015	620394-3	LED CIRCUIT		1			
016	631922-9	SUB CONTROLLER		1			
017	961013-5	STOP RING E-7		1			
018	143176-1	SWITCH BASE COMPLETE		1			
019	213176-6	O RING 14		1			
020	455733-6	SWITCH LEVER		1			
021	213054-0	O RING 9		1			
022	451344-5	SWITCH DIAL		1			
023	455728-9	BATTERY COVER HOOK		1			
024	231240-1	COMPRESSION SPRING 7		1			
025	644808-8	TERMINAL		2			
026	455729-7	TERMINAL BASE		1			
027	620406-2	CONTROLLER B		1			
028	620392-7	CONTROLLER A		1			
029	651910-0	SWITCH D2VW-01-3HS		1			
030	686039-3	RECEPTACLE SLEEVE		2			
031	266374-1	TAPPING SCREW 4X25		2			
032	687123-7	STRAIN RELIEF		1			
033	654561-8	TERMINAL BLOCK		1			
034	455726-3	SEPARATER		1			
035	688161-2	LINE FILTER		2	*		
035-1	688163-8	LINE FILTER	S	1			
036	666899-9	POWER SUPPLY CORD 1.0-2-0.55		1			
037	682584-6	CORD GUARD		1			
038	424685-2	RUBBER RING 60		1			
039	629156-6	MOTOR ASSEMBLY		1			
D10		INC. 67-69					
040	424686-0	RUBBER RING 120		1			
041	424687-8	SUPPORT RING		1			
042	424690-9	REAR BLOCK FILTER		2			
043	143175-3	TANK COVER COMPLETE		1			

D10		INC. 44,45				
044	424691-7	BAND DAMPER		1		
045	424689-4	FRONT DAMPER		1		
046	158166-1	FLOAT COMPLETE		1		
D10		INC. 47				
047	423365-7	SPONGE SEAL 70		1		
048	419725-9	FLOAT CAGE		1		
049	266374-1	TAPPING SCREW 4X25		3		
050	140248-3	CLOTH FILTER COMPLETE		1		
051	424230-3	BUMPER		1	*	
051-1	422148-2	BUMPER	O	1		
052	424382-0	RUBBER HOLDER		1		
053	266257-5	TAPPING SCREW 4X28		3		
054	419351-4	HOLDER PLATE		1		
055	419350-6	HOLDER		1		
056	421468-1	CORD SEAL		1		
057	266192-7	TAPPING SCREW 4X14		4		
058	213655-4	O RING 56		1		
059	451348-7	INLET		1		
060	168537-4	HOOK		2		
061	168535-8	CASTER 50		2		
062	168434-4	CASTER 50		2		
063	649150-2	EARTH LINE 120		1		
064	451334-8	TANK		1		
065	620502-6	CONTROLLER C		1		
066	632F97-3	LEAD UNIT		1		
067	DM46312612	BRUSH SPRING		2		
068	197208-6	CARBON BRUSH CB-353		1		
069	DM46714602	BRUSH HOLDER		1		
A01	122512-4	NOZZLE ASS'Y 38		1		
C01	151449-8	ROLLER 40 COMPLETE		2		
C06	415962-3	ROLLER 14		2		
C11	256241-8	PIN 3		2		
C16	265871-4	TAPPING SCREW BT 4X16		6		
C21	154427-7	ELBOW JOINT COMPLETE		1		
C26	415965-7	UPPER NOZZLE		1		
C31	415964-9	JOINT HOLDER		1		
C36	743328-0	BRUSH		1		
C41	743327-2	WIPER		1		
A02	195434-1	HOSE COMPLETE 38-2.5 SET		1	*	
A02-1	195434-1	HOSE COMPLETE 38-2.5 SET	O	1		
C20	417191-4	CUFF LOCK		1		
C30	417306-3	SLEEVE		2		
C40	417307-1	FRONT CUFF		1		
C50	417586-1	STOPPER		2		
A03	195432-5	POLY BAG SET(650X650)		1		
A04	192563-1	STRAIGHT PIPE SET 565-38		1		
A05	192562-3	BENDING PIPE		1		
A06	410306-2	CORNER NOZZLE		1		
A07	451350-0	STOPPER		1		
A08	455732-8	TOOL BOX		1		
A09	911138-5	P.H.SCREW M4X20 WITH WR		1		

A10	661914-4	CONNECTION CORD		1		
E01	891978-6	CAUTION LABEL		1		
E04	688161-2	LINE FILTER	S	1		
F04	195555-9	FILTER FOR WATER SET		1		
F09	192236-6	TAPERED NOZZLE SET		1		
F15	195435-9	HOSE COMPLETE 38-5 SET		1		
F16	195436-7	HOSE COMPLETE 28-5 SET		1		
F17	195437-5	HOSE COMPLETE 28-2.5 SET		1		
F19	195544-4	HOLDER 10-33 SET		1		
F20	195545-2	FRONT CUFF 38 SET		1		
F21	195546-0	FRONT CUFF 24 SET		1		
F22	195547-8	FRONT CUFF 22 SET		1		
F23	195548-6	JOINT 22-38 SET		1		
F24	195549-4	T-NOZZLE ASSY A SET(DRY)38		1		
F25	195550-9	T-NOZZLE ASSY B SET(WET)38		1		
F26	195551-7	T-NOZZLE SET 38		1		
F27	195552-5	DAMPER SET		1		
F28	195553-3	PRE-FILTER SET		1		
F29	195555-9	FILTER FOR WATER SET		1		
F30	195557-5	FILTER BAG SET 15L(5PCS)		1	*	
F30-1	1912R3-4	FILTER BAG SET	O	1		
F31	195637-7	HOLDER,CUFF SET		1		
F38-1	197265-4	BATTERY BL1840B SET	O	1		
F39-1	197273-5	BATTERY BL1840B SET(2PIECES)	O	1		
F46	198184-7	F/C SWITCHING T-NOZZLE 38		1		
F48	198533-8	F/C SWITCHING T-NOZZLE 38 EU		1		
F55	191G76-1	MESH SLEEVE HOSE 28-5 SET		1		
F86	191M77-5	JOINT A 32 SET		1		
F87	191M78-3	JOINT B 35 SET		1		
F88	191M79-1	JOINT C 38 SET		1		
G09	1912G4-5	TELESCOPIC PIPE COMPLETE SET		1		
G10	1912G5-3	BENT PIPE COMPLETE SET		1		
G11	413R35-4	STOPPER		1		

Please state Parts No. when your order.

Print Date 12/09/2023