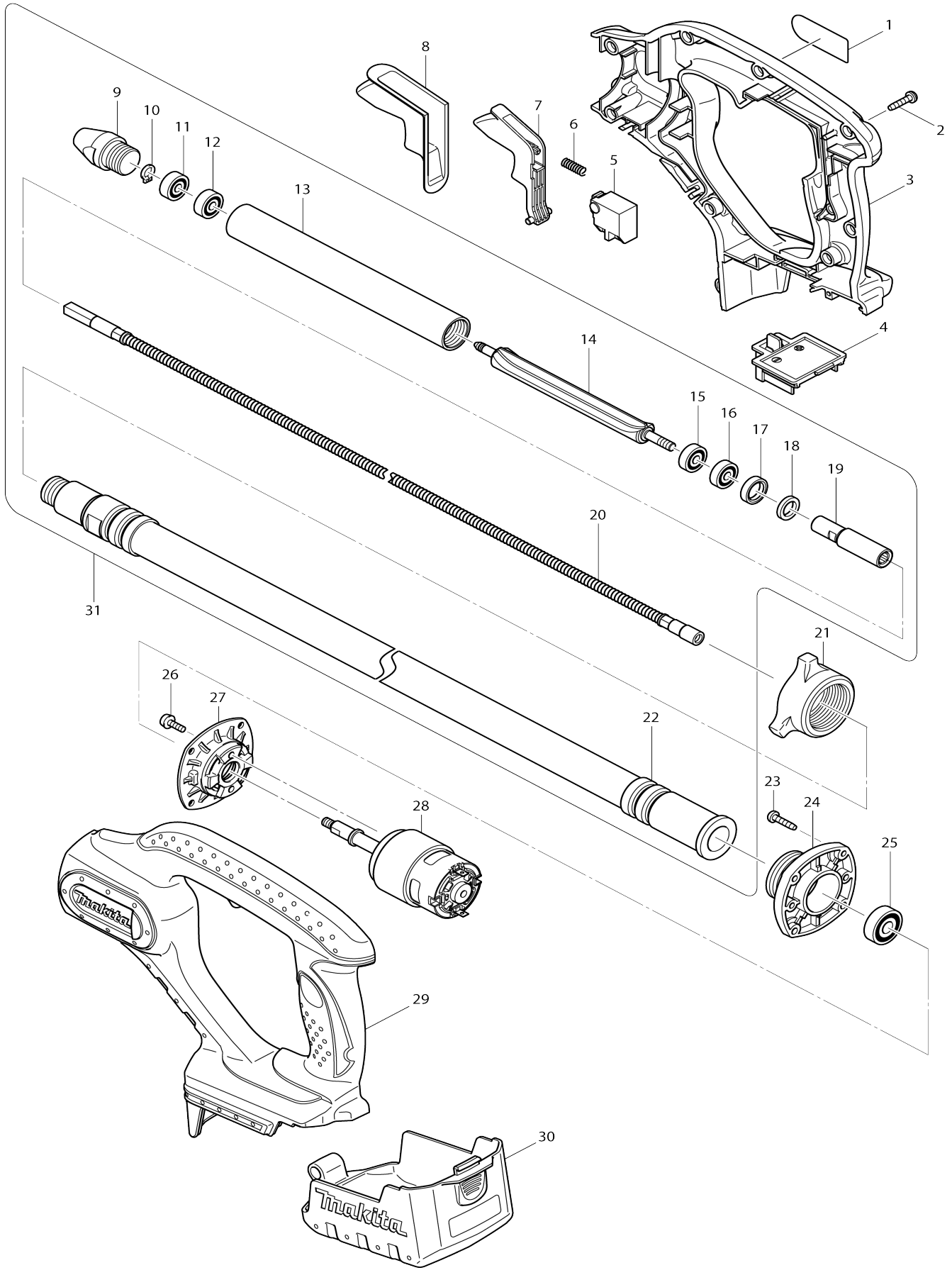


# Model No.DVR850 CORDLESS CONCRETE VIBRATOR



**Model No.DVR850 CORDLESS CONCRETE VIBRATOR**

Item No.	Parts No.	Description	Interchangability	Q'ty	New/Old	Note1	Note2
001	850D63-8	DVR850 NAME PLATE		1			
002	266045-0	TAPPING SCREW 4X20		9			
003	187867-4	HOUSING SET		1	*		
D10		INC. 29					
003-1	187865-8	HOUSING SET	S	1			
D10		INC. 29					
004	643843-3	TERMINAL		1			
005	650580-2	SWITCH SGE120C-4		1	*		
005-1	650580-2	SWITCH SGE120C-4	O	1			
006	231298-0	COMPRESSION SPRING 6		1			
007	419511-8	SWITCH LEVER		1			
008	421961-5	WATERPROOF COVER		1			
009	322935-8	CAP		1			
010	961002-0	RETAINING RING S-6		1			
011	210018-5	BALL BEARING 626		1			
012	210018-5	BALL BEARING 626		1			
013	331503-6	PIPE 25		1			
014	322934-0	UNBALANCER		1			
015	211016-2	BALL BEARING 626LLB		1			
016	211016-2	BALL BEARING 626LLB		1			
017	421578-4	RUBBER RING		1			
018	443101-5	FELT RING		1			
019	326203-1	JOINT		1			
020	163535-3	FLEXIBLE WIRE		1			
021	416244-6	NUT 36		1			
022	163538-7	FLEXIBLE HOSE		1			
023	266045-0	TAPPING SCREW 4X20		4			
024	316893-8	BEARING BOX		1			
025	211056-0	BALL BEARING 629LLB		1			
026	911118-1	PAN HEAD SCREW M4X12		2			
027	318867-5	SUPPORTER		1	*		
027-1	318038-4	SUPPORTER	S	1			
028	629947-5	DC MOTOR		1	*		
028-1	629497-0	DC MOTOR	S	1			
029	187867-4	HOUSING SET		1	*		
D10		INC. 3					
029-1	187865-8	HOUSING SET	S	1			
D10		INC. 3					
030	158051-8	COVER COMPLETE		1			
C10	810196-7	CAUTION LABEL		1			
031	126208-9	FLEXIBLE ASS'Y		1			
D10		INC. 9-20,22					
A01	***DC18RC	DC18RC FAST CHARGER		1			
A02	194204-5	BATTERY BL1830 SET		2	*		
A02-1	194204-5	BATTERY BL1830 SET	O	2	*		
A02-2	197600-6	BATTERY BL1830B SET	<	2	*		
A02-3	197600-6	BATTERY BL1830B SET	O	2			

A03	141481-0	PLASTIC CARRYING CASE		1	*		
C10	417383-5	LATCH		2	*		
A03-1	821766-7	PLASTIC CASE	O	1			
C10	417383-5	LATCH		2			
A04	450128-8	BATTERY COVER		1			
E01	688161-2	LINE FILTER		1	*		
E02	688172-7	LINE FILTER		1	*		
E03	632R62-4	LINE FILTER UNIT	S	1			

Please state Parts No. when your order.

Print Date 10/25/2023