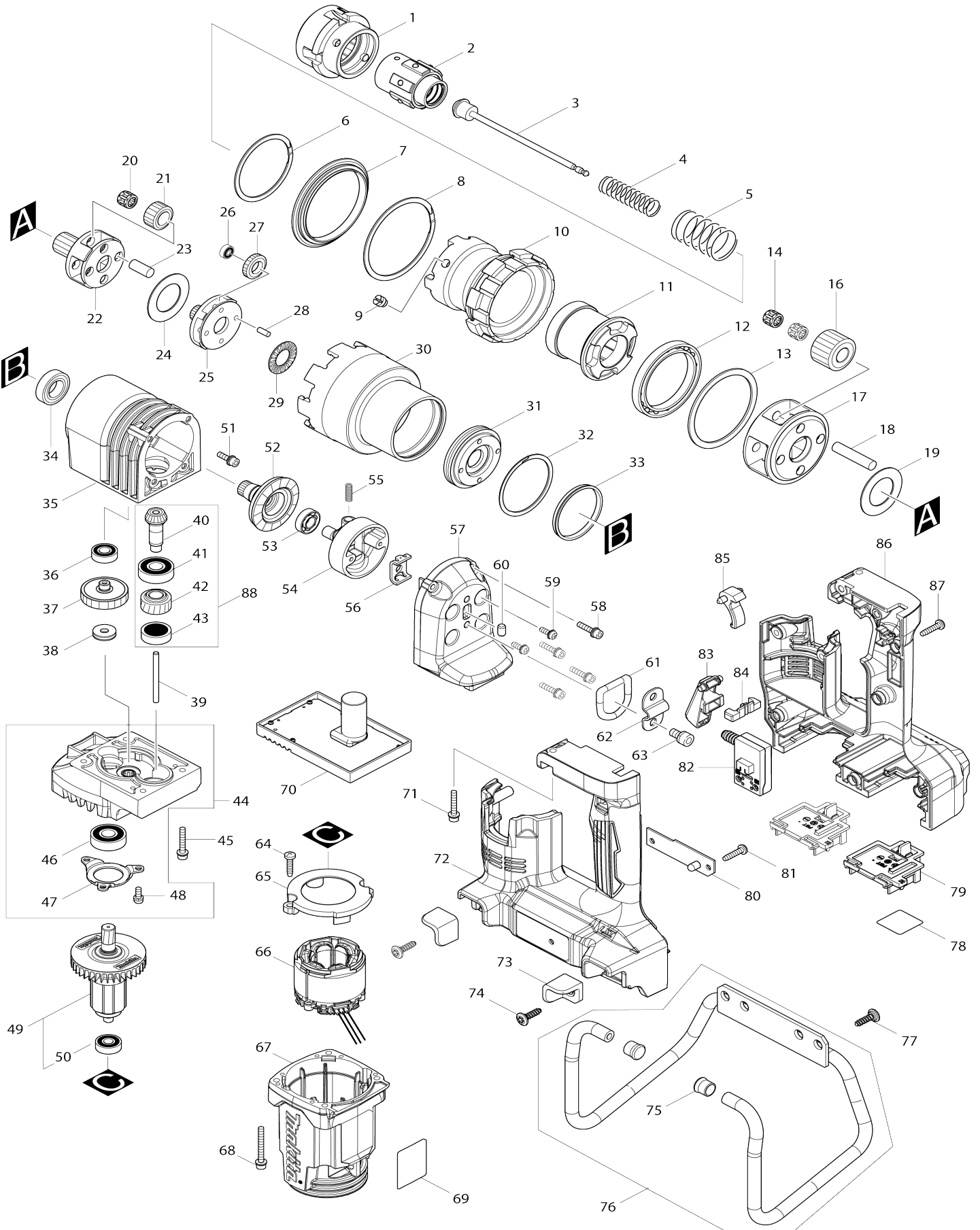


Model No.DWT310 CORDLESS SHEAR WRENCH



Model No.DWT310 CORDLESS SHEAR WRENCH

Item No.	Parts No.	Description	Interc hang eability	Q'ty	New/ Old	Note1	Note2
001	153909-6	OUTER SLEEVE 22-39 COMPLETE		1			
002	764423-3	INNER SLEEVE 22-39 COMPLETE		1			
003	165074-9	CHIP ROD		1			
004	233087-9	COMPRESSION SPRING 13		1			
005	234143-8	COMPRESSION SPRING 25		1			
006	257941-3	SPIRO LOCK WASHER 62		1			
007	324447-7	SPACER		1			
008	257940-5	SPIRO LOCK WASHER 70		1			
009	266022-2	- SET SCREW(DOG POINT) M8X8		2			
010	325688-8	OUTER SUPPORT		1			
011	153872-3	INNER SUPPORT COMPLETE		1			
012	211611-8	BALL BEARING 6810		1			
013	267282-9	FLAT WASHER 60		1			
014	212954-1	NEEDLE CAGE 810		8			
016	227117-6	SPUR GEAR 20		4			
017	310147-5	CARRIER		1			
018	256228-0	PIN 8		4			
019	216207-0	WASHER 2542		1			
020	212954-1	NEEDLE CAGE 810		4			
021	226270-5	SPUR GEAR 25		4			
022	226275-5	SPUR GEAR 11		1			
023	256227-2	PIN 8		4			
024	216207-0	WASHER 2542		1			
025	226273-9	SPUR GEAR 14		1			
026	211044-7	BALL BEARING 694		4			
027	226269-0	SPUR GEAR 25		4			
028	256226-4	PIN 4		4			
029	216403-0	THRUST NEEDLE CAGE 1528		1			
030	227118-4	INTERNAL GEAR 53-66		1			
031	323855-9	BRACKET		1			
032	257929-3	SPIRO LOCK WASHER 52		1			
033	257186-3	RING 44		1			
034	211221-1	BALL BEARING 6902		1			
035	159930-3	GEAR CASE COMPLETE		1			
C10	263002-9	RUBBER PIN 4		2			
036	210013-5	BALL BEARING 698VV		1			
037	226651-3	HELICAL GEAR 30		1			
038	212048-2	THRUST NEEDLE BEARING 617		1			
039	256225-6	PIN 4		1			
040	226711-1	SPIRAL BEVEL GEAR 12		1			
041	211097-6	BALL BEARING 600LLB		1			
042	226476-5	HELICAL GEAR 18		1			
043	211031-6	BALL BEARING 608LLB		1			
044	134788-1	GEAR HOUSING ASS'Y		1			
D10		INC. 46-48					
045	922148-7	HEX. SOCKET HEAD BOLT M4X25		4			
046	211097-6	BALL BEARING 600LLB		1			

047	344470-6	BEARING RETAINER		1		
048	911111-5	PAN HEAD SCREW M4X10 WITH W		3		
049	519497-7	ROTOR ASSY		1		
D10		INC. 50				
050	211023-5	BALL BEARING 607LB		1		
051	922123-3	HEX. SOCKET HEAD BOLT M4X14		4		
052	226812-5	GEAR 14-41		1		
053	211082-9	BALL BEARING 699		1		
054	311930-3	ROD SUPPORTER		1		
055	233098-4	COMPRESSION SPRING 4		1		
056	344062-1	STOPPER PLATE		1		
057	319669-2	REAR COVER		1	*	
057-1	319834-3	REAR COVER	O	1	*	
057-2	312B27-3	REAR COVER	<	1		
058	922133-0	H.S.H.BOLT M4X18 WITH WR		4		
059	911118-1	PAN HEAD SCREW M4X12		2		
060	263005-3	RUBBER PIN 6		1		
061	282018-5	D-RING		1		
062	345517-9	PLATE		1		
063	266157-9	HEX. SOCKET HEAD BOLT M6X12		2		
064	265995-6	TAPPING SCREW 4X18		2		
065	458306-4	BAFFLE PLATE		1		
066	629337-2	STATOR		1	*	
066-1	629C12-8	STATOR	S	1		
067	458302-2	MOTOR HOUSING		1		
068	922909-5	HEX. SOCKET HEAD BOLT M4X35		4		
069	854C60-0	DWT310 NAME PLATE		1		
070	632L40-8	CONTROLLER UNIT		1	*	
070-1	632N37-9	CONTROLLER UNIT	<	1		
071	922149-5	H.S.H.BOLT M4X25 WITH WG		2		
072	183J09-8	HANDLE SET		1	*	
C10	263005-3	RUBBER PIN 6		4	*	
C20	816P35-5	INDICATION LABEL		1	*	
C30	422226-8	SPONGE SHEET		1	*	
C40	416285-2	ACRYLIC PIN 5		1	*	
D10		INC. 86				
072-1	183K85-8	HANDLE SET	<	1		
C10	263005-3	RUBBER PIN 6		4		
C20	816P35-5	INDICATION LABEL		1		
C30	422226-8	SPONGE SHEET		1		
C40	416285-2	ACRYLIC PIN 5		1		
D10		INC. 86				
073	327048-0	PROTECTION BLOCK		2	*	
073-1	347482-8	PROTECTION BLOCK	O	2		
074	251587-7	H.L.TAPPING SCREW 5X18		2		
075	422230-7	CAP		2		
076	135919-5	GUARD PIPE ASS'Y		1	*	
D10		INC. 75				
076-1	135992-5	GUARD ASSY	<	1		
D10		INC. 75				
077	251587-7	H.L.TAPPING SCREW 5X18		4		

078	854C68-4	DWT310 SERIAL NO. LABEL		1		
079	644809-6	TERMINAL		2		
080	620809-0	LED CIRCUIT		1		
081	265995-6	TAPPING SCREW 4X18		2		
082	651083-9	SWITCH C3XA-1PSPM		1		
083	458303-0	SWITCH LEVER		1		
084	458307-2	TRIGGER LOCK		1	*	
084-1	459707-9	TRIGGER LOCK	O	1		
085	311928-0	CHIP LEVER		1		
086	183J09-8	HANDLE SET		1	*	
C10	263005-3	RUBBER PIN 6		4	*	
C20	816P35-5	INDICATION LABEL		1	*	
C30	422226-8	SPONGE SHEET		1	*	
C40	416285-2	ACRYLIC PIN 5		1	*	
D10		INC. 72				
086-1	183K85-8	HANDLE SET	<	1		
C10	263005-3	RUBBER PIN 6		4		
C20	816P35-5	INDICATION LABEL		1		
C30	422226-8	SPONGE SHEET		1		
C40	416285-2	ACRYLIC PIN 5		1		
D10		INC. 72				
087	265995-6	TAPPING SCREW 4X18		7		
088	134790-4	GEAR ASS'Y		1		
D10		INC. 40-43				
089	620K96-7	CONTROLLER B	S	1		
090	638A32-9	LEAD UNIT	S	1		
091	652119-7	PAN HEAD SCREW M2X6	S	6		
A01	764361-9	OUTER SLEEVE 20-37		1		
A02	764422-5	INNER SLEEVE 20-38 COMPLETE		1		
A03	783001-0	(-) SCREWDRIVER 6		1		
A04	821748-9	PLASTIC CASE		1		
C10	162271-8	LATCH		2		
A08	161347-8	SHOULDER BELT		1		

Please state Parts No. when your order.

Print Date 01/05/2024