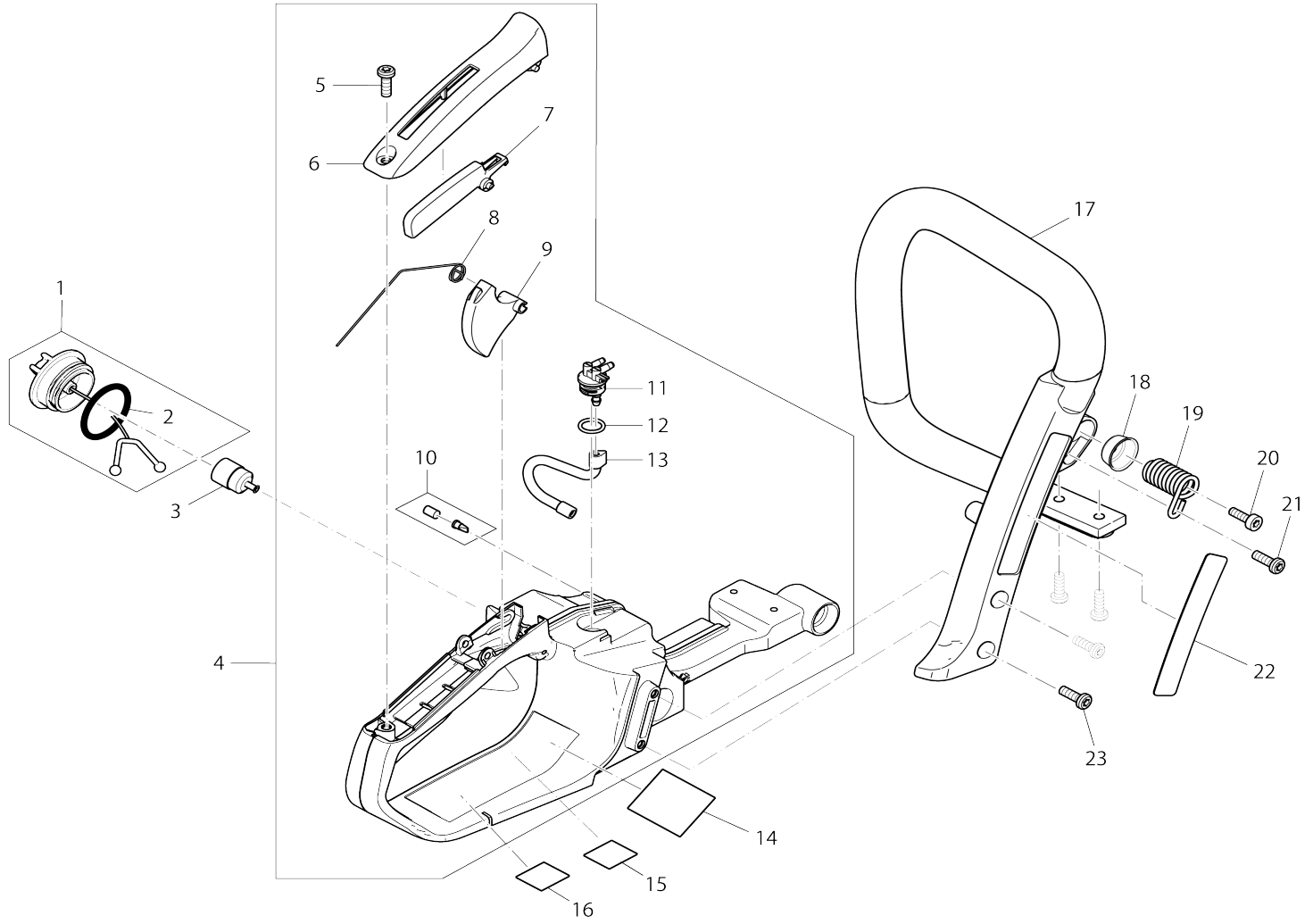
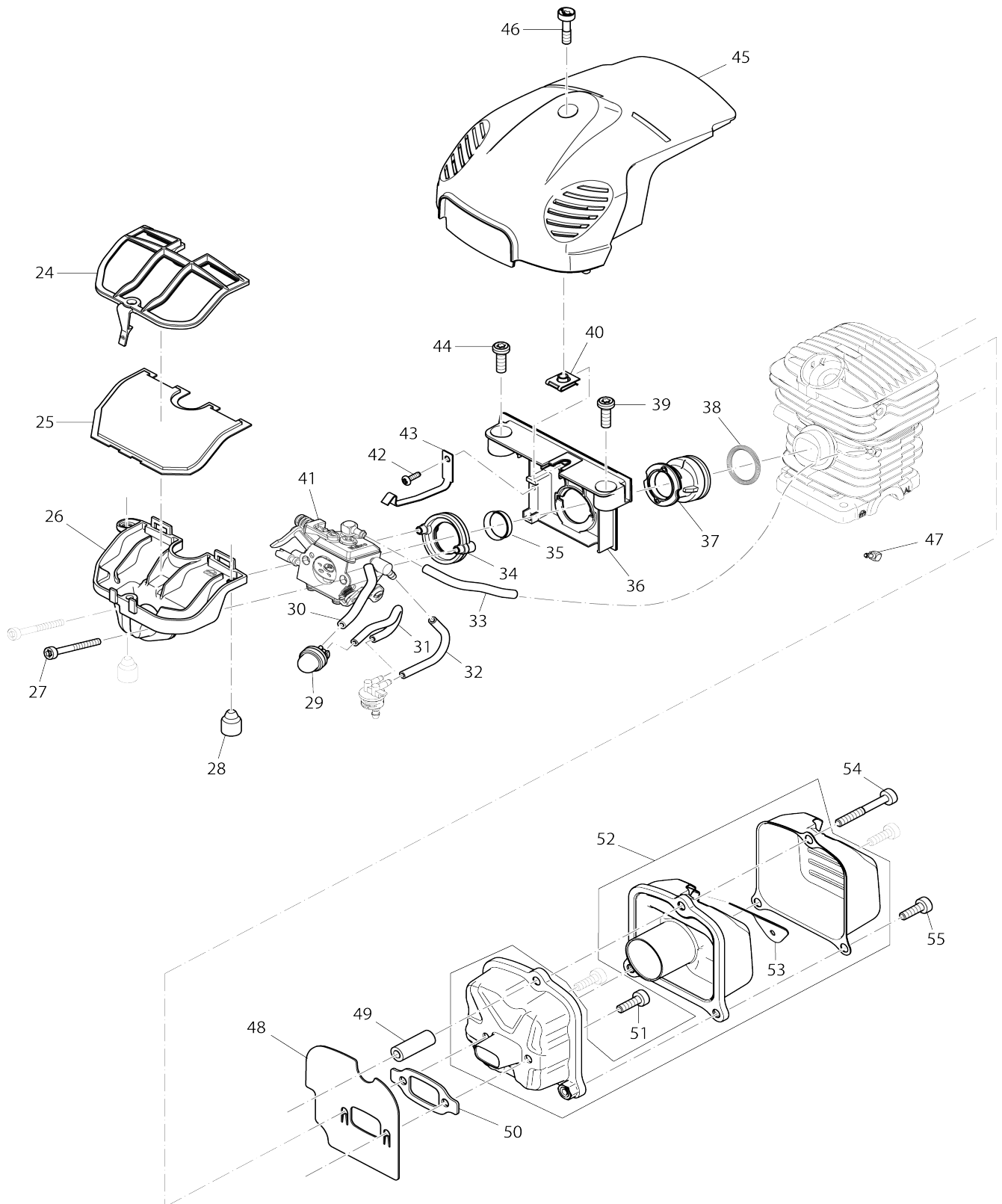


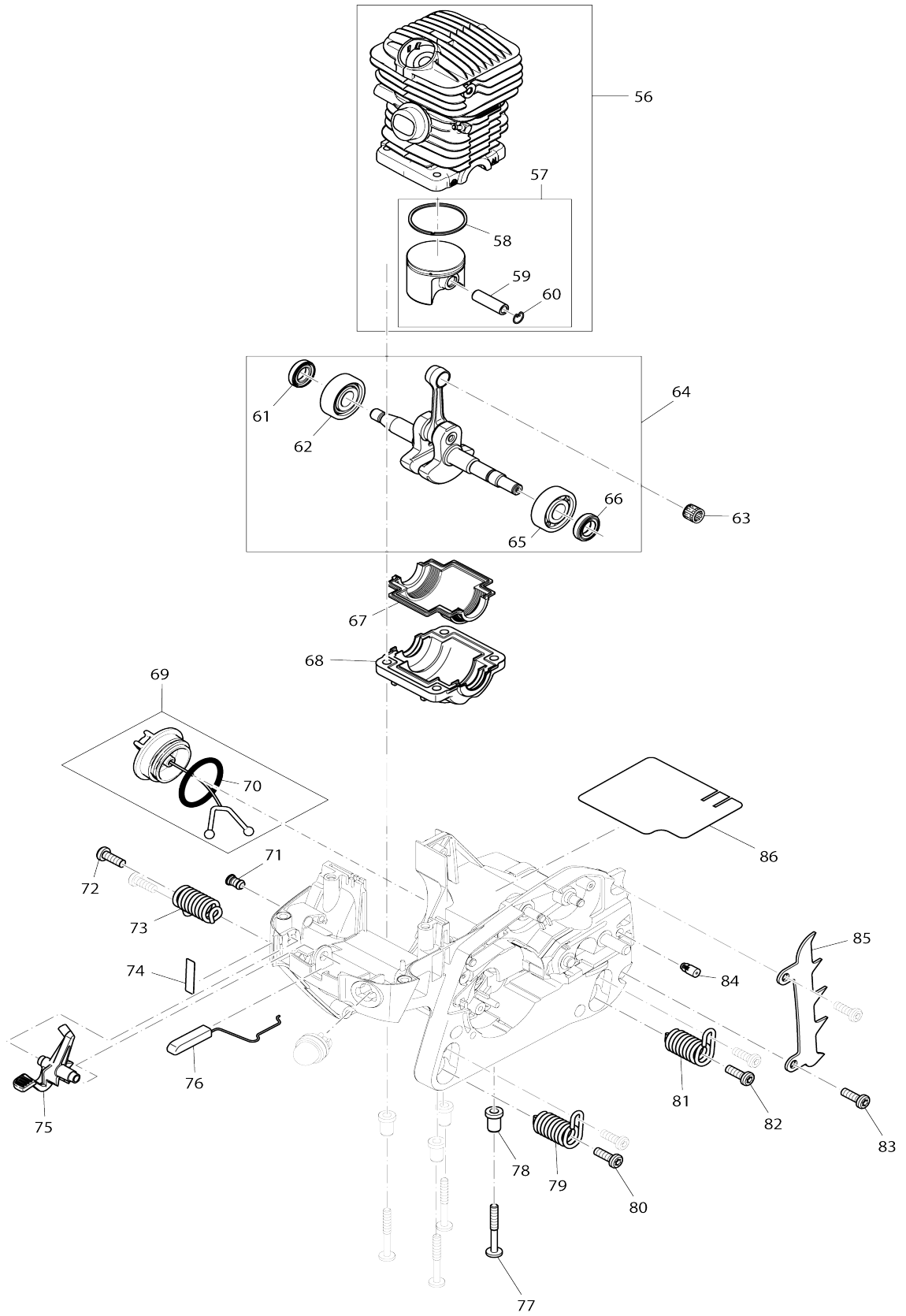
Model No.EA3200S PETROL CHAIN SAW



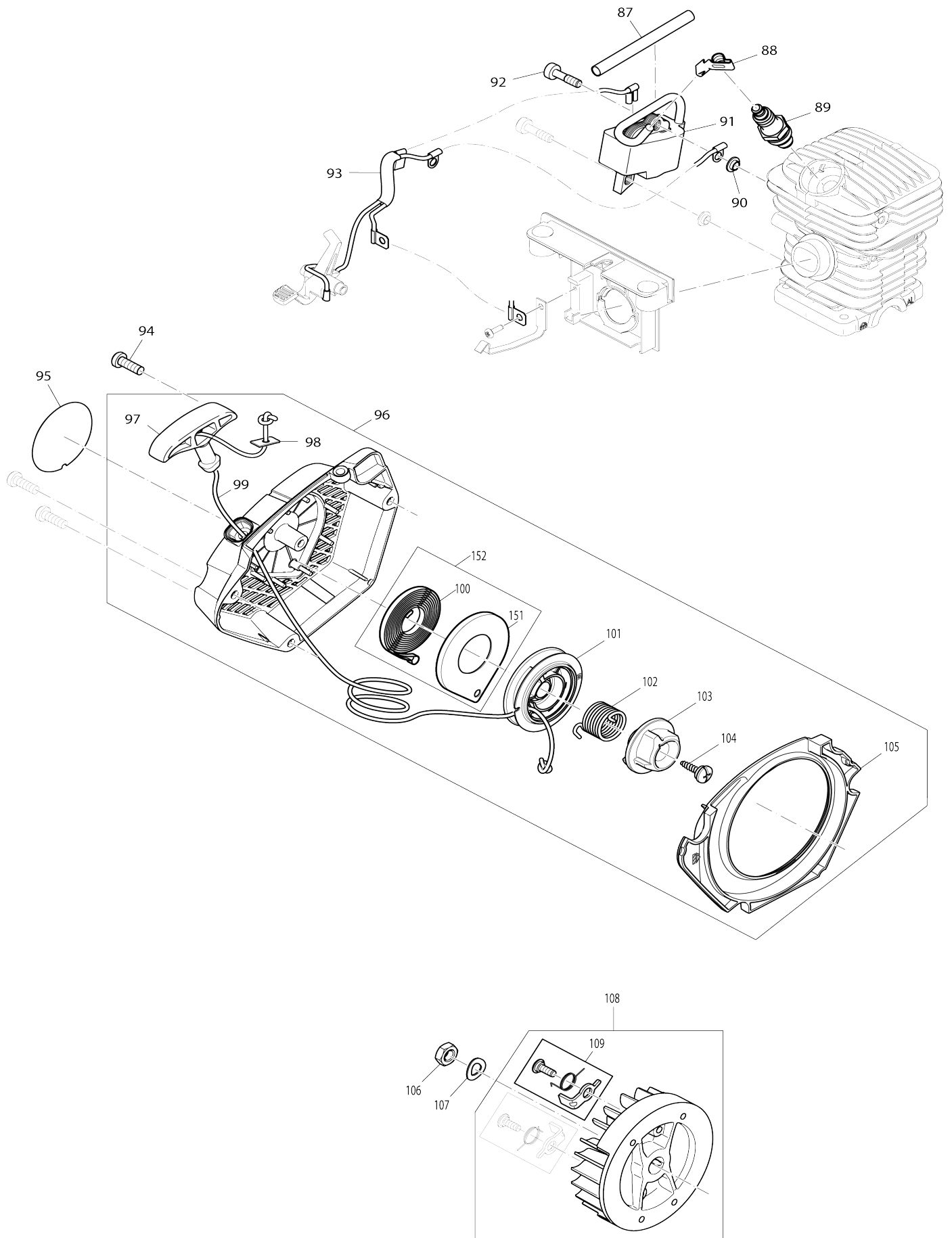
Model No.EA3200S PETROL CHAIN SAW



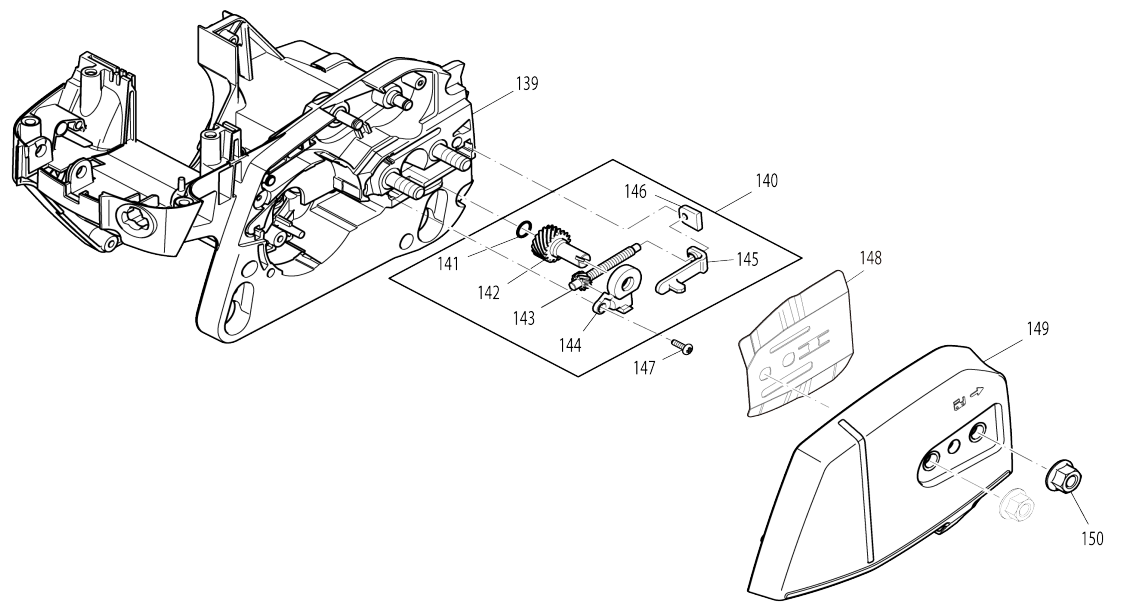
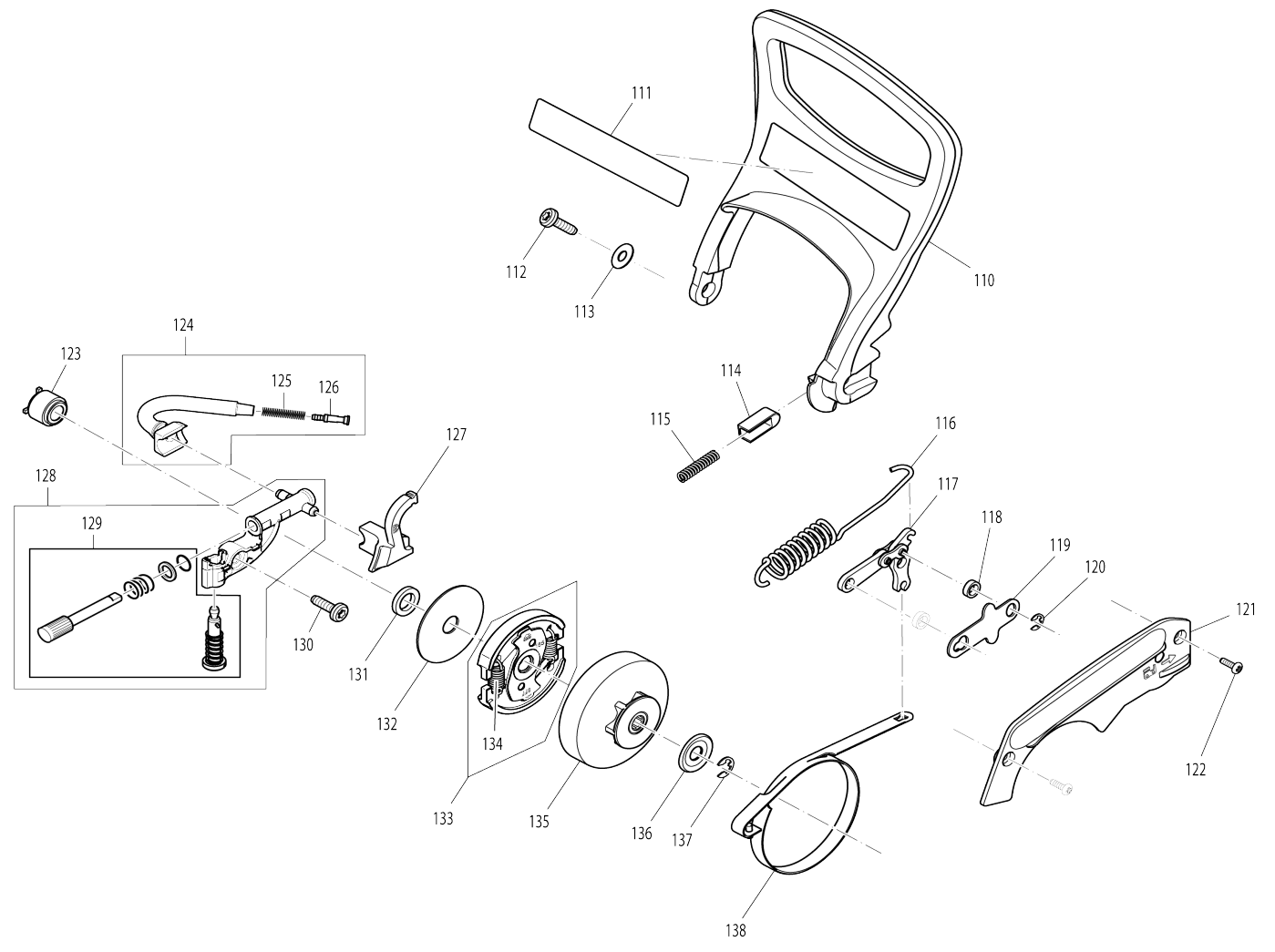
Model No.EA3200S PETROL CHAIN SAW



Model No.EA3200S PETROL CHAIN SAW

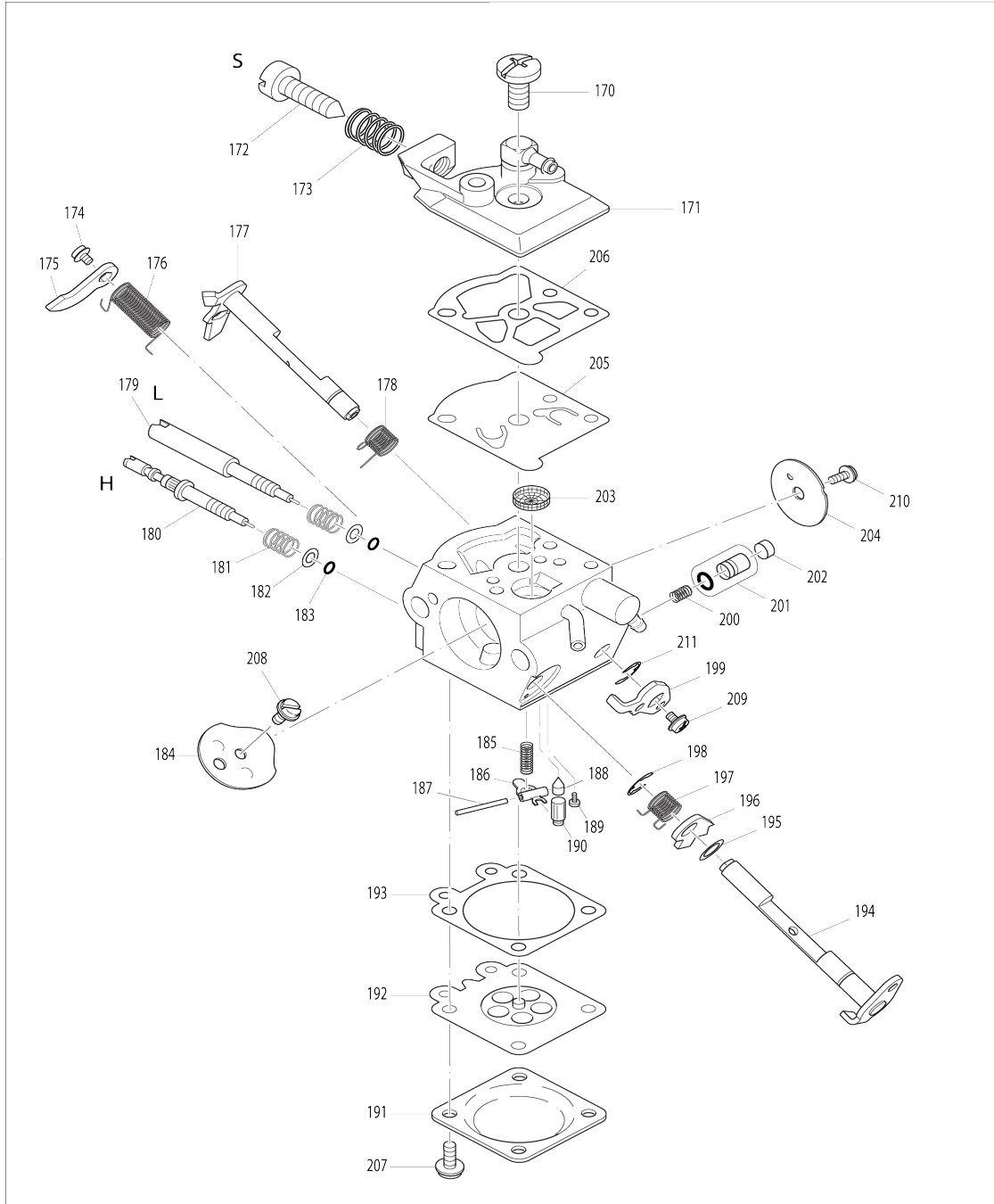


Model No.EA3200S PETROL CHAIN SAW



Model No.EA3200S PETROL CHAIN SAW

41



Model No.EA3200S PETROL CHAIN SAW

Item No.	Parts No.	Description	Interchangeability	Q'ty	New/Old	Note1	Note2
001-1	168823-3	TANK CAP COMPLETE		1			
D10		INC. 2					
002	213080-9	O RING 29.5		1			
003-1	163447-0	FUEL FILTER		1			
004	195758-5	TANK ASSEMBLY A BLUE		1			
D10		INC. 5-13					
005	266651-1	H.L. TAPPING SCREW 5.5X16		1			
006	452021-2	GRIP SHELL		1			
007	452020-4	CATCH LEVER		1			
008	231866-9	TORSION SPRING 10		1			
009	452019-9	THROTTLE LEVER		1			
010	195762-4	AIR VALVE SET		1			
011	452018-1	FUEL NIPPLE		1			
012	213586-7	O RING 11.5		1			
013	424456-7	FUEL LINE		1			
014	869077-2	EA3200S NAME PLATE		1			
017	452036-9	TUBULAR HANDLE		1			
018	346517-2	CUP WASHER 6		1			
019	234189-4	COMPRESSION SPRING 12		1			
020	266605-8	H.L. SOCKET HEAD BOLT M5X16		1			
021	266651-1	H.L. TAPPING SCREW 5.5X16		1			
022	891898-4	MAKITA LOGO LABEL		1			
023	266651-1	H.L. TAPPING SCREW 5.5X16		4			
024	452031-9	AIR FILTER COVER		1			
025	423414-0	AIR FILTER		1			
026	452030-1	INTAKE MANIFOLD		1			
027	266604-0	H.L. SOCKET HEAD BOLT M4X40		2			
028	424173-9	DAMPING PLUG		2			
029	168398-2	PRIMER PUMP		1			
030	422067-2	TUBE 2.5-55		1			
031	422065-6	TUBE 2.5-112		1			
032	422068-0	TUBE 3-70		1			
033	422066-4	TUBE 2.5-72		1			
034	318634-8	FLANGE RING		1			
035	346413-4	BUSH 17		1			
036	452024-6	INTERMEDIATE FLANGE		1			
037	424340-6	INTAKE HOSE		1			
038	233971-8	RING SPRING		1			
039	266651-1	H.L. TAPPING SCREW 5.5X16		1			
040	264044-6	SNAP NUT M5		1			
041-1	168849-5	CARBURETOR		1			
D10		INC. 170,171,174-180,184-189					
D20		INC. 191-210,213-217					
042	266421-8	TAPPING SCREW 3X10		1			
043	346290-4	CONTACT SPRING		1			
044	266651-1	H.L. TAPPING SCREW 5.5X16		1			
045	452023-8	HOOD		1	*		

045-1	452023-8	HOOD	O	1		
046	266607-4	H.L. SOCKET HEAD BOLT M5X20		1		
048	346306-5	COOLING PLATE		1		
049	325939-9	CONNECTING LINK		1		
050	346304-9	GASKET		1		
051	266605-8	H.L. SOCKET HEAD BOLT M5X16		2		
052	168604-5	MUFFLER COMPLETE		1		
D10		INC. 53				
053	346294-6	SPARK ARRESTER SCREEN		1		
054	266606-6	H.L. SOCKET HEAD BOLT M5X40		1		
055	266605-8	H.L. SOCKET HEAD BOLT M5X16		2		
056-1	196384-3	CYLINDER PISTON SET		1		
C10	142136-0	CYLINDER COMPLETE		1		
D10		INC. 57				
057	195760-8	PISTON SET		1		
D10		INC. 58-60				
058	325991-7	PISTON RING 38		1		
059	325992-5	PISTON PIN 8		1		
060	233988-1	RING SPRING 8		1		
061-1	213084-1	OIL SEAL 12		1		
062	211341-1	BALL BEARING 6201		1		
063	212086-4	NEEDLE CAGE 810		1		
064-1	197539-3	CRANK SHAFT SET		1		
D10		INC. 61,62,65,66				
065	211341-1	BALL BEARING 6201		1		
066-1	213084-1	OIL SEAL 12		1		
067	424339-1	CRANK CASE SEALING		1	*	
067-1	424872-3	CRANK CASE SEALING	O	1		
068	318633-0	CRANKCASE UNDERSIDE		1		
069-1	168823-3	TANK CAP COMPLETE		1		
D10		INC. 70				
070	213080-9	O RING 29.5		1		
072	266651-1	H.L. TAPPING SCREW 5.5X16		2		
073	234189-4	COMPRESSION SPRING 12		1		
074	816917-5	INDICATION LABEL		1		
075	452025-4	CHOKE LEVER		1		
076	452022-0	THROTTLE LINKAGE		1		
077	266608-2	H.L.TAPPING SCREW 5X40		4		
078	325946-2	BUSH 6		4		
079	234189-4	COMPRESSION SPRING 12		1		
080	266651-1	H.L. TAPPING SCREW 5.5X16		2		
081	234189-4	COMPRESSION SPRING 12		1		
082	266651-1	H.L. TAPPING SCREW 5.5X16		2		
083	266651-1	H.L. TAPPING SCREW 5.5X16		2		
084	168504-9	VENT VALVE		1		
085	346301-5	SPIKE BAR		1		
086	346385-3	HEAT PROTECTION FOIL		1		
087-1	444042-8	ISOLATING TUBE 6-80		1		
088-1	424522-0	PLUG CAP		1		
089-1	168401-9	SPARK PLUG		1		
090	452670-5	ISOLATING WASHER		2		
091-1	126270-4	IGNITION COIL ASSEMBLY		1	*	

C10	326210-4	TERMINAL SPRING		1	*		
D10		INC. 87,88					
091-2	126270-4	IGNITION COIL ASSEMBLY	O	1			
C10	326210-4	TERMINAL SPRING		1			
D10		INC. 87,88					
092	266631-7	H.L. SOCKET HEAD BOLT M5X20		2			
093	168601-1	CABLE HARNESS		1			
094	266651-1	H.L. TAPPING SCREW 5.5X16		3			
095	891900-3	EA3200S MODEL NO. LABEL		1			
096-1	161328-2	STARTER COMPLETE BLUE		1			
D10		INC. 97-99,101-105,152					
097	453783-5	STARTER GRIP		1			
098	267847-7	SQUARE WASHER 4		1			
099	444038-9	STARTER ROPE		1			
101-1	455919-2	REEL		1			
102	234253-1	TORSION SPRING 20		1			
103	453786-9	CAM PLATE		1			
104	266777-9	TAPPING SCREW 5X12		1			
105	452026-2	AIR GUIDE PLATE		1			
106	264053-5	HEX. NUT M8X1		1			
107	267822-3	SPRING WASHER 8		1			
108	140480-9	FLYWHEEL COMPLETE		1			
D10		INC. 109					
109	195761-6	RATCHET SET		2			
110	452032-7	HAND GUARD		1			
111	810075-9	CAUTION LABEL		1	*		
111-1	817T83-1	CAUTION LABEL	<	1	*		
111-2	818L12-9	CAUTION LABEL	<	1			
112	266627-8	H.L. TAPPING SCREW 4.7X16		1			
113	267066-5	FLAT WASHER 5		1			
114	313212-9	HAND GUARD GUIDE		1			
115	234210-9	COMPRESSION SPRING 3		1			
116	231868-5	TENSION SPRING 10		1			
117	163500-2	LINK PLATE COMPLETE		1			
118	325947-0	BUSH 6		2			
119	346299-6	SPACER SHEET METAL		1			
120	961011-9	STOP RING E-4		1			
121	452033-5	BRAKE COVER		1	*		
121-1	458425-6	BRAKE COVER	S	1			
122	266421-8	TAPPING SCREW 3X10		2			
123	452035-1	PUMP DRIVE		1			
124	168645-1	OIL SUCTION LINE COMPLETE		1			
D10		INC. 125,126					
125	234207-8	COMPRESSION SPRING 6		1			
126	452666-6	NIPPLE		1	*		
126-1	452666-6	NIPPLE	O	1			
127	424342-2	OIL PRESSURE LINE		1			
128-1	161346-0	OIL PUMP COMPLETE		1			
130	266627-8	H.L. TAPPING SCREW 4.7X16		1			
131	267430-0	FLAT WASHER 10		1			
132	267431-8	FLAT WASHER 10		1			

133	168607-9	CLUTCH COMPLETE		1		
D10		INC. 134				
134	231873-2	TENSION SPRING 5		2		
135-2	140A30-6	CLUTCH DRUM ASSEMBLY		1	*	
135-3	140M30-8	CLUTCH DRUM COMPLETE	<	1		
136-1	267833-8	CUP WASHER 8		1		
137	259033-4	RETAINING RING E TYPE 6		1		
138	346298-8	BRAKE BAND		1	*	
138-1	347363-6	BRAKE BAND	S	1		
139	140477-8	ENGINE HOUSING COMPLETE		1	*	
139-1	140A07-1	ENGINE HOUSING COMPLETE BL UE	S	1		
140	195763-2	CHAIN TENSIONER SET		1	*	
D10		INC. 141-146				
140-1	199032-3	CHAIN TENSIONER SET	S	1		
D10		INC. 141-146				
141	213594-8	O RING 7		1		
142	227744-9	HELICAL GEAR 18		1		
143	227743-1	HELICAL GEAR 11		1		
144	452667-4	GEAR COVER PROFESSIONAL		1		
145	346300-7	TENSION SLIDE		1		
146	452668-2	CLAMP SCREW BEDDING		1	*	
147	266421-8	TAPPING SCREW 3X10		1		
148	346518-0	GUIDE PLATE		1		
149	452044-0	SPROCKET GUARD		1		
150	264055-1	COLLARED HEX. NUT M8		2		
152	195955-3	REWIND SPRING SET		1		
170-2	ZJ00000020	SCREW (PUMP COVER)		1		
171-2	ZJ00000004	COVER KIT,PUMP		1		
174-2	ZJ00000023	SCREW		1		
175-2	ZJ00000025	LEVER,CHOKE		1		
176-2	ZJ00000040	SPRING,THROTTLE RETURN		1		
177-2	ZJ00000015	THROTTLE SHAFT ASSY		1		
178-2	ZJ00000034	SPRING,THROTTLE RETURN		1		
179-2	ZJ00000026	SCREW,IDLE MIXTURE		1		
180-2	ZJ00000027	SCREW,MAIN MIXTURE		1		
184-2	ZJ00000024	VALVE,CHOKE		1		
185-2	ZJ00000010	SPRING, METERING LEVER		1		
186-2	ZJ00000006	LEVER		1		
187-2	ZJ00000008	PIN		1		
188-2	ZJ00000007	VALVE, INLET NEEDLE		1		
189-2	ZJ00000009	SCREW (METERING LEVER PIN)		1		
191-2	ZJ00000028	COVER,METERING		1		
192-2	ZJ00000013	DIAPHRAGM ASS'Y,METERING		1		
193-3	ZJ00000011	GASKET,METERING CHAMBER		1		
194-2	ZJ00000012	SHAFT ASSY,CHOKE		1		
195-2	ZJ00000033	WASHER		1		
196-2	ZJ00000031	LEVER,CHOKE		1		
197-2	ZJ00000032	SPRING,CHOKE RETURN		1		
198-2	ZJ00000017	E-RING		1		
199-2	ZJ00000022	LEVER,THROTTLE		1		
200-3	ZJ00000073	SPRING		1		

201-2	ZJ00000005	PLUNGER KIT		1		
202-2	ZJ00000036	PLUG,ACC POCKET		1		
203-2	ZJ00000003	STRAINER		1		
204-2	ZJ00000030	VALVE,THROTTLE		1		
205-2	ZJ00000029	DIAPHRAGM, PUMP		1		
206-2	ZJ00000016	GASKET, PUMP		1		
207-2	ZJ00000014	SCREW (WITH SERRATION)		2		
208-1	ZJ00000001	SCREW		1		
209-2	ZJ00000023	SCREW		1		
210-1	ZJ00000001	SCREW		1		
212	424519-9	HOOD CAP		1		
214-1	ZJ00000018	NOZZLE ASS'Y,CHECK VALVE		1		
215-1	ZJ00000021	COLLAR		1		
216-1	ZJ00000035	RETAINER		2		
217-1	ZJ00000037	STRAINER		1		
A01-1	165246-6	GUIDE BAR 14		1	*	
A01-2	165246-6	GUIDE BAR 14	O	1		
A02	419559-0	CHAIN PROTECTION COVER 330		1		
A03-1	511291752	SAW CHAIN 3/8LP.043" L52 CC D		1	*	
A03-2	196741-5	SAW CHAIN SET	O	1		
A04	782026-1	UNIVERSAL WRENCH 13/16		1		
A05	783012-5	SCREWDRIVER		1		

Please state Parts No. when your order.

Print Date 18/10/2023