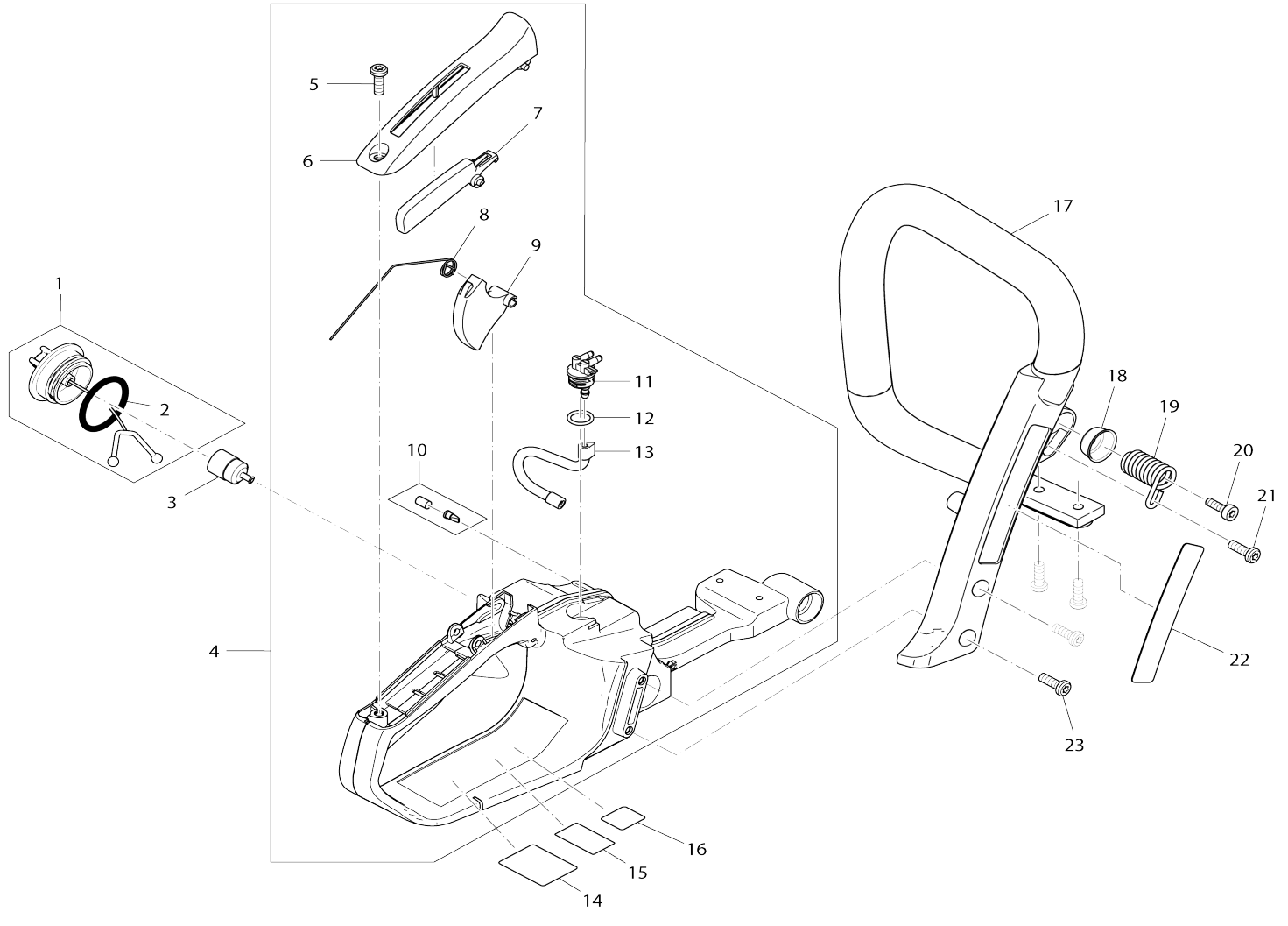
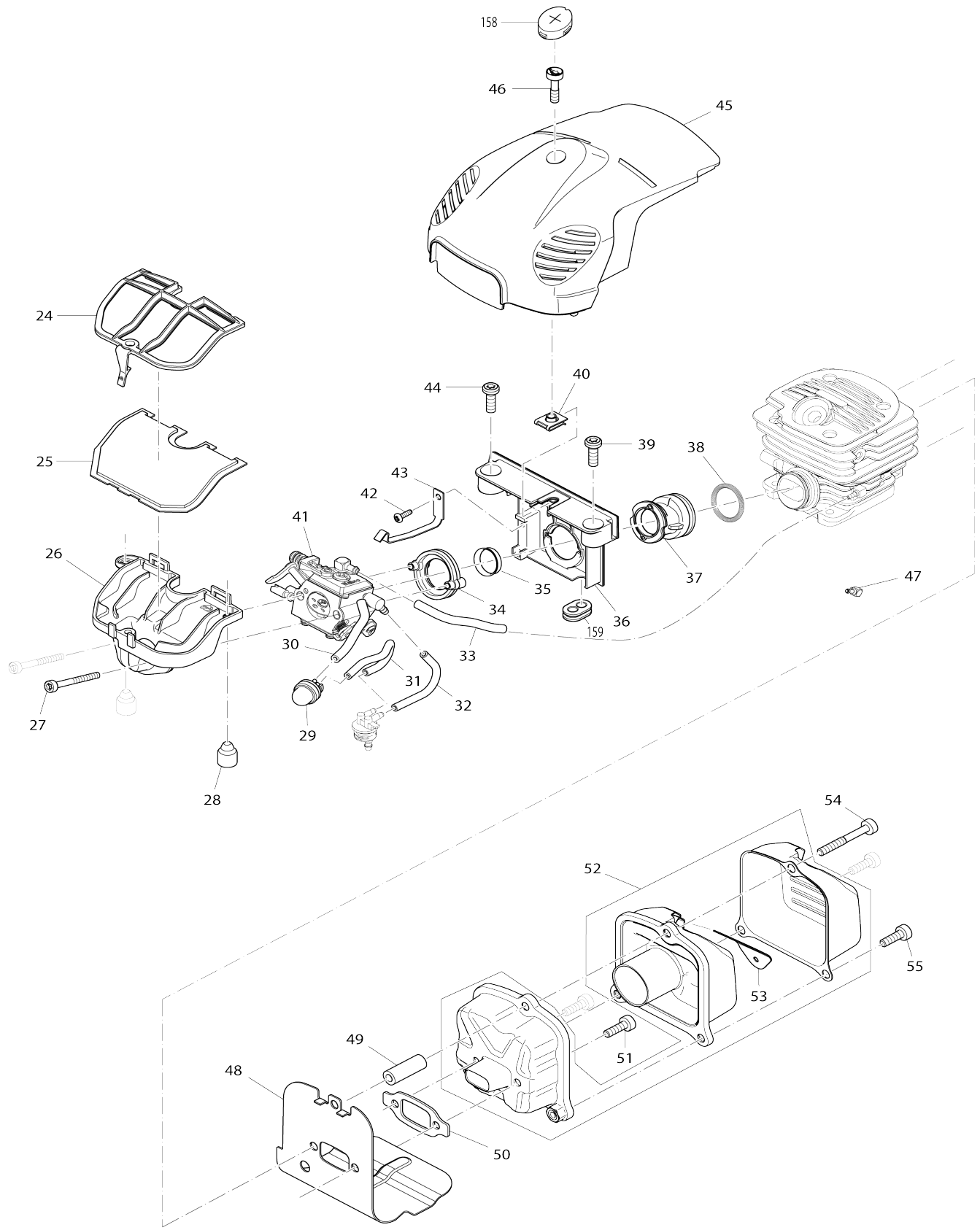


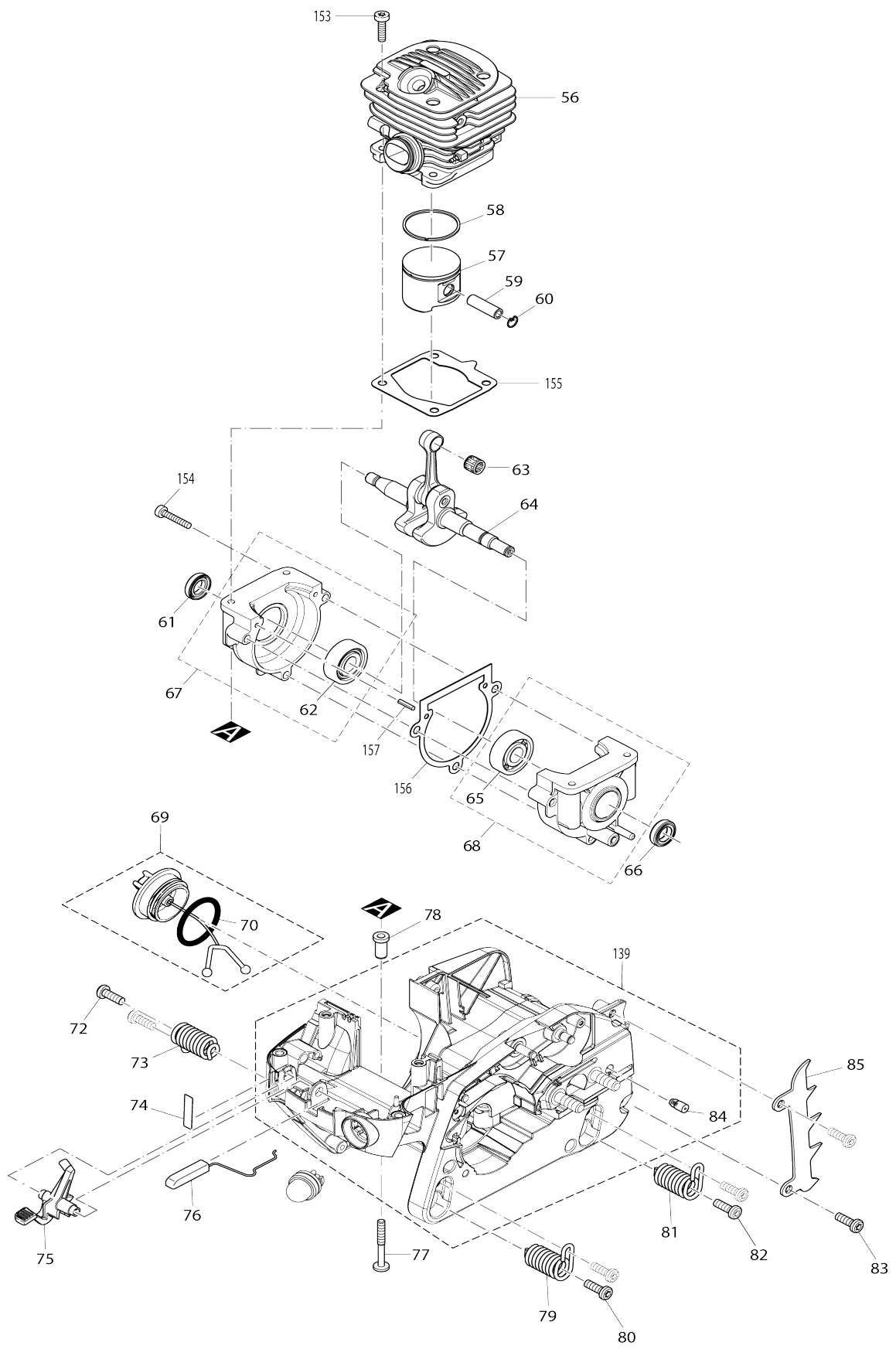
Model No.EA3500S PETROL CHAIN SAW



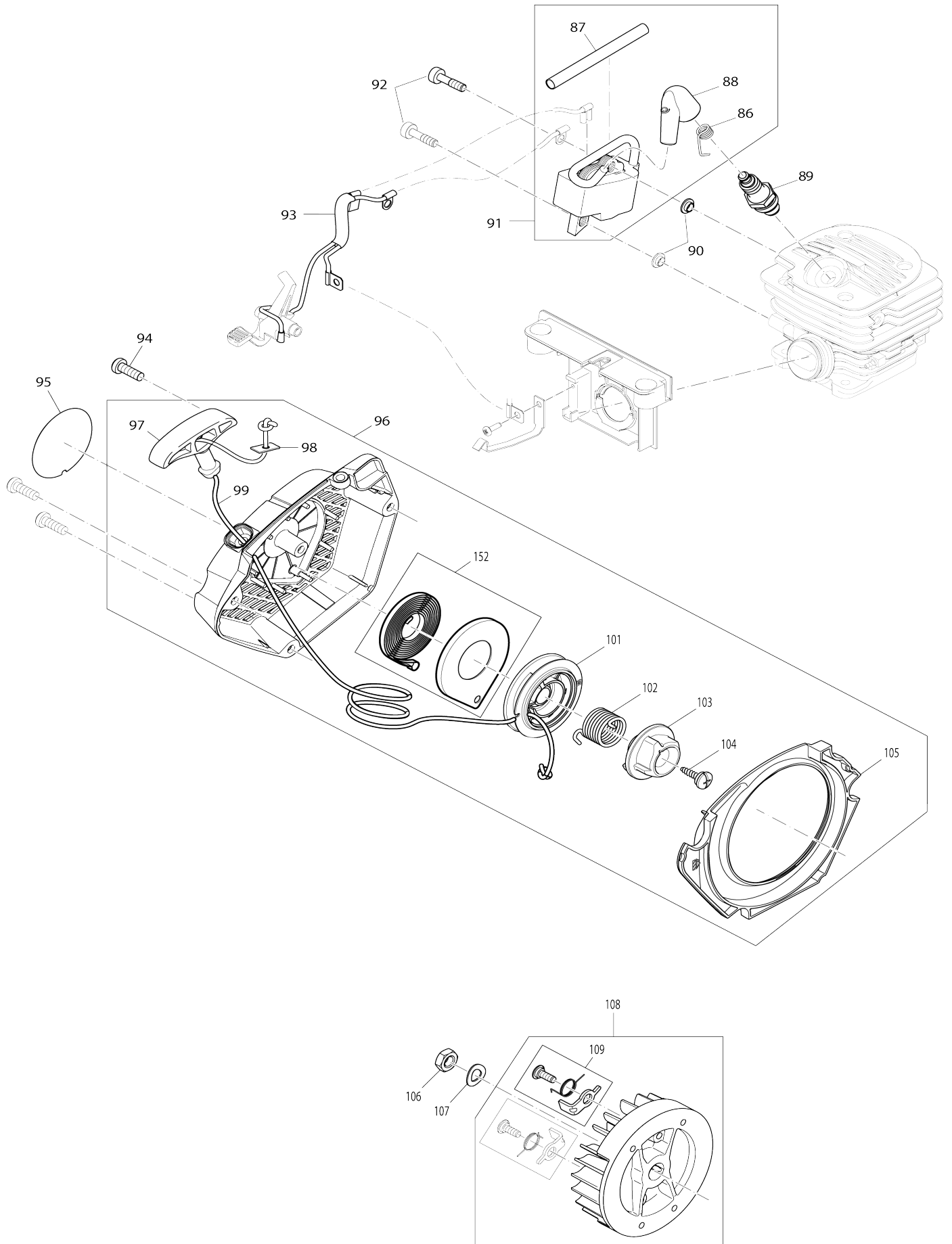
Model No.EA3500S PETROL CHAIN SAW



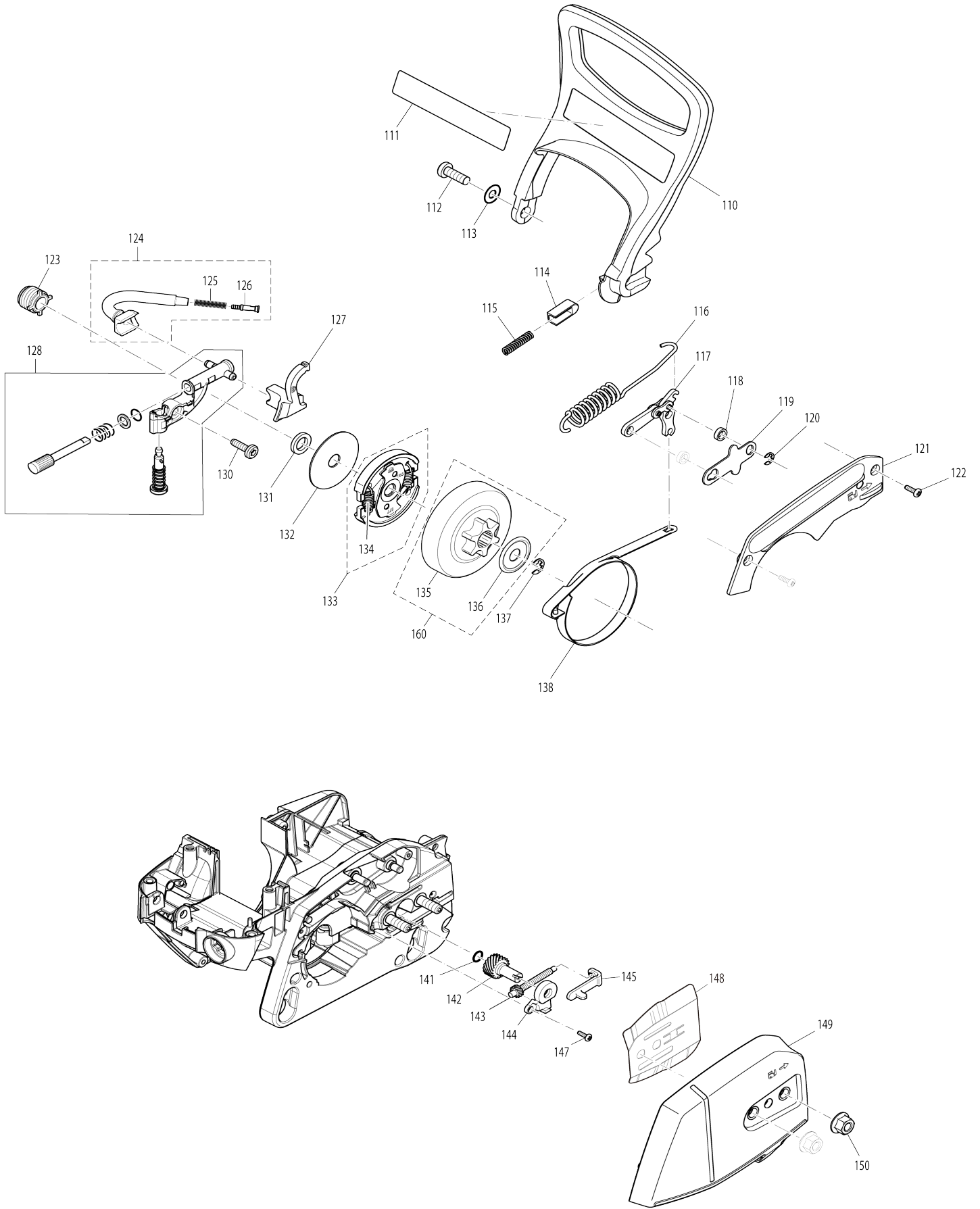
Model No.EA3500S PETROL CHAIN SAW



Model No.EA3500S PETROL CHAIN SAW



Model No.EA3500S PETROL CHAIN SAW



Model No.EA3500S PETROL CHAIN SAW

Item No.	Parts No.	Description	Interchangability	Q'ty	New/Old	Note1	Note2
001	168823-3	TANK CAP COMPLETE		1			
D10		INC. 2					
002	213080-9	O RING 29.5		1			
003	163447-0	FUEL FILTER		1	*		
003-1	163447-0	FUEL FILTER	O	1			
004	195758-5	TANK ASSEMBLY A BLUE		1			
D10		INC. 5-13					
005	266651-1	H.L. TAPPING SCREW 5.5X16		1			
006	452021-2	GRIP SHELL		1			
007	452020-4	CATCH LEVER		1			
008	231866-9	TORSION SPRING 10		1			
009	452019-9	THROTTLE LEVER		1			
010	195762-4	AIR VALVE SET		1			
011	452018-1	FUEL NIPPLE		1			
012	213586-7	O RING 11.5		1			
013	424456-7	FUEL LINE		1			
014	850C72-1	EA3500S NAME PLATE		1			
015	802K43-2	GAS EMISSION APPROVAL LABEL		1	*		
016	802K41-6	SOUND 113DB LABEL		1			
017	452036-9	TUBULAR HANDLE		1			
018	346517-2	CUP WASHER 6		1			
019	234189-4	COMPRESSION SPRING 12		1			
020	266605-8	H.L. SOCKET HEAD BOLT M5X16		1			
021	266651-1	H.L. TAPPING SCREW 5.5X16		1			
022	891898-4	MAKITA LOGO LABEL		1			
023	266651-1	H.L. TAPPING SCREW 5.5X16		4			
024	452031-9	AIR FILTER COVER		1			
025	423414-0	AIR FILTER		1			
026	452030-1	INTAKE MANIFOLD		1			
027	266604-0	H.L. SOCKET HEAD BOLT M4X40		2			
028	424173-9	DAMPING PLUG		2			
029	168398-2	PRIMER PUMP		1			
030	422067-2	TUBE 2.5-55		1			
031	422065-6	TUBE 2.5-112		1			
032	422068-0	TUBE 3-70		1			
033	422066-4	TUBE 2.5-72		1			
034	318634-8	FLANGE RING		1			
035	346413-4	BUSH 17		1			
036	454874-5	INTERMEDIATE FLANGE		1			
037	424617-9	INTAKE HOSE		1			
038	233971-8	RING SPRING		1			
039	266651-1	H.L. TAPPING SCREW 5.5X16		1			
040	264044-6	SNAP NUT M5		1			
041	168829-1	CARBURETOR		1	*		
041-1	168829-1	CARBURETOR	O	1			
C02	ZJ00000077	NOZZLE ASSEMBLY		1			
C04	ZJ00000003	STRAINER		1			

C06	ZJ00000008	PIN		1		
C08	ZJ00000078	SPRING, METERING LEVER		1		
C10	ZJ00000006	LEVER		1		
C12	ZJ00000007	VALVE, INLET NEEDLE		1		
C14	ZJ00000009	SCREW (METERING LEVER PIN)		1		
C16	ZJ00000079	METERING CHAMBER GASKET		1		
C18	ZJ00000013	DIAPHRAGM ASS'Y,METERING		1		
C20	ZJ00000029	DIAPHRAGM, PUMP		1		
C22	ZJ00000016	GASKET, PUMP		1		
C24	ZJ00000004	COVER KIT,PUMP		1		
C26	ZJ00000020	SCREW (PUMP COVER)		1		
C28	ZJ00000026	SCREW,IDLE MIXTURE		1		
C30	ZJ00000027	SCREW,MAIN MIXTURE		1		
C32	ZJ00000035	RETAINER		2		
C34	ZJ00000037	STRAINER		1		
C36	ZJ00000073	SPRING		1		
C38	ZJ00000015	THROTTLE SHAFT ASSY		1		
C40	ZJ00000012	SHAFT ASSY,CHOKE		1		
C42	ZJ00000080	THROTTLE VALVE		1		
C44	ZJ00000001	SCREW		2		
C46	ZJ00000036	PLUG,ACC POCKET		1		
C48	ZJ00000034	SPRING,THROTTLE RETURN		1		
C50	ZJ00000022	LEVER,THROTTLE		1		
C52	ZJ00000023	SCREW		2		
C54	ZJ00000021	COLLAR		1		
C56	ZJ00000028	COVER,METERING		1		
C58	ZJ00000014	SCREW (WITH SERRATION)		2		
C60	ZJ00000033	WASHER		1		
C62	ZJ00000031	LEVER,CHOKE		1		
C64	ZJ00000025	LEVER,CHOKE		1		
C66	ZJ00000040	SPRING,THROTTLE RETURN		1		
C68	ZJ00000017	E-RING		1		
C70	ZJ00000024	VALVE,CHOKE		1		
C72	ZJ00000005	PLUNGER KIT		1		
C74	ZJ00000032	SPRING,CHOKE RETURN		1		
C76	ZJ00000081	REBUILT KIT		1		
C78	ZJ00000082	GASKET&DIAPHRAGM KIT		1		
C80	ZJ00000083	THROTTLE KIT		1	*	
C82	ZJ00000084	CHOKE KIT		1	*	
042	266421-8	TAPPING SCREW 3X10		1		
043	346290-4	CONTACT SPRING		1		
044	266651-1	H.L. TAPPING SCREW 5.5X16		1		
045	454875-3	HOOD		1		
046	266607-4	H.L. SOCKET HEAD BOLT M5X20		1		
047	325938-1	ANGULAR NIPPLE		1	*	
048	346764-5	COOLING PLATE		1		
049	326390-6	CONNECTING LINK		1		
050	346304-9	GASKET		1		
051	266605-8	H.L. SOCKET HEAD BOLT M5X16		2		
052	168830-6	MUFFLER COMPLETE		1		
D10		INC. 53				
053	346823-5	SPARK ARRESTER		1		

054	266480-2	H.L. SOCKET HEAD BOLT M5X55		1			
055	266605-8	H.L. SOCKET HEAD BOLT M5X16		2			
056	319073-5	CYLINDER 38		1	*		
056-1	143323-4	CYLINDER COMPLETE	<	1			
057	319108-2	PISTON 38		1	*		
057-1	197479-5	PISTON SET	<	1			
C10	319108-2	PISTON 38		1			
D10		INC. 58-60					
058	257366-1	PISTON RING 38		1			
059	326395-6	PISTON PIN		1			
060	234323-6	RING SPRING 9		2			
061	213141-5	OIL SEAL 12		1			
062	211494-6	BALL BEARING 6201		1	*		
062-1	211341-1	BALL BEARING 6201	O	1			
063	212093-7	NEEDLE CAGE 912		1			
064	142417-2	CRANKSHAFT COMPLETE		1	*		
064-1	123530-5	CRANKCASE ASSEMBLY	<	1	*		
C10	142417-2	CRANKSHAFT COMPLETE		1	*		
D10		INC. 61,66-68,154,156,157					
064-2	127075-5	CRANKCASE ASSEMBLY	O	1			
C10	142417-2	CRANKSHAFT COMPLETE		1			
D10		INC. 61,66-68,154,156,157					
065	211494-6	BALL BEARING 6201		1	*		
065-1	211341-1	BALL BEARING 6201	O	1			
066	213141-5	OIL SEAL 12		1			
067	126380-7	CRANKCASE MS ASSEMBLY		1	*		
D10		INC. 62					
067-1	144357-0	CRANKCASE MS ASSEMBLY	S	1			
D10		INC. 62					
068	126381-5	CRANKCASE KS ASSEMBLY		1	*		
D10		INC. 65					
068-1	144356-2	CRANKCASE KS ASSEMBLY	S	1			
D10		INC. 65					
069	168823-3	TANK CAP COMPLETE		1			
D10		INC. 70					
070	213080-9	O RING 29.5		1			
072	266651-1	H.L. TAPPING SCREW 5.5X16		2			
073	234189-4	COMPRESSION SPRING 12		1			
074	816917-5	INDICATION LABEL		1			
075	452025-4	CHOKE LEVER		1			
076	452022-0	THROTTLE LINKAGE		1			
077	266608-2	H.L.TAPPING SCREW 5X40		4			
078	326402-5	BUSH 6		4			
079	234189-4	COMPRESSION SPRING 12		1			
080	266651-1	H.L. TAPPING SCREW 5.5X16		2			
081	234189-4	COMPRESSION SPRING 12		1			
082	266651-1	H.L. TAPPING SCREW 5.5X16		2			
083	266651-1	H.L. TAPPING SCREW 5.5X16		2			
084	168504-9	VENT VALVE		1			
085	346301-5	SPIKE BAR		1			
086	326210-4	TERMINAL SPRING		1			

087	444042-8	ISOLATING TUBE 6-80		1		
088	424522-0	PLUG CAP		1		
089	168401-9	SPARK PLUG		1		
090	452670-5	ISOLATING WASHER		2		
091	126270-4	IGNITION COIL ASSEMBLY		1	*	
D10		INC. 86-88				
091-1	126270-4	IGNITION COIL ASSEMBLY	O	1		
D10		INC. 86-88				
092	266631-7	H.L. SOCKET HEAD BOLT M5X20		2		
093	168601-1	CABLE HARNESS		1		
094	266651-1	H.L. TAPPING SCREW 5.5X16		3		
095	802K44-0	EA3500S MODEL NO. LABEL		1		
096	168608-7	STARTER COMPLETE BLUE		1	*	
D10		INC. 97-99,101-105,152				
096-1	161328-2	STARTER COMPLETE BLUE	O	1		
D10		INC. 97-99,101-105,152				
097	453783-5	STARTER GRIP		1		
098	267847-7	SQUARE WASHER 4		1		
099	444038-9	STARTER ROPE		1		
101	453785-1	REEL		1	*	
101-1	455919-2	REEL	X	1		
102	234253-1	TORSION SPRING 20		1		
103	453786-9	CAM PLATE		1		
104	266777-9	TAPPING SCREW 5X12		1		
105	452026-2	AIR GUIDE PLATE		1		
106	264053-5	HEX. NUT M8X1		1		
107	267822-3	SPRING WASHER 8		1		
108	140480-9	FLYWHEEL COMPLETE		1		
D10		INC. 109				
109	195761-6	RATCHET SET		2		
110	452032-7	HAND GUARD		1		
111	810449-4	CAUTION LABEL		1	*	
111-1	818L12-9	CAUTION LABEL	<	1		
112	266651-1	H.L. TAPPING SCREW 5.5X16		1		
113	253715-0	FLAT WASHER 6		1		
114	313212-9	HAND GUARD GUIDE		1		
115	234210-9	COMPRESSION SPRING 3		1		
116	231868-5	TENSION SPRING 10		1		
117	163500-2	LINK PLATE COMPLETE		1		
118	325947-0	BUSH 6		2		
119	346299-6	SPACER SHEET METAL		1		
120	961011-9	STOP RING E-4		1		
121	452033-5	BRAKE COVER		1	*	
121-1	458425-6	BRAKE COVER	S	1		
122	266421-8	TAPPING SCREW 3X10		2		
123	452035-1	PUMP DRIVE		1		
124	168645-1	OIL SUCTION LINE COMPLETE		1		
D10		INC. 125,126				
125	234207-8	COMPRESSION SPRING 6		1		
126	452666-6	NIPPLE		1	*	
126-1	452666-6	NIPPLE	O	1		
127	424342-2	OIL PRESSURE LINE		1		

128	161346-0	OIL PUMP COMPLETE		1		
130	266605-8	H.L. SOCKET HEAD BOLT M5X16		1		
131	267430-0	FLAT WASHER 10		1		
132	267431-8	FLAT WASHER 10		1		
133	168607-9	CLUTCH COMPLETE		1		
D10		INC. 134				
134	231873-2	TENSION SPRING 5		2		
135	140484-1	CLUTCH DRUM ASSEMBLY		1	*	
135-1	140A30-6	CLUTCH DRUM ASSEMBLY	<	1	*	
135-2	140M30-8	CLUTCH DRUM COMPLETE	<	1		
136	267833-8	CUP WASHER 8		1		
137	259033-4	RETAINING RING E TYPE 6		1		
138	346298-8	BRAKE BAND		1	*	
138-1	347363-6	BRAKE BAND	S	1		
139	143549-8	ENGINE HOUSING COMPLETE BLUE		1		
141	213594-8	O RING 7		1		
142	227744-9	HELICAL GEAR 18		1		
143	227743-1	HELICAL GEAR 11		1		
144	452667-4	GEAR COVER PROFESSIONAL		1		
145	346300-7	TENSION SLIDE		1		
147	266421-8	TAPPING SCREW 3X10		1		
148	346518-0	GUIDE PLATE		1		
149	452044-0	SPROCKET GUARD		1		
150	264055-1	COLLARED HEX. NUT M8		2		
152	195955-3	REWIND SPRING SET		1		
153	266960-8	H.L. SOCKET HEAD BOLT M5X20		4		
154	266880-6	H.L. SOCKET HEAD BOLT M5X25		3		
155	346760-3	CYLINDER BASE GASKET		1		
156	346761-1	CRANKCASE GASKET		1		
157	951063-8	SPRING PIN 3-16		2		
158	424618-7	PLUG		1		
159	424631-5	SLEEVE		1		
160	197441-0	CLUTCH DRUM SET		1	*	
D10		INC. 135,136				
160-1	199033-1	CLUTCH DRUM SET	<	1	*	
D10		INC. 135,136				
160-2	191A48-0	CLUTCH DRUM SET	<	1		
D10		INC. 135,136				
A01	165201-8	GUIDE BAR 14		1	*	
A01-1	165201-8	GUIDE BAR 14	O	1		
A02	419559-0	CHAIN PROTECTION COVER 330		1		
A03	196207-5	SAW CHAIN SET		1		
A04	782026-1	UNIVERSAL WRENCH 13/16		1		
A05	783012-5	SCREWDRIVER		1		

Please state Parts No. when your order.

Print Date 18/10/2023