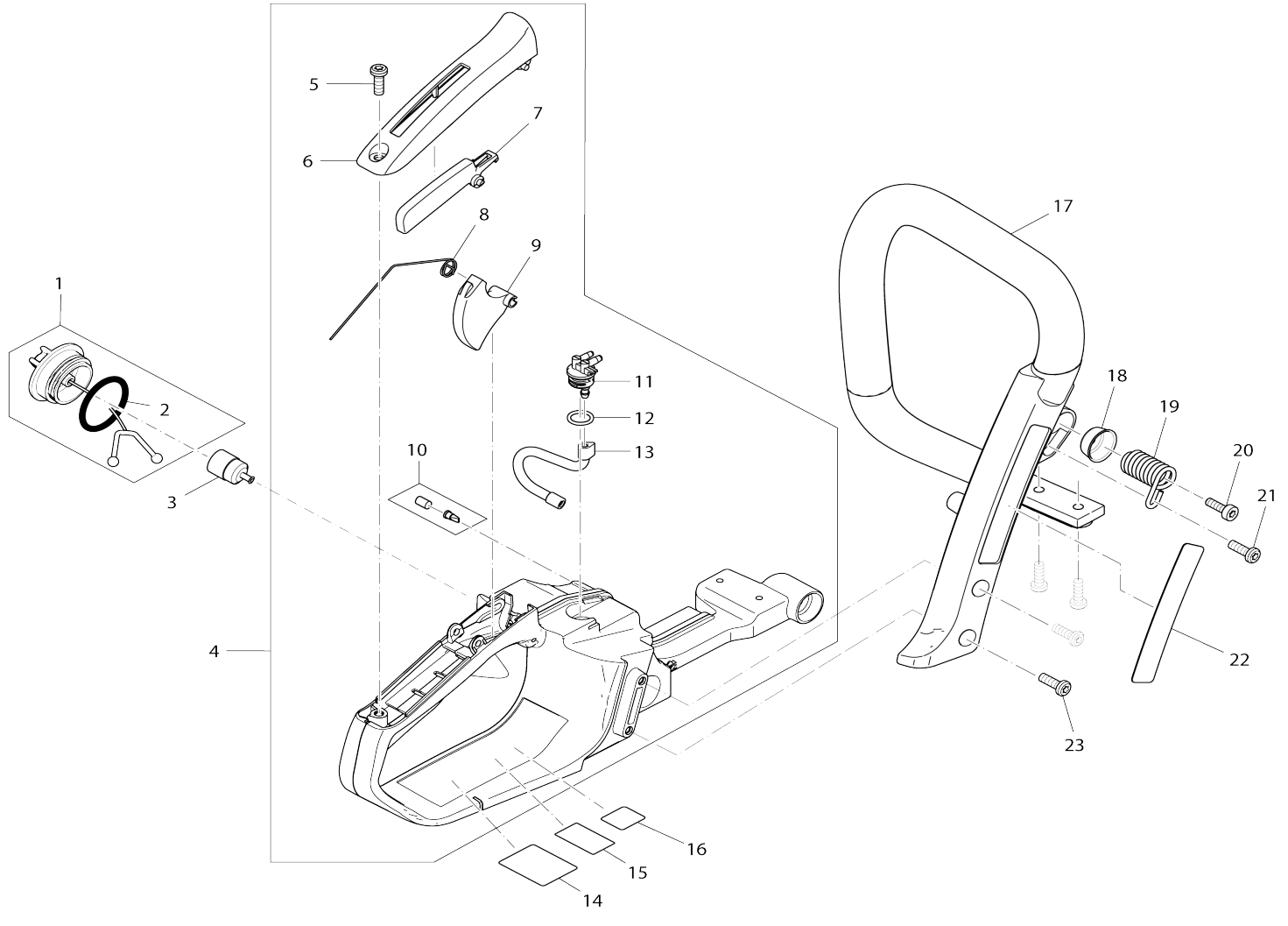
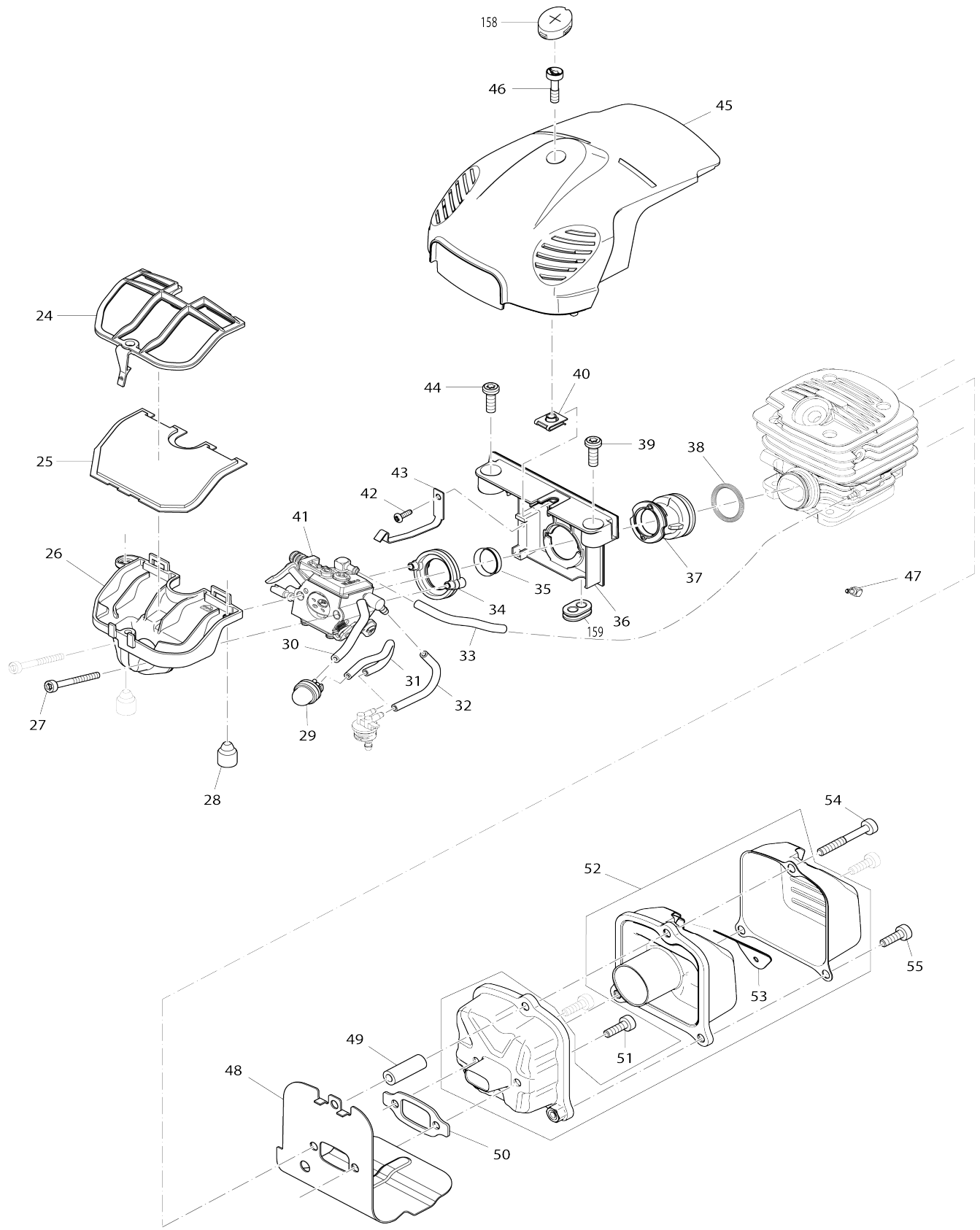


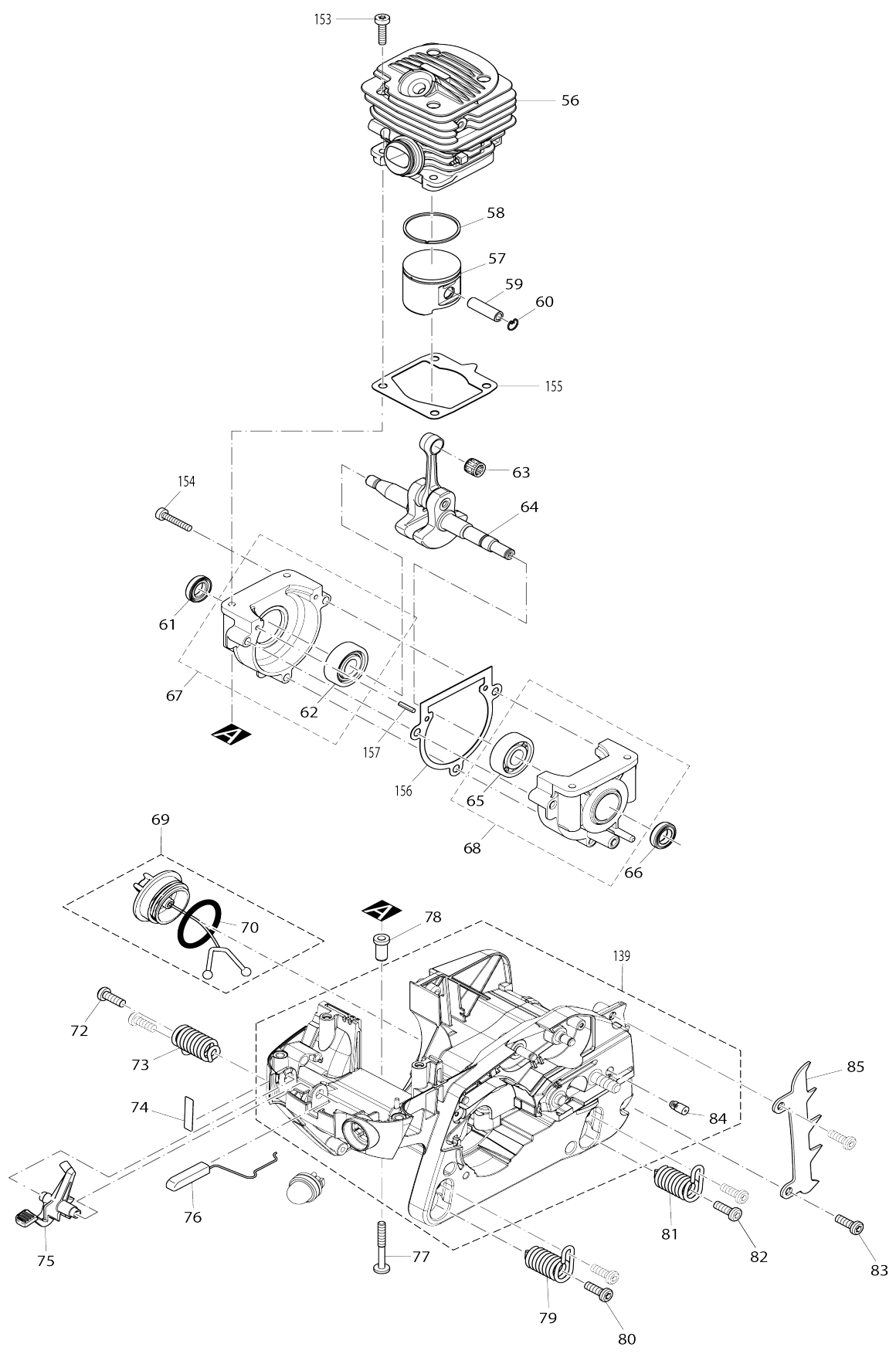
# Model No.EA3501S PETROL CHAIN SAW



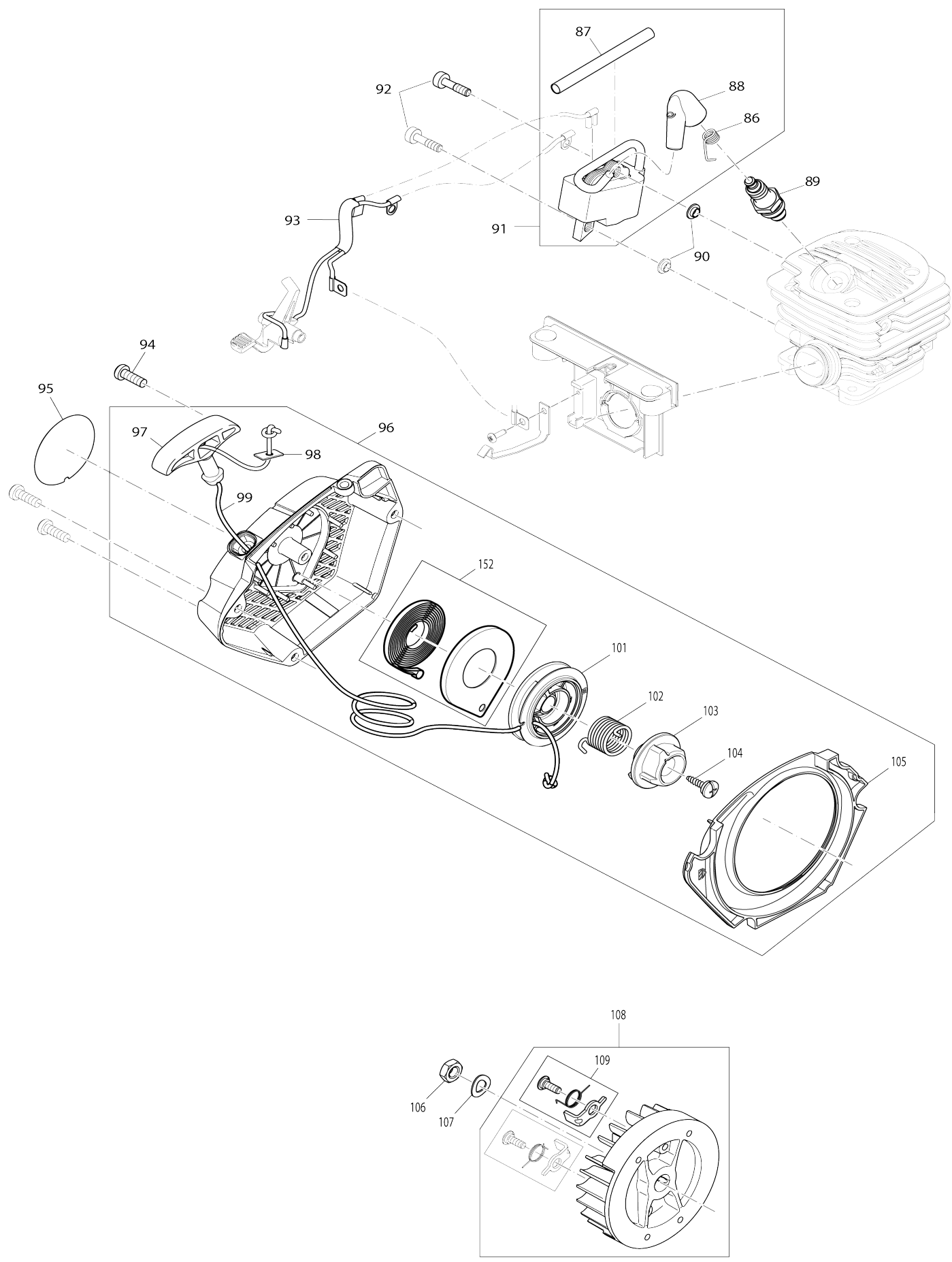
# Model No.EA3501S PETROL CHAIN SAW



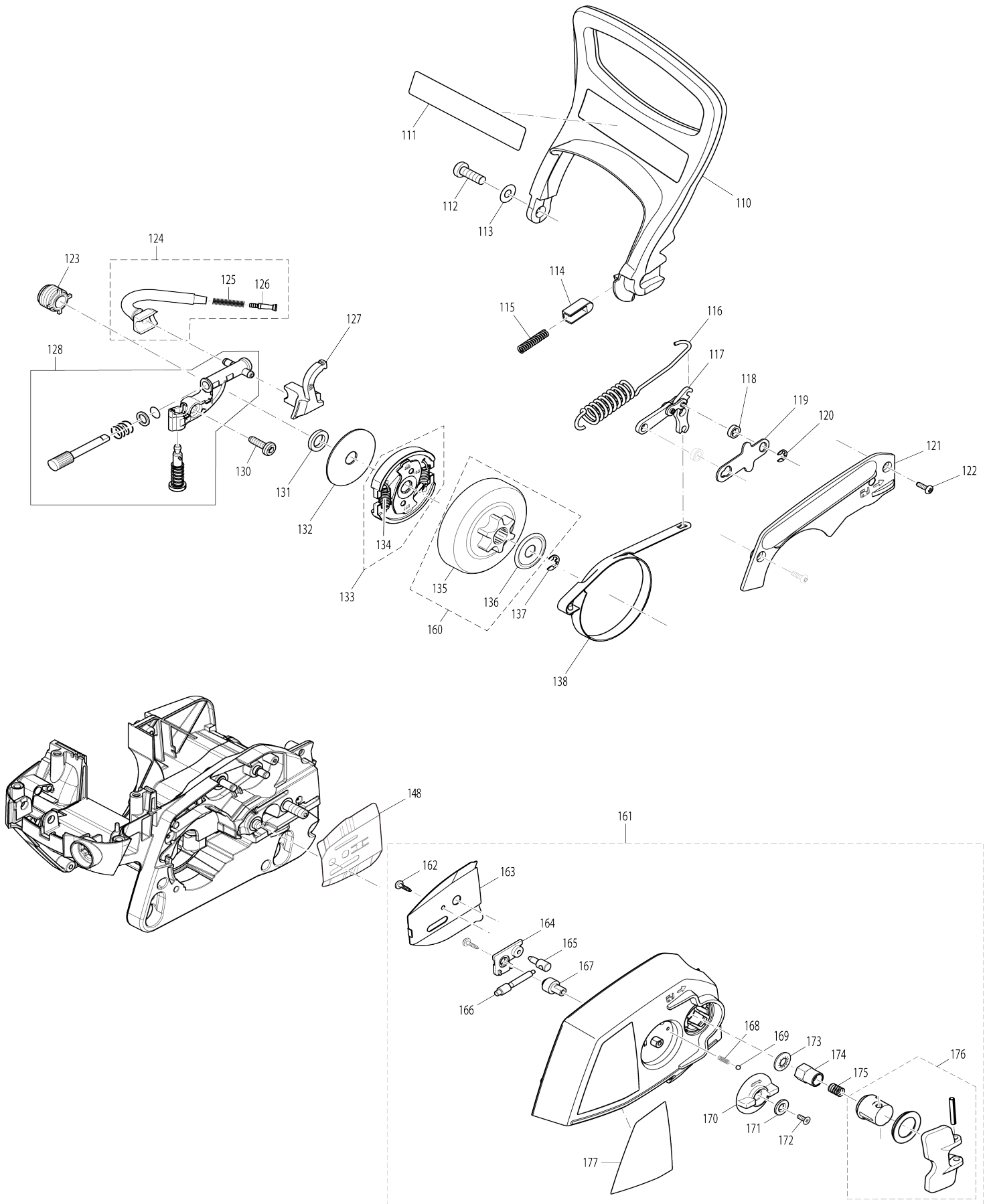
# Model No.EA3501S PETROL CHAIN SAW



# Model No.EA3501S PETROL CHAIN SAW



# Model No.EA3501S PETROL CHAIN SAW



Model No.EA3501S PETROL CHAIN SAW

Item No.	Parts No.	Description	Interchangability	Q'ty	New/Old	Note1	Note2
001	168823-3	TANK CAP COMPLETE		1			
D10		INC. 2					
002	213080-9	O RING 29.5		1			
003	163447-0	FUEL FILTER		1	*		
003-1	163447-0	FUEL FILTER	O	1			
004	195758-5	TANK ASSEMBLY A BLUE		1			
D10		INC. 5-13					
005	266651-1	H.L. TAPPING SCREW 5.5X16		1			
006	452021-2	GRIP SHELL		1			
007	452020-4	CATCH LEVER		1			
008	231866-9	TORSION SPRING 10		1			
009	452019-9	THROTTLE LEVER		1			
010	195762-4	AIR VALVE SET		1			
011	452018-1	FUEL NIPPLE		1			
012	213586-7	O RING 11.5		1			
013	424456-7	FUEL LINE		1			
014	850C76-3	EA3501S NAME PLATE		1			
015	802K43-2	GAS EMISSION APPROVAL LABEL		1	*		
016	802K41-6	SOUND 113DB LABEL		1			
017	452036-9	TUBULAR HANDLE		1			
018	346517-2	CUP WASHER 6		1			
019	234189-4	COMPRESSION SPRING 12		1			
020	266605-8	H.L. SOCKET HEAD BOLT M5X16		1			
021	266651-1	H.L. TAPPING SCREW 5.5X16		1			
022	891898-4	MAKITA LOGO LABEL		1			
023	266651-1	H.L. TAPPING SCREW 5.5X16		4			
024	452031-9	AIR FILTER COVER		1			
025	423414-0	AIR FILTER		1			
026	452030-1	INTAKE MANIFOLD		1			
027	266604-0	H.L. SOCKET HEAD BOLT M4X40		2			
028	424173-9	DAMPING PLUG		2			
029	168398-2	PRIMER PUMP		1			
030	422067-2	TUBE 2.5-55		1			
031	422065-6	TUBE 2.5-112		1			
032	422068-0	TUBE 3-70		1			
033	422066-4	TUBE 2.5-72		1			
034	318634-8	FLANGE RING		1			
035	346413-4	BUSH 17		1			
036	454874-5	INTERMEDIATE FLANGE		1			
037	424617-9	INTAKE HOSE		1			
038	233971-8	RING SPRING		1			
039	266651-1	H.L. TAPPING SCREW 5.5X16		1			
040	264044-6	SNAP NUT M5		1			
041	168829-1	CARBURETOR		1	*		
041-1	168829-1	CARBURETOR	O	1			
C02	ZJ00000077	NOZZLE ASSEMBLY		1			
C04	ZJ00000003	STRAINER		1			

C06	ZJ00000008	PIN		1		
C08	ZJ00000078	SPRING, METERING LEVER		1		
C10	ZJ00000006	LEVER		1		
C12	ZJ00000007	VALVE, INLET NEEDLE		1		
C14	ZJ00000009	SCREW (METERING LEVER PIN)		1		
C16	ZJ00000079	METERING CHAMBER GASKET		1		
C18	ZJ00000013	DIAPHRAGM ASS'Y,METERING		1		
C20	ZJ00000029	DIAPHRAGM, PUMP		1		
C22	ZJ00000016	GASKET, PUMP		1		
C24	ZJ00000004	COVER KIT,PUMP		1		
C26	ZJ00000020	SCREW (PUMP COVER)		1		
C28	ZJ00000026	SCREW,IDLE MIXTURE		1		
C30	ZJ00000027	SCREW,MAIN MIXTURE		1		
C32	ZJ00000035	RETAINER		2		
C34	ZJ00000037	STRAINER		1		
C36	ZJ00000073	SPRING		1		
C38	ZJ00000015	THROTTLE SHAFT ASSY		1		
C40	ZJ00000012	SHAFT ASSY,CHOKE		1		
C42	ZJ00000080	THROTTLE VALVE		1		
C44	ZJ00000001	SCREW		2		
C46	ZJ00000036	PLUG,ACC POCKET		1		
C48	ZJ00000034	SPRING,THROTTLE RETURN		1		
C50	ZJ00000022	LEVER,THROTTLE		1		
C52	ZJ00000023	SCREW		2		
C54	ZJ00000021	COLLAR		1		
C56	ZJ00000028	COVER,METERING		1		
C58	ZJ00000014	SCREW (WITH SERRATION)		2		
C60	ZJ00000033	WASHER		1		
C62	ZJ00000031	LEVER,CHOKE		1		
C64	ZJ00000025	LEVER,CHOKE		1		
C66	ZJ00000040	SPRING,THROTTLE RETURN		1		
C68	ZJ00000017	E-RING		1		
C70	ZJ00000024	VALVE,CHOKE		1		
C72	ZJ00000005	PLUNGER KIT		1		
C74	ZJ00000032	SPRING,CHOKE RETURN		1		
C76	ZJ00000081	REBUILT KIT		1		
C78	ZJ00000082	GASKET&DIAPHRAGM KIT		1		
C80	ZJ00000083	THROTTLE KIT		1	*	
C82	ZJ00000084	CHOKE KIT		1	*	
042	266421-8	TAPPING SCREW 3X10		1		
043	346290-4	CONTACT SPRING		1		
044	266651-1	H.L. TAPPING SCREW 5.5X16		1		
045	454875-3	HOOD		1		
046	266607-4	H.L. SOCKET HEAD BOLT M5X20		1		
047	325938-1	ANGULAR NIPPLE		1	*	
048	346764-5	COOLING PLATE		1		
049	326390-6	CONNECTING LINK		1		
050	346304-9	GASKET		1		
051	266605-8	H.L. SOCKET HEAD BOLT M5X16		2		
052	168830-6	MUFFLER COMPLETE		1		
D10		INC. 53				
053	346823-5	SPARK ARRESTER		1		

054	266480-2	H.L. SOCKET HEAD BOLT M5X55		1			
055	266605-8	H.L. SOCKET HEAD BOLT M5X16		2			
056	319073-5	CYLINDER 38		1	*		
056-1	143323-4	CYLINDER COMPLETE	<	1			
057	319108-2	PISTON 38		1	*		
057-1	197479-5	PISTON SET	<	1			
C10	319108-2	PISTON 38		1			
D10		INC. 58-60					
058	257366-1	PISTON RING 38		1			
059	326395-6	PISTON PIN		1			
060	234323-6	RING SPRING 9		2			
061	213141-5	OIL SEAL 12		1			
062	211494-6	BALL BEARING 6201		1	*		
062-1	211341-1	BALL BEARING 6201	O	1			
063	212093-7	NEEDLE CAGE 912		1			
064	142417-2	CRANKSHAFT COMPLETE		1	*		
064-1	123530-5	CRANKCASE ASSEMBLY	<	1	*		
C10	142417-2	CRANKSHAFT COMPLETE		1	*		
D10		INC. 61,66-68,154,156,157					
064-2	127075-5	CRANKCASE ASSEMBLY	O	1			
C10	142417-2	CRANKSHAFT COMPLETE		1			
D10		INC. 61,66-68,154,156,157					
065	211494-6	BALL BEARING 6201		1	*		
065-1	211341-1	BALL BEARING 6201	O	1			
066	213141-5	OIL SEAL 12		1			
067	126380-7	CRANKCASE MS ASSEMBLY		1	*		
D10		INC. 62					
067-1	144357-0	CRANKCASE MS ASSEMBLY	S	1			
D10		INC. 62					
068	126381-5	CRANKCASE KS ASSEMBLY		1	*		
D10		INC. 65					
068-1	144356-2	CRANKCASE KS ASSEMBLY	S	1			
D10		INC. 65					
069	168823-3	TANK CAP COMPLETE		1			
D10		INC. 70					
070	213080-9	O RING 29.5		1			
072	266651-1	H.L. TAPPING SCREW 5.5X16		2			
073	234189-4	COMPRESSION SPRING 12		1			
074	816917-5	INDICATION LABEL		1			
075	452025-4	CHOKE LEVER		1			
076	452022-0	THROTTLE LINKAGE		1			
077	266608-2	H.L.TAPPING SCREW 5X40		4			
078	326402-5	BUSH 6		4			
079	234189-4	COMPRESSION SPRING 12		1			
080	266651-1	H.L. TAPPING SCREW 5.5X16		2			
081	234189-4	COMPRESSION SPRING 12		1			
082	266651-1	H.L. TAPPING SCREW 5.5X16		2			
083	266651-1	H.L. TAPPING SCREW 5.5X16		2			
084	168504-9	VENT VALVE		1			
085	346301-5	SPIKE BAR		1			
086	326210-4	TERMINAL SPRING		1			



087	444042-8	ISOLATING TUBE 6-80		1		
088	424522-0	PLUG CAP		1		
089	168401-9	SPARK PLUG		1		
090	452670-5	ISOLATING WASHER		2		
091	126270-4	IGNITION COIL ASSEMBLY		1	*	
D10		INC. 86-88				
091-1	126270-4	IGNITION COIL ASSEMBLY	O	1		
D10		INC. 86-88				
092	266631-7	H.L. SOCKET HEAD BOLT M5X20		2		
093	168601-1	CABLE HARNESS		1		
094	266651-1	H.L. TAPPING SCREW 5.5X16		3		
095	804V48-4	EA3501S MODEL NO. LABEL		1		
096	168608-7	STARTER COMPLETE BLUE		1	*	
D10		INC. 97-99,101-105,152				
096-1	161328-2	STARTER COMPLETE BLUE	O	1		
D10		INC. 97-99,101-105,152				
097	453783-5	STARTER GRIP		1		
098	267847-7	SQUARE WASHER 4		1		
099	444038-9	STARTER ROPE		1		
101	453785-1	REEL		1	*	
101-1	455919-2	REEL	X	1		
102	234253-1	TORSION SPRING 20		1		
103	453786-9	CAM PLATE		1		
104	266777-9	TAPPING SCREW 5X12		1		
105	452026-2	AIR GUIDE PLATE		1		
106	264053-5	HEX. NUT M8X1		1		
107	267822-3	SPRING WASHER 8		1		
108	140480-9	FLYWHEEL COMPLETE		1		
D10		INC. 109				
109	195761-6	RATCHET SET		2		
110	452032-7	HAND GUARD		1		
111	810449-4	CAUTION LABEL		1	*	
111-1	818L12-9	CAUTION LABEL	<	1		
112	266651-1	H.L. TAPPING SCREW 5.5X16		1		
113	253715-0	FLAT WASHER 6		1		
114	313212-9	HAND GUARD GUIDE		1		
115	234210-9	COMPRESSION SPRING 3		1		
116	231868-5	TENSION SPRING 10		1		
117	163500-2	LINK PLATE COMPLETE		1		
118	325947-0	BUSH 6		2		
119	346299-6	SPACER SHEET METAL		1		
120	961011-9	STOP RING E-4		1		
121	452033-5	BRAKE COVER		1	*	
121-1	458425-6	BRAKE COVER	S	1		
122	266421-8	TAPPING SCREW 3X10		2		
123	452035-1	PUMP DRIVE		1		
124	168645-1	OIL SUCTION LINE COMPLETE		1		
D10		INC. 125,126				
125	234207-8	COMPRESSION SPRING 6		1		
126	452666-6	NIPPLE		1	*	
126-1	452666-6	NIPPLE	O	1		
127	424342-2	OIL PRESSURE LINE		1		

128	161346-0	OIL PUMP COMPLETE		1		
130	266605-8	H.L. SOCKET HEAD BOLT M5X16		1		
131	267430-0	FLAT WASHER 10		1		
132	267431-8	FLAT WASHER 10		1		
133	168607-9	CLUTCH COMPLETE		1		
D10		INC. 134				
134	231873-2	TENSION SPRING 5		2		
135	140484-1	CLUTCH DRUM ASSEMBLY		1	*	
135-1	140A30-6	CLUTCH DRUM ASSEMBLY	<	1	*	
135-2	140M30-8	CLUTCH DRUM COMPLETE	<	1		
136	267833-8	CUP WASHER 8		1		
137	259033-4	RETAINING RING E TYPE 6		1		
138	346298-8	BRAKE BAND		1	*	
138-1	347363-6	BRAKE BAND	S	1		
139	143551-1	ENGINE HOUSING TLC COMP. BLUE		1		
148	346518-0	GUIDE PLATE		1		
152	195955-3	REWIND SPRING SET		1		
153	266960-8	H.L. SOCKET HEAD BOLT M5X20		4		
154	266880-6	H.L. SOCKET HEAD BOLT M5X25		3		
155	346760-3	CYLINDER BASE GASKET		1		
156	346761-1	CRANKCASE GASKET		1		
157	951063-8	SPRING PIN 3-16		2		
158	424618-7	PLUG		1		
159	424631-5	SLEEVE		1		
160	197441-0	CLUTCH DRUM SET		1	*	
D10		INC. 135,136				
160-1	199033-1	CLUTCH DRUM SET	<	1	*	
D10		INC. 135,136				
160-2	191A48-0	CLUTCH DRUM SET	<	1		
D10		INC. 135,136				
161	142783-7	SPROCKET GUARD TLC COMP. BLUE		1		
D10		INC. 162-177				
162	266007-8	TAPPING SCREW BIND PT 3X10		2		
163	346309-9	GUIDE PLATE		1	*	
163-1	346309-9	GUIDE PLATE	<	1		
164	417403-5	COVER		1		
165	324068-5	ADJUST PIN		1		
166	226534-7	HELICAL GEAR 8		1		
167	226681-4	HELICAL GEAR 17		1		
168	233033-2	COMPRESSION SPRING 4		1		
169	216008-6	STEEL BALL 4		1		
170	419233-0	DIAL 40		1		
171	253874-0	FLAT WASHER 4		1		
172	915106-0	BINDING HEAD SCREW M4X8		1		
173	267858-2	LOCK WASHER 8		1		
174	264099-1	HEX.NUT M8-13		1		
175	231025-5	COMPRESSION SPRING 8		1		
176	195764-0	WING GRIP SET		1	*	
176-1	195764-0	WING GRIP SET	O	1		
177	892502-8	INDICATION LABEL		1		

A01	165202-6	GUIDE BAR 16		1	*		
A01-1	165202-6	GUIDE BAR 16	O	1			
A02	419560-5	CHAIN PROTECTION COVER 430		1			
A03	196208-3	SAW CHAIN SET		1			
A04	782026-1	UNIVERSAL WRENCH 13/16		1			
A05	783012-5	SCREWDRIVER		1			
F04	196206-7	SAW CHAIN SET		1			

Please state Parts No. when your order.

Print Date 18/10/2023