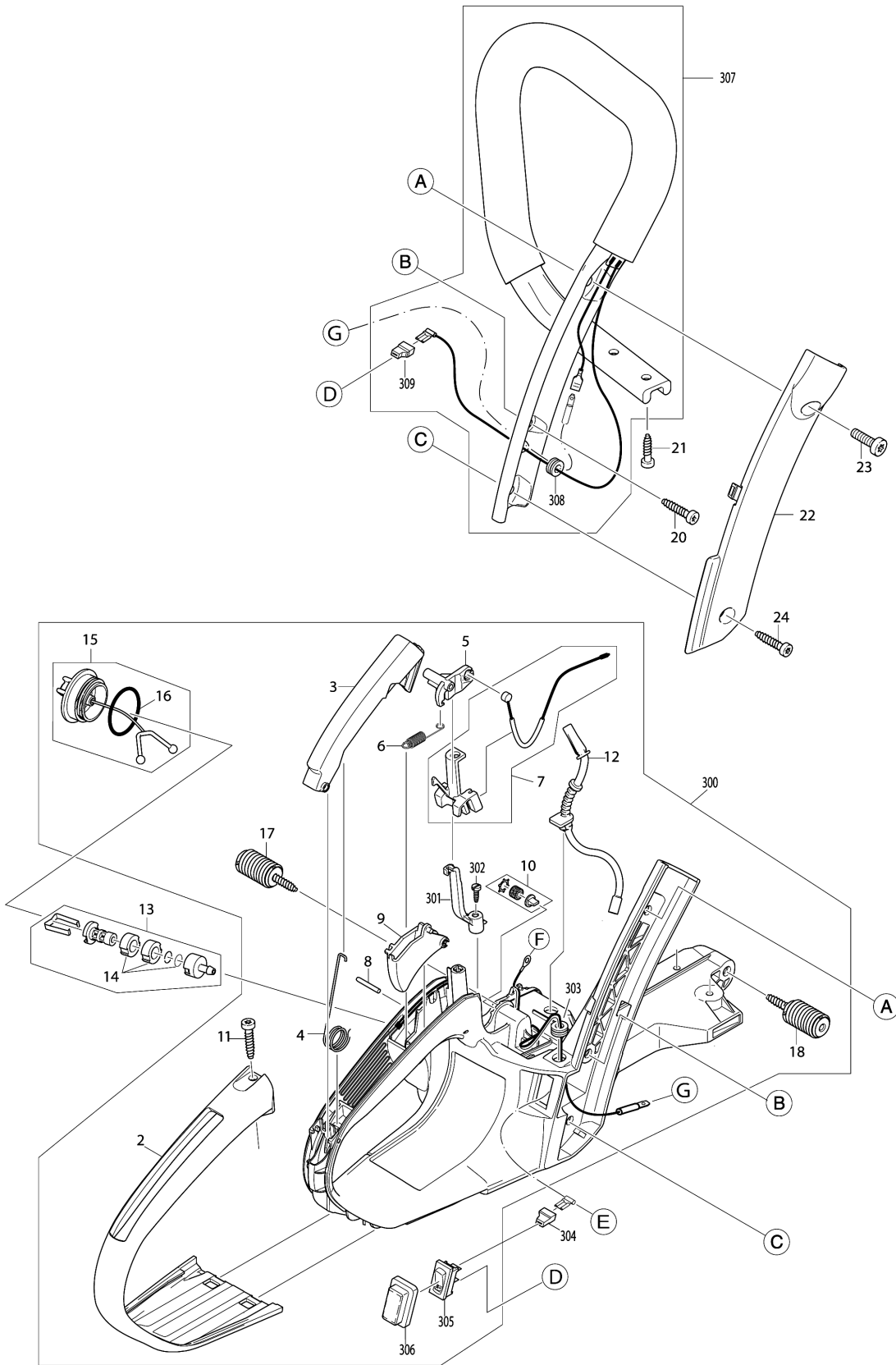
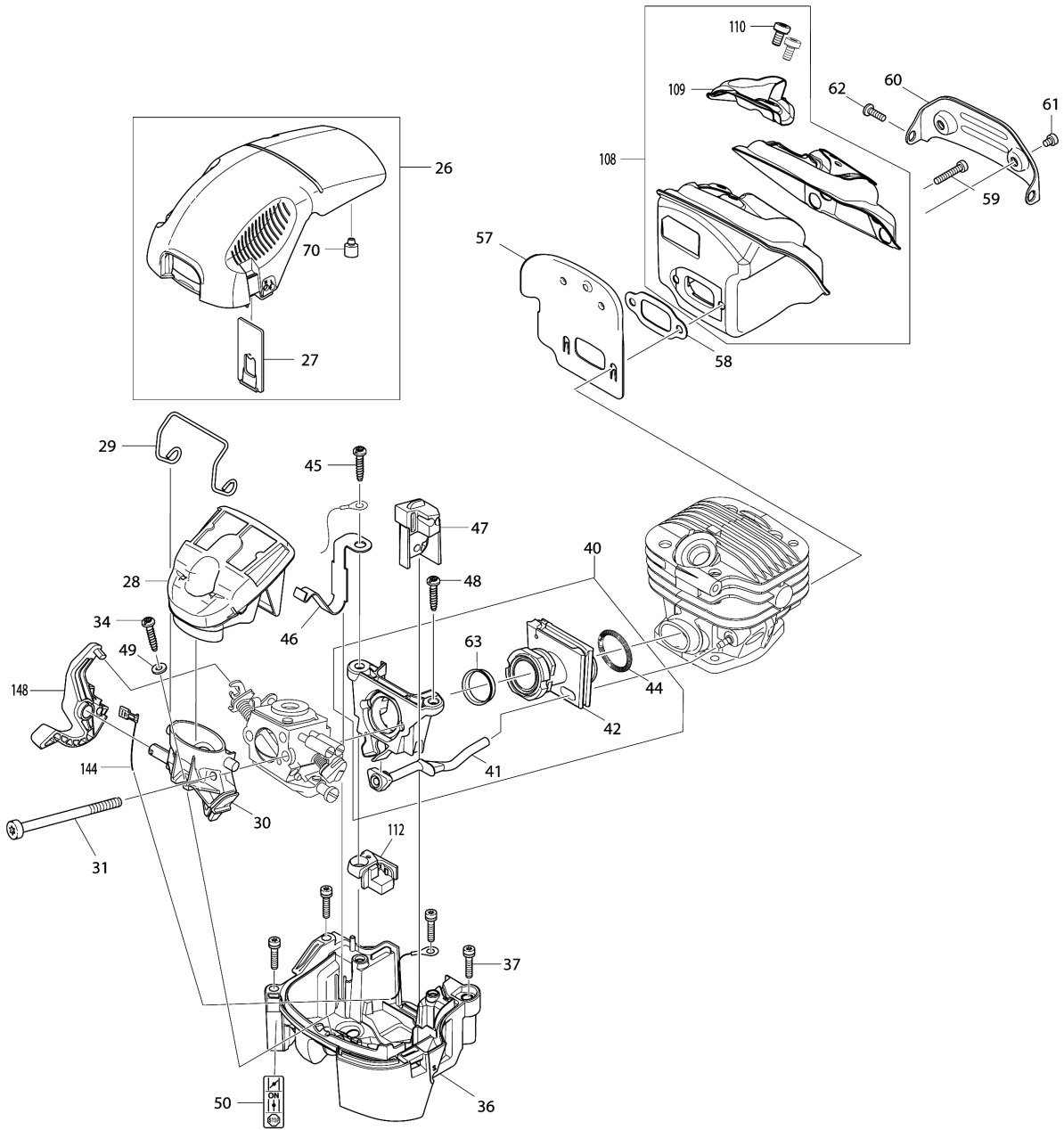


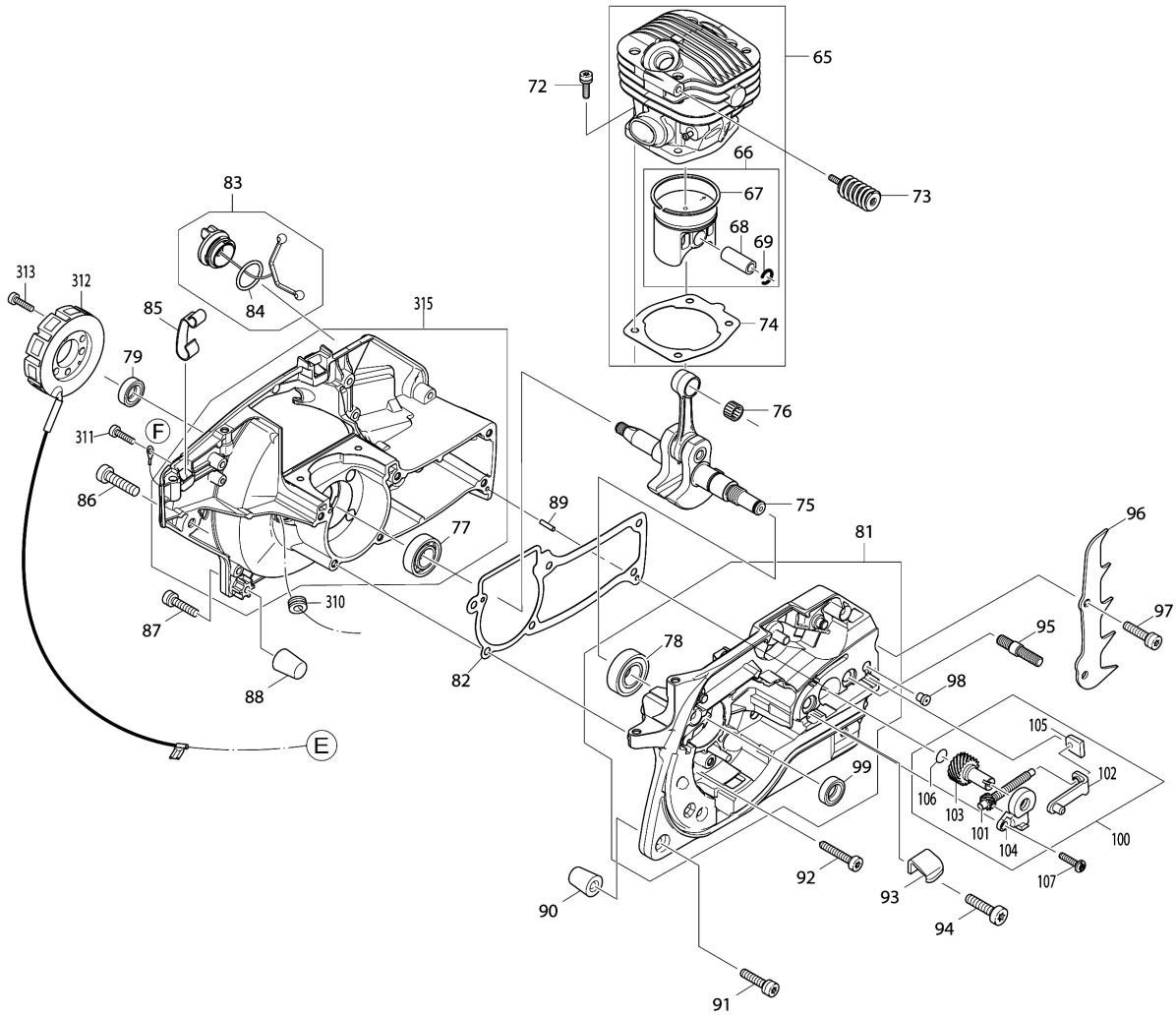
Model No.EA5001P PETROL CHAIN SAW



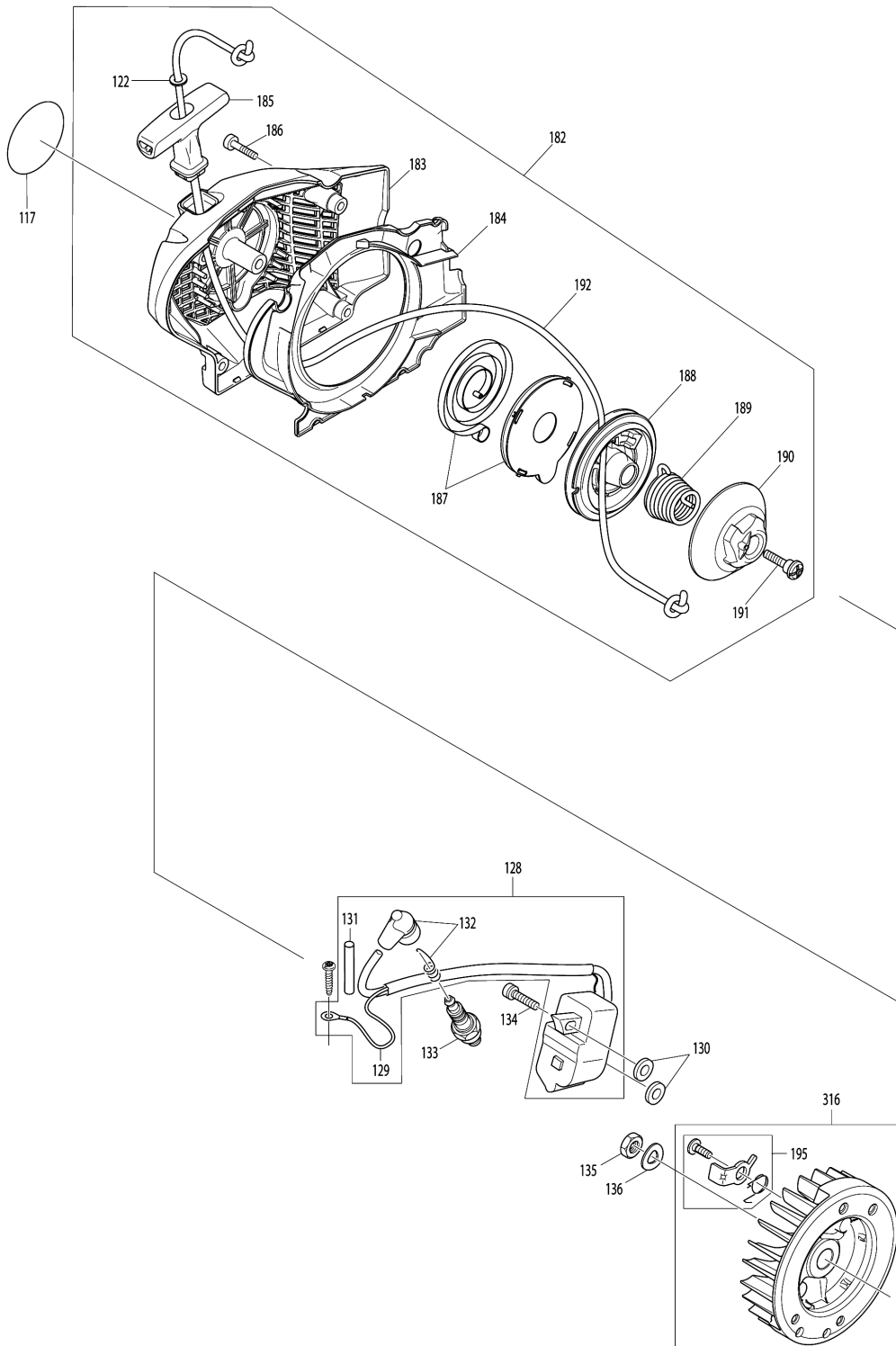
Model No.EA5001P PETROL CHAIN SAW



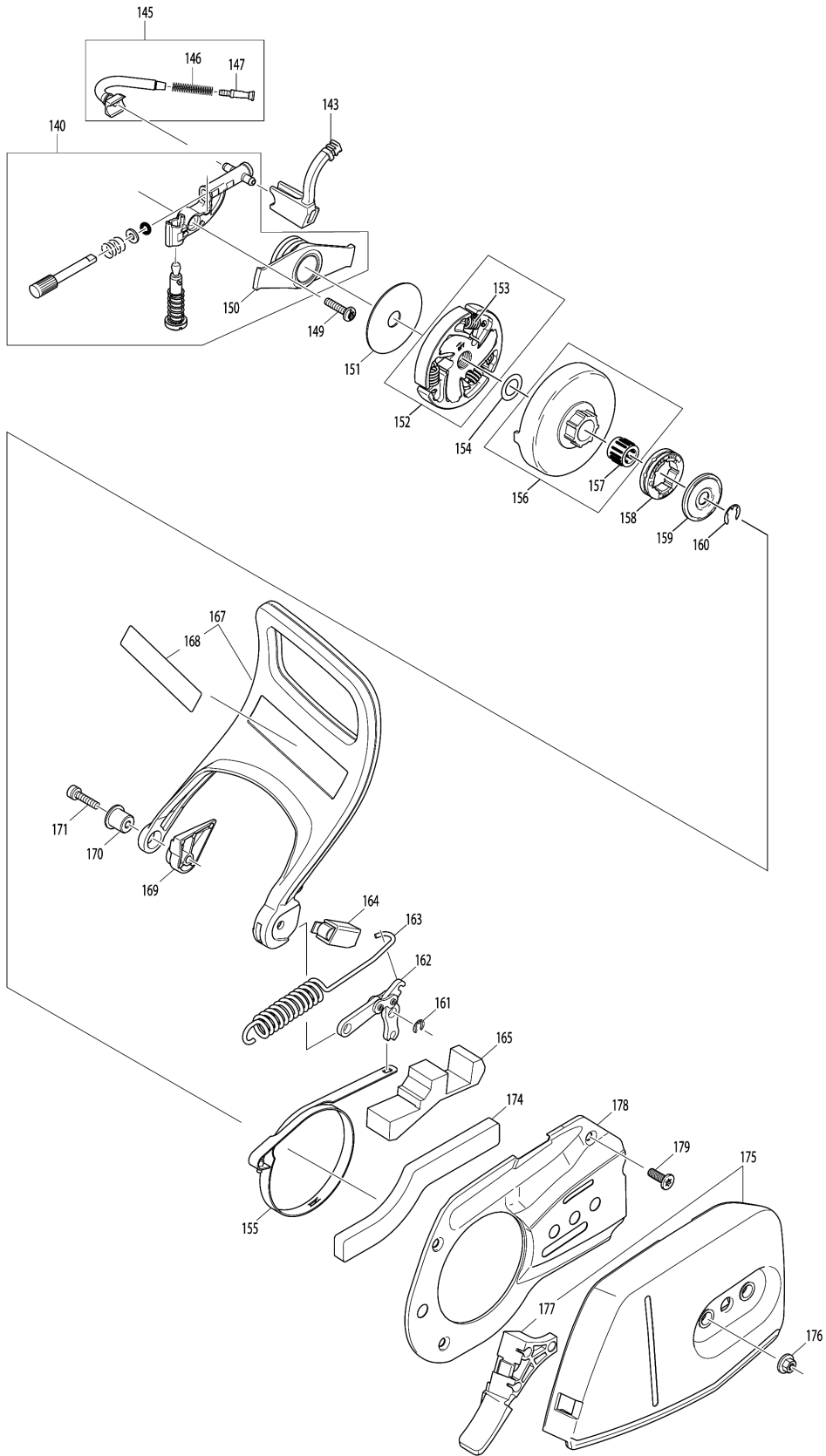
Model No.EA5001P PETROL CHAIN SAW



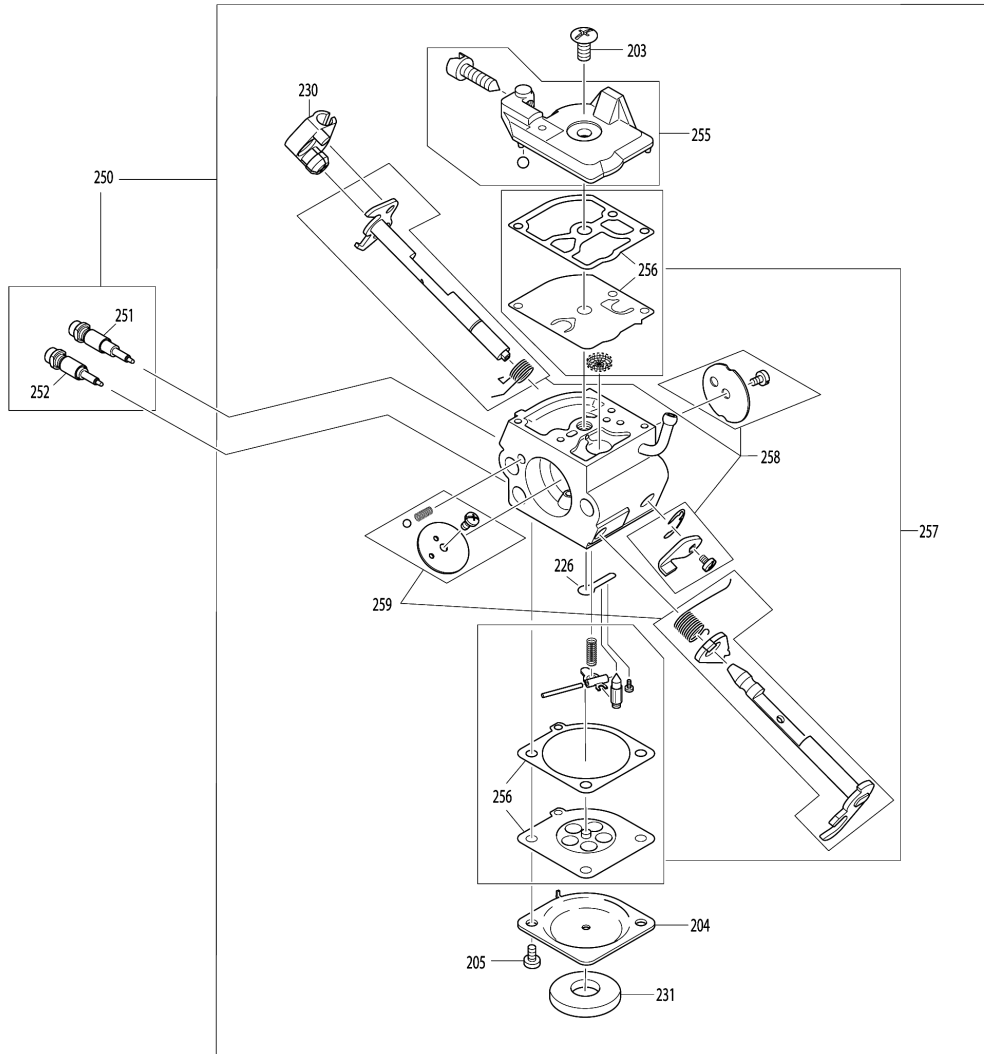
Model No.EA5001P PETROL CHAIN SAW



Model No.EA5001P PETROL CHAIN SAW



Model No.EA5001P PETROL CHAIN SAW



Model No.EA5001P PETROL CHAIN SAW

Item	Parts No.	Description	I/C	Qty	New/Old	Opt. 1	Opt. 2	Note
002	181117050	GRIP OUTER SHELL		1	*			
002-1	450851-5	GRIP OUTER SHELL	O	1				
003	181117132	CATCH LEVER		1				
004	181117031	SPRING		1				
005	181117081	ROCKER		1				
006	181117110	SPRING		1				
007	010117050	MODIFICATION SET		1				
D10		INC.30						
008	935930240	CYLINDRICAL PIN 3X24		1	*			
008-1	268233-5	PIN 3	O	1				
009	181117121	THROTTLE LEVER		1				
010	957114061	AIR VALVE CPL.		1				
011-1	913455204	H.L.TAPPING SCREW 5.5X20		1	*			
011-2	266475-5	H.L.TAPPING SCREW 5.5X20	O	1				
012	181114065	FUEL LINE		1				
013	010114010	SUCTION HEAD(FUEL)		1	*			
D10		INC.14			*			
013-1	163499-1	SUCTION HEAD	O	1				
D10		INC.14						
014	010114020	REP.KIT, FILTER(FELT ELEMENT)		1	*			
015	181114202	TANK CAP CPL.		1	*			
D10		INC.16			*			
015-1	168507-3	TANK CAP COMPLETE	O	1				
D10		INC.16						
016	963229036	PACKING RING		1	*			
016-1	213080-9	O RING 29.5	O	1				
017	181114301	DAMPING SPRING, CPL.		1				
018	181114301	DAMPING SPRING, CPL.		1				
020	913455204	H.L.TAPPING SCREW 5.5X20		1	*			
020-1	266475-5	H.L.TAPPING SCREW 5.5X20	O	1				
021	913455164	H.L. TAPPING SCREW 5.5X16		2	*			
021-1	266478-9	H.L.TAPPING SCREW 5.5X16	O	2				
022	181114652	HANDLE COVER MAKITA BLUE		1				
023	908006205	H.L. SOCKET HEAD BOLT M6X20		1	*			
023-1	266479-7	H.L. SOCKET HEAD BOLT M6X20	O	1				
024-1	913455204	H.L.TAPPING SCREW 5.5X20		1	*			
024-2	266475-5	H.L.TAPPING SCREW 5.5X20	O	1				
026	181118240	AIR FILTER ELEMENT COVER		1				
D10		INC.27,70						
027	181118060	ANTI ICING PLATE SUMMER		1				
028	181173090	AIR FILTER ELEMENT NYLON MESH		1				
029	181171050	CLIP FOR AIR FILTER		1	*			
029-1	325593-9	CLIP	O	1				
030	010117050	MODIFICATION SET		1				

Please order the parts with part number.

Print Date 18/10/2023

Model No.EA5001P PETROL CHAIN SAW

Item	Parts No.	Description	I/C	Qty	New/Old	Opt. 1	Opt. 2	Note
D10		INC.7						
031	908505555	H.L. SOCKET HEAD BOLT M5X55		2	*			
031-1	266480-2	H.L. SOCKET HEAD BOLT M5X55	O	2				
034	913455164	H.L. TAPPING SCREW 5.5X16		1	*			
034-1	266478-9	H.L.TAPPING SCREW 5.5X16	O	1				
036	181131680	CARBURETOR HOUSING ASSY BLUE		1				
037	908805205	H.L. SOCKET HEAD BOLT M5X20		4	*			
037-1	266472-1	TORX SOCKET HEAD BOLT M5X20	O	4				
040	181171160	INTAKE MANIFOLD SET		1				
D10		INC.41-42,44,63						
041	181131090	OIL RESISTANT HOSE		1				
042	181131040	INTAKE MANIFOLD		1	*			
042-1	181131041	INTAKE HOSE	O	1				
044	181131070	RING SPRING		1	*			
044-1	233971-8	RING SPRING	O	1				
045	913455164	H.L. TAPPING SCREW 5.5X16		1	*			
045-1	266478-9	H.L.TAPPING SCREW 5.5X16	O	1				
046	181155060	CONTACT SPRING		1				
047	181155030	ADJUSTING GUIDE		1				
048	913455164	H.L. TAPPING SCREW 5.5X16		1	*			
048-1	266478-9	H.L.TAPPING SCREW 5.5X16	O	1				
049-1	928405000	SPRING WASHER 5		1	*			
049-2	267821-5	SPRING WASHER 5	O	1				
050	980114928	LABEL		1	*			
050-1	816917-5	INDICATION LABEL	O	1				
057	181174062	HEAT INSULATION PLATE		1				
058	181174050	MUFFLER GASKET		1				
059	908005205	H.L. SOCKET HEAD BOLT M5X20		2	*			
059-1	266476-3	H.L. SOCKET HEAD BOLT M5X20	O	2				
060	181174091	MUFFLER COVER		1				
061	909005105	H.L. SOCKET HEAD BOLT M5X10		2	*			
061-1	266612-1	H.L. SOCKET HEAD BOLT M5X10	O	2				
062	908805205	H.L. SOCKET HEAD BOLT M5X20		1	*			
062-1	266472-1	TORX SOCKET HEAD BOLT M5X20	O	1				
063-1	185131020	INSERT		1	*			
063-2	346413-4	BUSH 17	O	1				
065	181130217	CYLINDER 45 & PISTON SET		1				
D10		INC. 66,74						
066	181132063	PISTON CPL.		1	*			
D10		INC. 67-69			*			
066-1	181132064	PISTON, PISTON RING & PIN SET	O	1				

Please order the parts with part number.

Print Date 18/10/2023

Model No.EA5001P PETROL CHAIN SAW

Item	Parts No.	Description	I/C	Qty	New/Old	Opt. 1	Opt. 2	Note
D10		INC. 67-69						
067	181132080	PISTON RING 45MM		1				
068	181132090	PISTON PIN		1				
069	181132050	CIRCLIP 10		2	*			
069-1	181132050	CIRCLIP 10	O	2				
070	181118070	RUBBER DAMPING PLUG		2	*			
070-1	424173-9	DAMPING PLUG	O	2				
072	908805235	H.L. SOCKET HEAD BOLT M5X23		4	*			
072-1	266473-9	H.L. SOCKET HEAD BOLT M5X23	O	4				
073	181114401	DAMPING SPRING,CPL.		1				
074-1	181131133	CYLINDER GASKET		1	*			
074-2	181131134	CYLINDER GASKET	O	1				
075	181120102	CRANKSHAFT CPL.		1				
076-1	962210103	NEEDLE CAGE		1				
077	960102159	BALL BAERING 6202		1	*			
077-1	211154-0	BALL BEARING 6202	X	1				
078	960123159	BALL BEARING 6202		1	*			
078-1	211250-4	BALL BEARING 1514	O	1				
079	962900156	OIL SEAL		1	*			
079-1	213141-5	OIL SEAL 12	O	1				
081	181111642	CRANKCASE ASSY RIGHT BLUE		1	*			
D10		INC. 78,99			*			
081-1	191P58-7	CRANKCASE CS BLUE COMPLETE SET	S	1				
C10	191P63-4	SCREW CS SET		1				
D10		INC. 78,98,99						
082-1	181111061	CRANKCASE GASKET		1				
083	170114100	TANK CAP COMPLETE		1	*			
D10		INC. 84			*			
083-1	168508-1	TANK CAP COMPLETE	O	1				
D10		INC. 84						
084	963225030	O RING		1	*			
084-1	213355-6	O-RING 25	O	1				
085	181118050	STEELCLIP		3				
086	908006205	H.L. SOCKET HEAD BOLT M6X20		1	*			
086-1	266479-7	H.L. SOCKET HEAD BOLT M6X20	O	1				
087	908805205	H.L. SOCKET HEAD BOLT M5X20		1	*			
087-1	266472-1	TORX SOCKET HEAD BOLT M5X20	O	1				
088	181111230	RUBBER BUFFER		1				
089	936430160	PIN 3X16		2	*			
089-1	258038-1	CLAMPING PIN	O	2	*			
089-2	258038-1	CLAMPING PIN	O	2				
090	181111230	RUBBER BUFFER		1				

Please order the parts with part number.

Print Date 18/10/2023

Model No.EA5001P PETROL CHAIN SAW

Item	Parts No.	Description	I/C	Qty	New/Old	Opt. 1	Opt. 2	Note
091	908805205	H.L. SOCKET HEAD BOLT M5X20		1	*			
091-1	266472-1	TORX SOCKET HEAD BOLT M5X20	O	1				
092	908005205	H.L. SOCKET HEAD BOLT M5X20		6	*			
092-1	266476-3	H.L. SOCKET HEAD BOLT M5X20	O	6				
093	181111050	CHAIN CATCH		1	*			
093-1	181111051	CHAIN CATCH	O	1				
094	908006205	H.L. SOCKET HEAD BOLT M6X20		1	*			
094-1	266479-7	H.L. SOCKET HEAD BOLT M6X20	O	1				
095	905808210	GUIDE BAR BOLT M8X21		2				
096	181250011	SPIKE BAR		1				
097	908805205	H.L. SOCKET HEAD BOLT M5X20		2	*			
097-1	266472-1	TORX SOCKET HEAD BOLT M5X20	O	2				
098	010245030	VENT VALVE		1	*			
098-1	168504-9	VENT VALVE	O	1	*			
098-2	168504-9	VENT VALVE	O	1				
099	962900065	OIL SEAL		1	*			
100	181213300	CHAIN TENSIONER CPL.		1				
D10		INC. 101-106						
101	181213230	TENSIONING SCREW		1	*			
101-1	227743-1	HELICAL GEAR 11	O	1				
102	181213240	TENSION SLIDE		1	*			
102-1	181213241	TENSION SLIDE	O	1				
103	181213250	ADJUSTING SCREW		1	*			
103-1	227744-9	HELICAL GEAR 18	O	1				
104-1	185213270	TRANSMISSION COVER		1	*			
104-2	452667-4	GEAR COVER PROFESSIONAL	O	1				
105	181213260	TENSIONING SCREW BEARING		1				
106	963207020	O RING		1				
107	908705125	H.L. SOCKET HEAD BOLT M5X12		1	*			
107-1	266484-4	H.L. SOCKET HEAD BOLT M5X12	O	1				
108	181174301	MUFFLER SET		1				
D10		INC. 109-110						
109	181174470	SPARK ARRESTER SCREEN		1				
110	908005095	H.L. SOCKET HEAD BOLT M5X9		2	*			
110-1	266474-7	H.L. SOCKET HEAD BOLT M5X9	O	2				
112	181131140	RUBBER BUSH		1				
117	980115759	LABEL EA5001P		1				
122-1	928405000	SPRING WASHER 5		1	*			
122-2	267821-5	SPRING WASHER 5	O	1				
128-1	181143212	IGNITION COIL COMPLETE		1	*			
D10		INC. 129,131-132			*			

Please order the parts with part number.

Print Date 18/10/2023

Model No.EA5001P PETROL CHAIN SAW

Item	Parts No.	Description	I/C	Qty	New/Old	Opt. 1	Opt. 2	Note
128-2	181143213	IGNITION COIL COMPLETE	O	1	*			
D10		INC. 129,131-132			*			
128-3	181143214	IGNITION COIL COMPLETE	O	1				
D10		INC. 129,131-132						
129	181147050	IGNITION CABLE		1				
130-1	195143031	ISOLATION WASHER		2	*			
130-2	451462-9	ISOLATING WASHER	O	2				
131	970502110	INSULATING TUBE 6 L=1M		1	*			
131-1	970502120	INSULATING TUBE	O	1				
132	957604260	PLUG CAP COMPLETE		1				
133	965603021	SPARK PLUG BPMR7A		1	*			
133-1	168648-5	SPARK PLUG (BPMR7A)	O	1				
134	908805205	H.L. SOCKET HEAD BOLT M5X20		2	*			
134-1	266472-1	TORX SOCKET HEAD BOLT M5X20	O	2				
135	920308024	HEX. NUT M8X1 (FINE THREAD)		1	*			
135-1	264022-6	HEX. NUT M8X1	O	1				
136	926208001	SPRING WASHER 8		1	*			
136-1	267822-3	SPRING WASHER 8	O	1				
140	181245251	OIL PUMP CPL.		1				
D10		INC. 150						
143	181245120	OIL LINE		1	*			
143-1	424178-9	OIL TUBE	O	1				
144	970311580	EARTH CABLE		1				
145	181245100	OIL LINE CPL.		1				
D10		INC. 146-147						
146	021245060	PRESSURE SPRING		1	*			
146-1	231975-4	SPRING	O	1				
147	001245020	HOSE STEM		1				
148	181155070	ENGINE STOP / CHOKE LEVER		1				
149	908705125	H.L. SOCKET HEAD BOLT M5X12		1	*			
149-1	266484-4	H.L. SOCKET HEAD BOLT M5X12	O	1				
150	181245090	PUMP DRIVE		1	*			
150-1	450956-1	PUMP DRIVE	O	1				
151	001182042	DISC		1	*			
151-1	267389-1	FLAT WASHER 12	O	1				
152	181180200	CLUTCH ASSY.		1	*			
D10		INC. 153			*			
152-1	168510-4	CLUTCH COMPLETE	O	1				
D10		INC. 153						
153	181184010	SPRING		3	*			
153-1	231860-1	TENSION SPRING 7	O	3				
154	181224090	FLAT WASHER 10		1	*			
154-1	181224090	FLAT WASHER 10	O	1				

Please order the parts with part number.

Print Date 18/10/2023

Model No.EA5001P PETROL CHAIN SAW

Item	Parts No.	Description	I/C	Qty	New/Old	Opt. 1	Opt. 2	Note
155	181213011	BRAKE BAND		1	*			
155-1	346029-5	BRAKE BAND	O	1				
156	181223062	CLUTCH DRUM CPL.		1	*			
D10		INC. 157			*			
156-1	181223200	CLUTCH DRUM COMPLETE	O	1	*			
D10		INC. 157			*			
156-2	144765-5	CLUTCH DRUM COMPLETE	O	1				
D10		INC. 157						
157	962300009	NEEDLE BEARING		1	*			
157-1	212082-2	NEEDLE BEARING 1012	O	1				
158	181224040	RIM SPROCKET .325" SM7-7		1				
159	181224081	WASHER 29		1	*			
159-1	267820-7	WASHER 29	O	1				
160	927408000	STOP RING E-8		1	*			
160-1	259045-7	STOP RING E-8	O	1				
161	927304000	STOP RING E-4		1	*			
161-1	257934-0	STOP RING E-4	O	1				
162	181213100	BRAKING MECHANISM		1	*			
162-1	163500-2	LINK PLATE COMPLETE	O	1				
163	181213022	TENSION SPRING		1	*			
163-1	231870-8	TENSION SPRING 10	O	1				
164	181213170	HANDGUARD GUIDE,CPL.		1	*			
164-1	450926-0	STOPPER CASE	O	1				
165	181213371	FOAM SPONGE		1				
167-2	450857-3	HAND GUARD		1	*			
167-3	450857-3	HAND GUARD	O	1				
168	980114237	LABEL		1				
169	181213310	SPACER		1				
170	181213320	BUSHING		1	*			
170-1	325604-0	BUSH	O	1				
171	908805205	H.L. SOCKET HEAD BOLT M5X20		1	*			
171-1	266472-1	TORX SOCKET HEAD BOLT M5X20	O	1				
174	181213400	FOAM SPONGE		1				
175	957213600	SPROCKET GUARD COMPLETE BLUE		1				
D10		INC. 177						
176	923208004	HEX. FLANGE NUT M8(BAR NUT)		2	*			
176-1	252145-2	COLLARED HEX NUT M8	O	2				
177	957213220	CHIP GUIDE		1				
178	181213191	COVER		1				
179	908105126	H.L.S. FLAT HEAD BOLT M5X12		3	*			
179-1	266477-1	H.L. C.S. HEAD SCREW M5X12	O	3				
182	181160670	STARTER ASSY. BLUE		1	*			
D10		INC. 122,183-192			*			

Please order the parts with part number.

Print Date 18/10/2023

Model No.EA5001P PETROL CHAIN SAW

Item	Parts No.	Description	I/C	Qty	New/Old	Opt. 1	Opt. 2	Note
182-1	123562-2	STARTING DEVICE BLUE CPL.	O	1				
D10		INC. 122,183-192						
183	181112660	STARTER HOUSING BLUE		1				
184-1	456685-4	AIR GUIDE PLATE		1				
185	181164010	STARTER GRIP		1	*			
185-1	452458-3	STARTER GRIP	O	1				
186	908605205	H.L. SOCKET HEAD BOLT M5X20		4	*			
186-1	266942-0	H.L. SOCKET HEAD BOLT M5X20	O	4				
187	181163050	REWIND SPRING IN HOUSING		1	*			
187-1	140587-1	REWIND SPRING COMPLETE	O	1				
188-1	452224-8	CABLE DRUM		1				
189	181163080	SPRING EASY-START		1	*			
189-1	234193-3	SPRING EASY START	O	1				
190-1	452227-2	DRIVER EASY START		1				
191	181163095	STEPPED TAPPING SCREW 5X16.5		1	*			
191-1	266616-3	SCREW	O	1				
192	108164020	STARTER ROPE 3.5MM (L=0.98M)		1				
195-2	185166100	STARTER RATCHET SET(2PCS EACH)		2				
203	038153360	SCREW		1				
204	181153040	DIAPHRAGM COVER		1				
205	001153020	SCREW		2				
226	181153210	PLUG-WELCH		1				
230	038155012	RETAINING CLIP		1				
231	965402995	GASKET		1				
250	181153301	CARBURETOR (REGULATED MARKET)		1				
D10		INC. 203-205,226,230,231,251,						
D20		INC. 252,255,257-259						
251	181153261	IDLE ADJUSTMENT SCREW L (DD)		1				
252	181153271	MAIN ADJUSTMENT SCREW H (DD)		1				
255	181153031	PUMP COVER		1				
256	181153021	DIAPHRAGM & GASKETS		1				
257	181153560	REBUILD KIT		1				
D10		INC. 256						
258	181153570	KIT THROTTLE SHAFT		1				
259	181153580	KIT CHOKE SHAFT		1				
300	181114670	TANK CPL. BLUE HANDLE HEATING		1				
D10		INC. 2-12,15,17,18,301-303,						
D20		INC. 305,306						
301	181148071	CABLE GUIDE		1				
302	915535100	TAPPING SCREW 3.5X9.5		1	*			
302-1	251480-5	TAPPING SCREW ST3.5X9.5	O	1				
303	965401011	GROMMET		1				

Please order the parts with part number.

Print Date 18/10/2023

Model No.EA5001P PETROL CHAIN SAW

Item	Parts No.	Description	I/C	Qty	New/Old	Opt. 1	Opt. 2	Note
304	038146030	INSULATING CAP		1				
305	975001230	SWITCH FOR HEATER		1				
306	975001260	SWITCH COVER		1				
307	181310150	FRONT HANDLE ASSY WITH HEATER		1				
D10		INC. 308,309						
308	965401011	GROMMET		1				
309	038146030	INSULATING CAP		1				
310	965401011	GROMMET		1				
311	908004125	H.L. SOCKET HEAD BOLT M4X12		1				
312	181148060	GENERATOR COIL		1	*			
312-1	181148061	GENERATOR COIL	O	1				
313	908004125	H.L. SOCKET HEAD BOLT M4X12		3				
315	181111665	CRANKC. CL. SIDE BLUE HANDLE H		1	*			
D10		INC. 77			*			
315-1	191P59-5	CRANKCASE MS BLUE COMPLETE SET	S	1				
C10	191P62-6	SCREW MS SET		1				
C20	451462-9	ISOLATING WASHER		2				
D10		INC. 77,89						
316	181148106	FLYWHEEL ASSY.		1				
D10		INC. 195						
A14	957004011	TOOL CPL.		1				
D10		INC. A15-A18						
A15	941719131	UNIVERSAL WRENCH		1	*			
A15-1	941719133	UNIVERSAL WRENCH 13/19		1	*			
A15-2	782033-4	UNIVERSAL WRENCH 13/19	O	1				
A16	940827000	HEXALOBULAR ANGLED DRIVER T27		1	*			
A16-1	782025-3	HEXALOBULAR WRENCH 27	O	1				
A17	944340001	SCREW DRIVER		1	*			
A17-1	783012-5	SCREWDRIVER	O	1				
A18	950004002	PLASTIC BAG		1	*			
A18-1	831340-3	TOOL BAG	O	1				
A19	944500795	CYLINDER FIN CLEANER		1				

Please order the parts with part number.

Print Date 18/10/2023