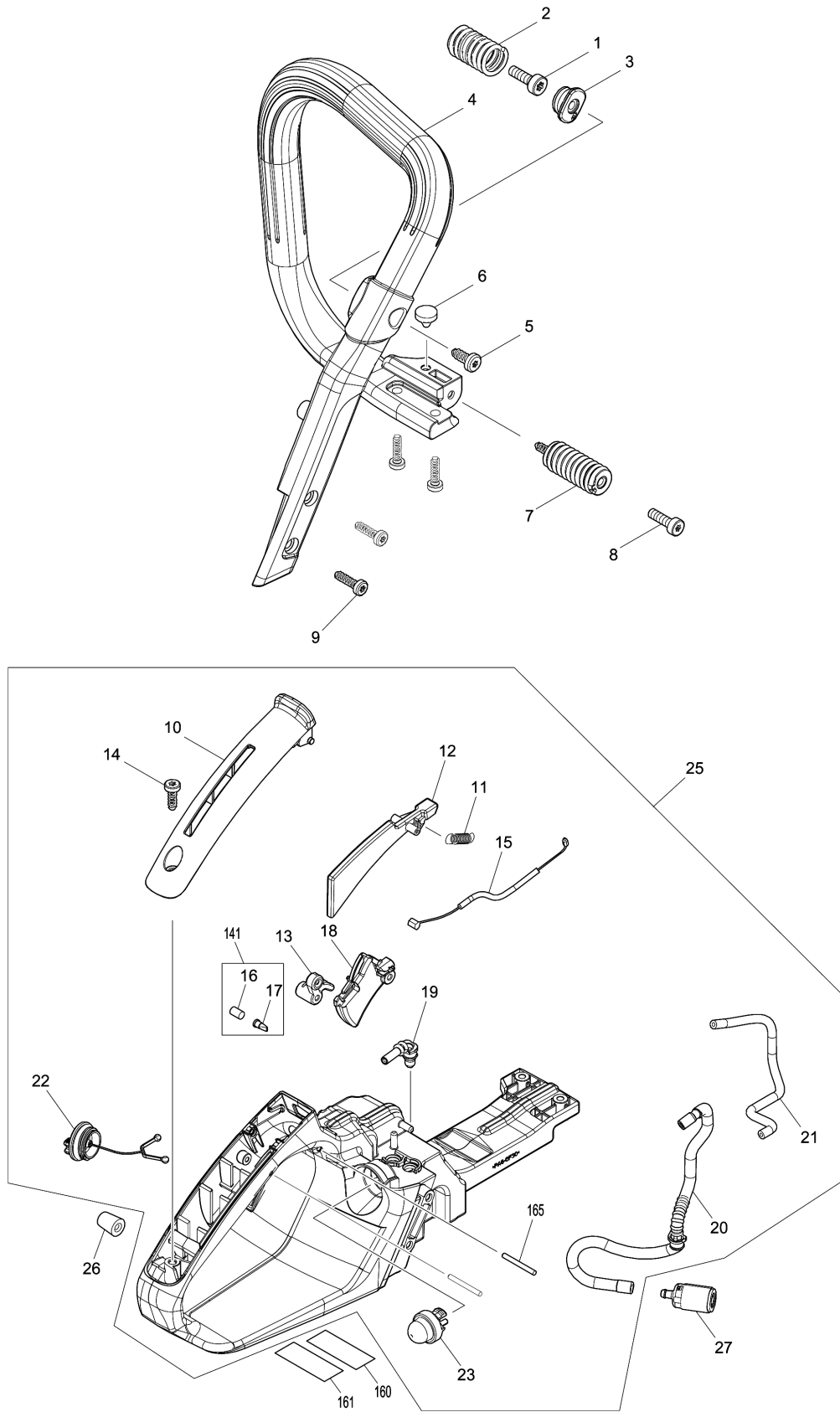
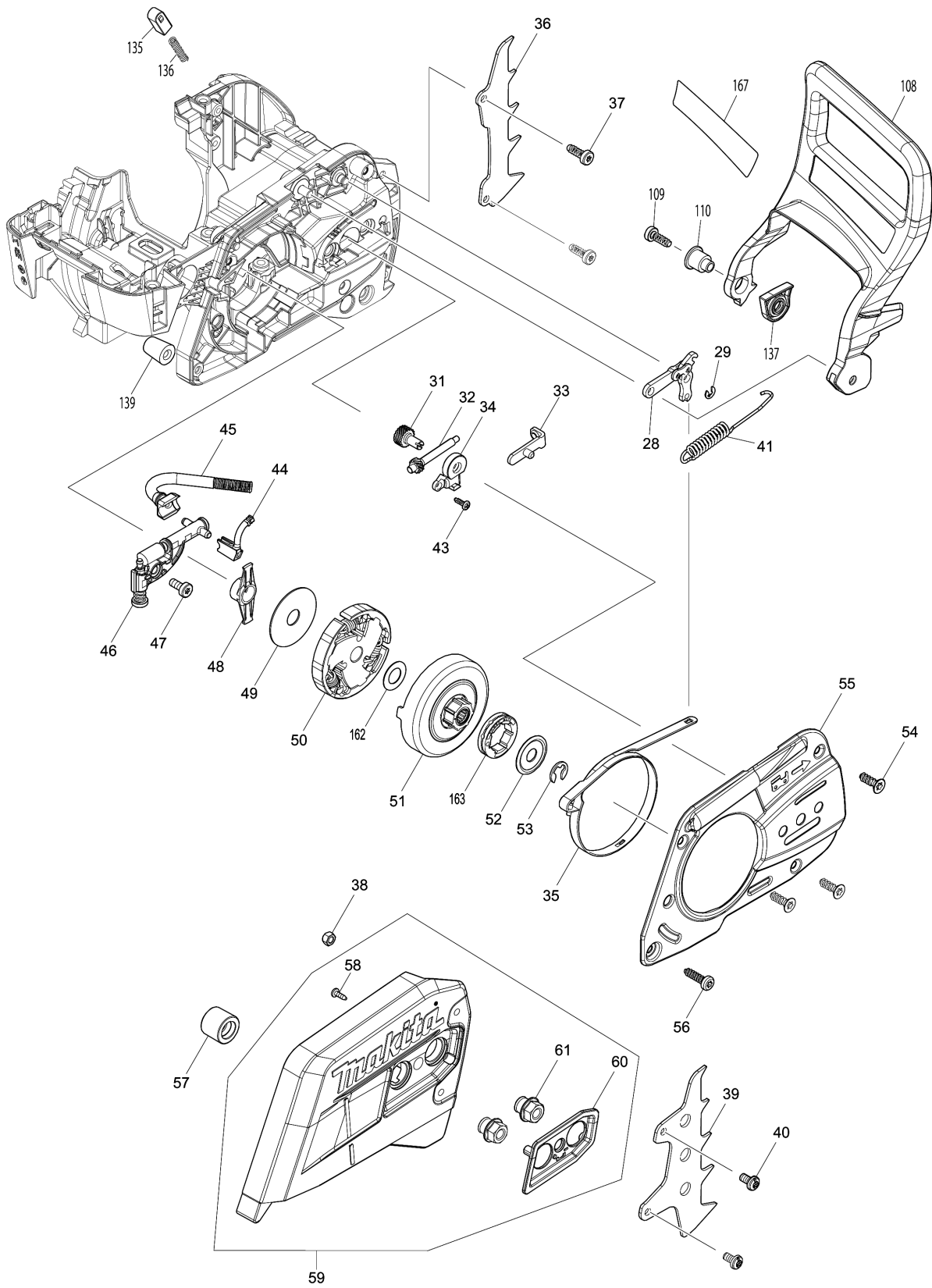


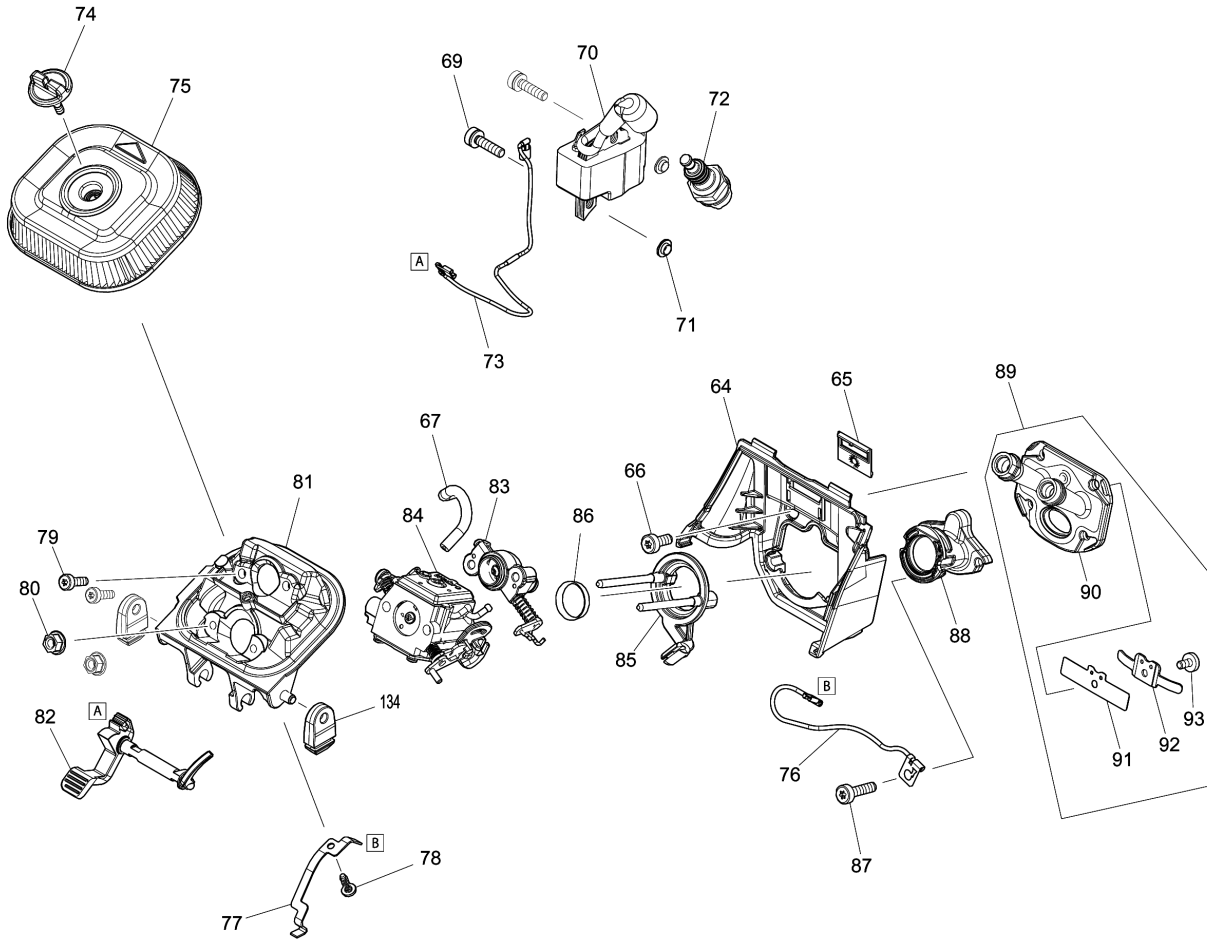
Model No.EA5600F PETROL CHAIN SAW



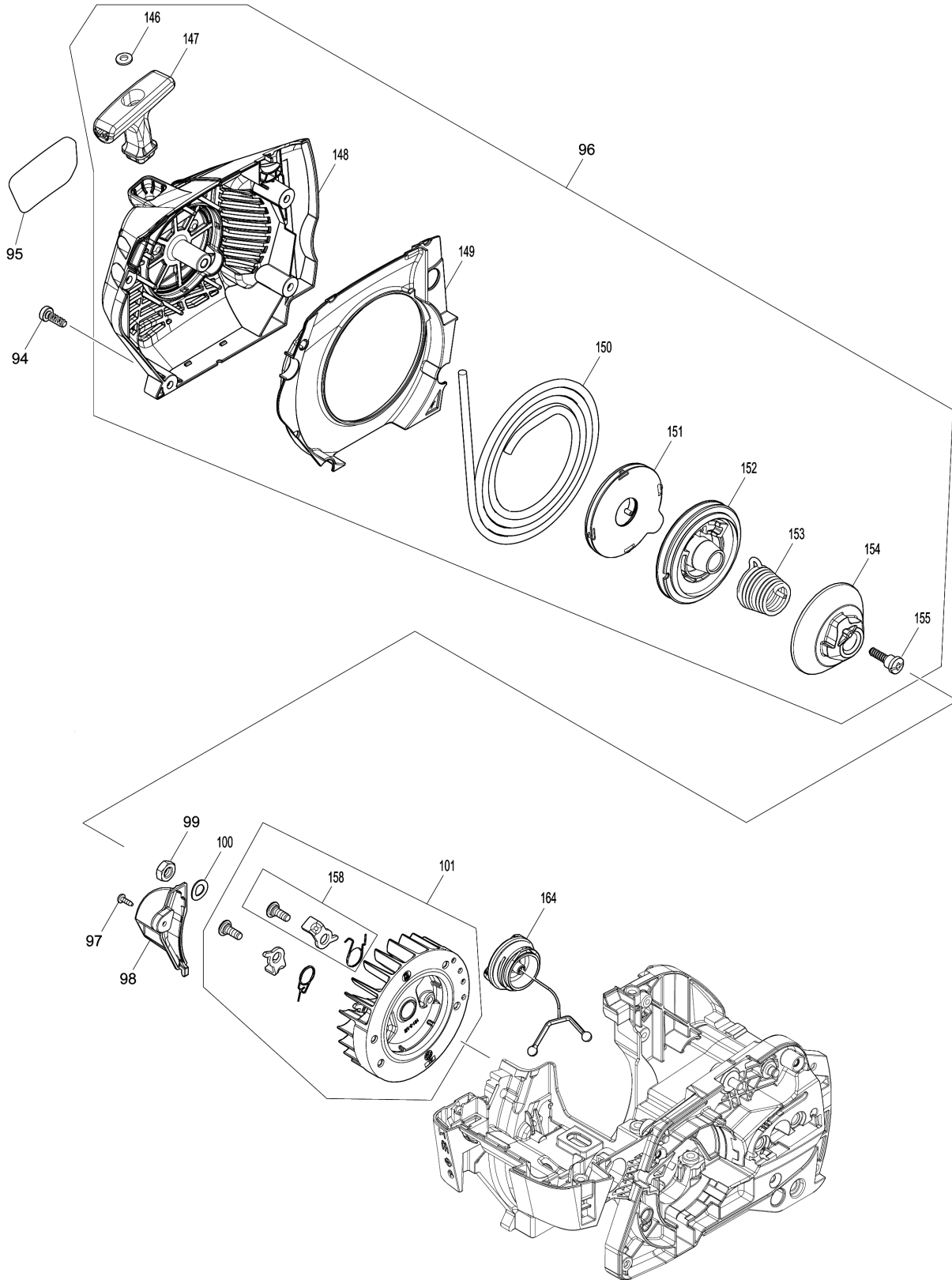
Model No.EA5600F PETROL CHAIN SAW



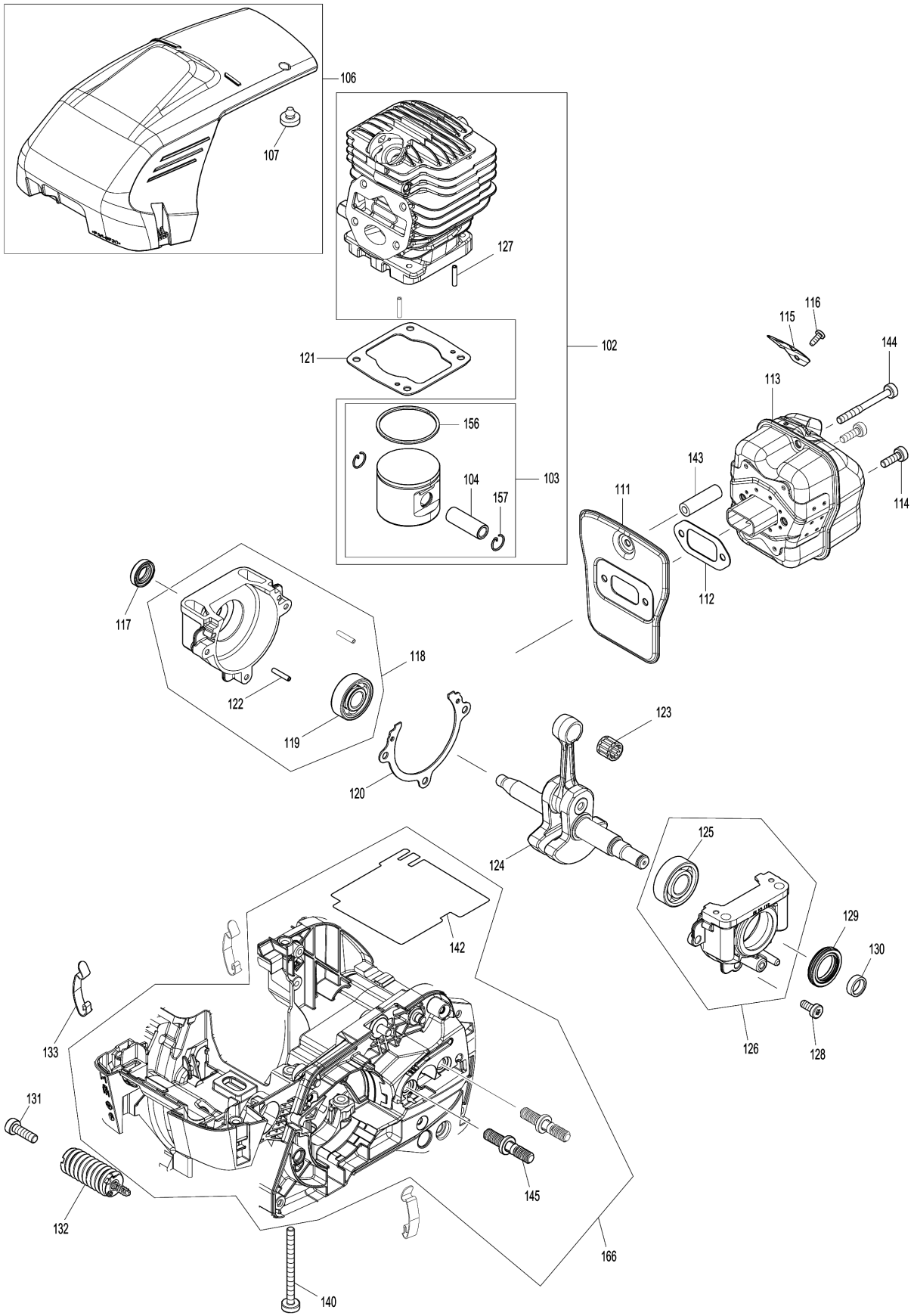
Model No.EA5600F PETROL CHAIN SAW



Model No.EA5600F PETROL CHAIN SAW



# Model No.EA5600F PETROL CHAIN SAW



Model No.EA5600F PETROL CHAIN SAW

Item	Parts No.	Description	I/C	Qty	New/Old	Opt. 1	Opt. 2	Note
001	908005165	FILLISTER HEAD SCREW M5X16		1	*			
001-1	266605-8	H.L. SOCKET HEAD BOLT M5X16	O	1				
002	231898-6	DAMPING SPRING		1				
003	456373-3	SPRING HOLDER		1				
004	456379-1	TUBULAR HANDLE		1				
005	913467164	SCREW 6.7X16		1	*			
005-1	251492-8	H.L.TAPPING SCREW 6.7X16	O	1				
006	965402360	RUBBER BUFFER		1	*			
006-1	424878-1	BUFFER	O	1				
007	143754-7	DAMPING SPRING ASSEMBLY		1				
008	908006205	H.L. SOCKET HEAD BOLT M6X20		1	*			
008-1	266479-7	H.L. SOCKET HEAD BOLT M6X20	O	1				
009	913455204	H.L.TAPPING SCREW 5.5X20		4	*			
009-1	266475-5	H.L.TAPPING SCREW 5.5X20	O	4				
010	131117050	GRIP OUTER SHELL		1				
011	130117060	TENSION SPRING		1				
012	038117020	CATCH LEVER		1				
013	038117030	ROCKER		1				
014	913455164	H.L. TAPPING SCREW 5.5X16		1	*			
014-1	266478-9	H.L.TAPPING SCREW 5.5X16	O	1				
015	131117040	BOWDEN CABLE		1				
016	010175030	SINTER INSERT		1	*			
016-1	422063-0	SINTER INSERT	O	1				
017	010175021	VALVE		1	*			
017-1	424170-5	VALVE	O	1				
018	130117010	THROTTLE LEVER		1				
019	131114340	FUEL PIPE		1				
020	131114310	FUEL PIPE		1				
021	131114090	TUBE 2.5-169		1				
022	181114202	TANK CAP CPL.		1	*			
C10	963229036	PACKING RING		1	*			
022-1	168507-3	TANK CAP COMPLETE	O	1				
C10	213080-9	O RING 29.5	O	1				
023	130153500	PRIMER		1				
025	131114680	FUEL TANK SET (BLUE)		1				
D10		INC. 10-23,141,165						
026	181111230	RUBBER BUFFER		1				
027	010114200	FUEL FILTER ASSY		1				
028	185213100	BREAK LINK PLATE COMPLETE		1				
029	927304000	STOP RING E-4		1	*			
029-1	257934-0	STOP RING E-4	O	1				
031	181213250	ADJUSTING SCREW		1	*			
031-1	227744-9	HELICAL GEAR 18	O	1				

Please order the parts with part number.

Print Date 24/10/2023

Model No.EA5600F PETROL CHAIN SAW

Item	Parts No.	Description	I/C	Qty	New/Old	Opt. 1	Opt. 2	Note
032	181213230	TESIONING SCREW		1	*			
032-1	227743-1	HELICAL GEAR 11	O	1				
033	130213240	TENSION SLIDE		1				
034	452667-4	GEAR COVER PROFESSIONAL		1				
035	181213011	BRAKE BAND		1	*			
035-1	346029-5	BRAKE BAND	O	1				
036	130250011	SPIKE BAR		1				
037	913455164	H.L. TAPPING SCREW 5.5X16		2	*			
037-1	266478-9	H.L.TAPPING SCREW 5.5X16	O	2				
041	181213023	TENSION SPRING		1	*			
041-1	231870-8	TENSION SPRING 10	O	1				
043	266421-8	TAPPING SCREW 3X10		1				
044	181245120	OIL LINE		1	*			
044-1	424178-9	OIL TUBE	O	1				
045A	144274-4	TUBE COMPLETE		1	*			
045-1A	181245300	TUBE COMPLETE	X	1	*			
045-1B	181245300	TUBE COMPLETE		1	*			
045-2	144274-4	TUBE COMPLETE	O	1				
046	179245204	OIL PUMP CPL.		1	*			
046-1	161346-0	OIL PUMP COMPLETE	O	1				
047	908705125	H.L. SOCKET HEAD BOLT M5X12		1	*			
047-1	266484-4	H.L SOCKET HEAD BOLT M5X12	O	1				
048	181245090	PUMP DRIVE		1	*			
048-1	450956-1	PUMP DRIVE	O	1				
049	001182042	DISC		1	*			
049-1	267389-1	FLAT WASHER 12	O	1				
050	181180300	CLUTCH ASSY		1	*			
C10	181184020	TENSION SPRING		3	*			
050-1	127443-2	CLUTCH ASSEMBLY	O	1				
C10	232352-3	TENSION SPRING 6	O	3				
051	181223200	CLUTCH DRUM COMPLETE		1	*			
051-1	144765-5	CLUTCH DRUM COMPLETE	O	1				
C10	212082-2	NEEDLE BEARING 1012		1				
052	181224081	WASHER 29		1	*			
052-1	267820-7	WASHER 29	O	1				
053	927408000	STOP RING E-8		1	*			
053-1	259045-7	STOP RING E-8	O	1				
054	913850155	H.L.S. TAPPINNG SCREW 5X15		3	*			
054-1	266991-7	H.L.TAPPING SCREW 5X15	O	3				
055	326647-5	CHAIN BRAKE COVER		1				
056	913455204	H.L.TAPPING SCREW 5.5X20		1	*			
056-1	266475-5	H.L.TAPPING SCREW 5.5X20	O	1				
057	456378-3	CHAIN CATCHER		1				
058	266421-8	TAPPING SCREW 3X10		2				

Please order the parts with part number.

Print Date 24/10/2023

Model No.EA5600F PETROL CHAIN SAW

Item	Parts No.	Description	I/C	Qty	New/Old	Opt. 1	Opt. 2	Note
059	131213620	SPROCKET GUARD ASSEMBLY(BLUE)		1	*			
D10		INC. 58,60,61			*			
059-1	131213621	SPROCKET GUARD ASSEMBLY(BLUE)	<	1				
D10		INC. 58,60,61						
060	456674-9	NUT COVER		1				
061	144689-5	FLANGE NUT COMPLETE		2	*			
061-1	162493-0	FLANGE NUT COMPLETE	<	2	*			
061-2	162493-0	FLANGE NUT COMPLETE	O	2				
064	131131080	INTERMEDIATE FLANGE		1	*			
064-1	456929-2	INTERMEDIATE FLANGE	O	1				
065	195118141	ANTI ICING PLATE		1	*			
065-1	456157-9	SHUTTER PLATE	O	1				
066	908005125	H.L. SOCKET HEAD BOLT M5X12		2	*			
066-1	266946-2	H.L. SOCKET HEAD BOLT M5X12	O	2				
067	131114080	TUBE 2.5-64		1				
069	908805205	H.L. SOCKET HEAD BOLT M5X20		2	*			
069-1	266472-1	TORX SOCKET HEAD BOLT M5X20	O	2				
070	131140100	IGNITION COIL COMPLETE		1	*			
C10	125143011	PLUG CAP		1	*			
C20	131143040	INSULATING TUBE 6-100		1	*			
C30	125143020	TERMINAL SPRING		1	*			
070-1	131140101	IGNITION COIL COMPLETE	<	1				
C10	125143011	PLUG CAP		1				
C20	131143040	INSULATING TUBE 6-100		1				
C30	125143020	TERMINAL SPRING		1				
071	195143031	ISOLATION WASHER		2	*			
071-1	451462-9	ISOLATING WASHER	O	2				
072	965603021	SPARK PLUG BPMR7A		1	*			
072-1	168648-5	SPARK PLUG (BPMR7A)	O	1				
073	632F91-5	LEAD UNIT		1				
074	265791-2	THUMB SCREW M4		1				
075	131173010	AIR FILTER		1				
076	632F92-3	LEAD UNIT		1				
077	131155010	CONTACT SPRING		1				
078	266421-8	TAPPING SCREW 3X10		1				
079	908005205	H.L. SOCKET HEAD BOLT M5X20		2	*			
079-1	266476-3	H.L. SOCKET HEAD BOLT M5X20	O	2				
080	175131300	HEX. FLANGE NUT M4		2	*			
080-1	264119-1	HEXAGONAL NUT M4	O	2				
081	456376-7	INTAKE MANIFOLD		1				
082	456375-9	CHOKE LEVER		1				
083	131151700	AIR FLAP ASSEMBLY		1				

Please order the parts with part number.

Print Date 24/10/2023



Model No.EA5600F PETROL CHAIN SAW

Item	Parts No.	Description	I/C	Qty	New/Old	Opt. 1	Opt. 2	Note
084	131151100	CARBURETOR		1				
D10		INC. 169-171						
085	131131070	FLANGE RING		1				
086	131131090	SLEEVE 19		1				
087	908005205	H.L. SOCKET HEAD BOLT M5X20		2	*			
087-1	266476-3	H.L. SOCKET HEAD BOLT M5X20	O	2				
088	131131050	SUCTION HOSE		1				
089	131131160	AIR HOSE COMPLETE		1				
D10		INC. 90-93						
090	131131030	AIR HOSE		1				
091	131179020	REED VALVE		1				
092	131179010	VALVE STOPPER		1				
093	908004085	H.L. SOCKET HEAD BOLT M4X8		1	*			
093-1	266985-2	H.L. SOCKET HEAD BOLT M4X8	O	1				
094	913455164	H.L. TAPPING SCREW 5.5X16		4	*			
094-1	266478-9	H.L. TAPPING SCREW 5.5X16	O	4				
095	131115620	EA5600F MODEL NO LABEL		1				
096	131160600	RECOIL STARTER ASSEMBLY (BLUE)		1				
D10		INC. 146-155						
097	266421-8	TAPPING SCREW 3X10		1				
098	456377-5	AIR DUCT		1				
099	920308024	HEX. NUT M8X1 (FINE THREAD)		1	*			
099-1	264022-6	HEX. NUT M8X1	O	1				
100	926208001	SPRING WASHER 8		1	*			
100-1	267822-3	SPRING WASHER 8	O	1				
101	181141105	FLYWHEEL CPL.		1	*			
D10		INC. 158			*			
101-1	143331-5	FLYWHEEL COMPLETE	O	1	*			
D10		INC. 158			*			
101-2	141P19-7	FLYWHEEL COMPLETE	<	1				
D10		INC. 158						
102	131131200	CYLINDER PISTON SET		1				
D10		INC. 103,127						
103	131132100	PISTON COMPLETE		1				
D10		INC. 104,156,157						
104	131132030	PISTON PIN		1				
106	131118600	HOOD SET		1				
D10		INC. 107						
107	965402360	RUBBER BUFFER		1	*			
107-1	424878-1	BUFFER	O	1				
108	131213050	HAND GUARD GUIDE		1				
109	913455164	H.L. TAPPING SCREW 5.5X16		1	*			
109-1	266478-9	H.L. TAPPING SCREW 5.5X16	O	1				

Please order the parts with part number.

Print Date 24/10/2023

Model No.EA5600F PETROL CHAIN SAW

Item	Parts No.	Description	I/C	Qty	New/Old	Opt. 1	Opt. 2	Note
110	326676-8	BUSH 10		1				
111	131174090	COOLING PLATE		1				
112	395174120	MUFFLER GASKET		1	*			
112-1	346876-4	MUFFLER GASKET	O	1				
113	131174100	MUFFLER COMPLETE		1				
114	908005165	FILLISTER HEAD SCREW M5X16		2	*			
114-1	266605-8	H.L. SOCKET HEAD BOLT M5X16	O	2				
115	131174040	SPARK ARRESTER		1				
116	914535105	SELF TAPPING SCREW 3.5X9.5		1	*			
116-1	251477-4	SCREW 3.5X9.5	O	1				
117	962900156	OIL SEAL		1	*			
117-1	213141-5	OIL SEAL 12	O	1				
118	131111100	CRANKCASE MS COMPLETE		1				
D10		INC. 119,122						
119	960102121	BALL BEARING 6201		1	*			
119-1	211494-6	BALL BEARING 6201	O	1				
120	131111060	CRANKCASE GASKET		1				
121	131131020	CYLINDER-BASE GASKET		1	*			
121-1	131131021	CYLINDER-BASE GASKET	O	1				
122	936430160	PIN 3X16		2	*			
122-1	258038-1	CLAMPING PIN	O	2				
123	962210111	NEEDLE CAGE		1	*			
123-1	212164-0	NEEDLE CAGE	O	1				
124	131120100	CRANKSHAFT COMPLETE		1	*			
124-1	131120101	CRANKSHAFT COMPLETE	O	1				
125	960102152	BALL BEARING 6202		1	*			
125-1	211154-0	BALL BEARING 6202	O	1				
126	131111111	CRANKCASE CS COMPLETE		1				
D10		INC. 125						
127	936430160	PIN 3X16		2	*			
127-1	258038-1	CLAMPING PIN	O	2				
128	908705165	HL SOCKET HEAD BOLT M5X16		3				
129	962900160	OIL SEAL 20		1				
130	326658-0	SLEEVE 15		1				
131	908006205	H.L. SOCKET HEAD BOLT M6X20		1	*			
131-1	266479-7	H.L. SOCKET HEAD BOLT M6X20	O	1				
132	143754-7	DAMPING SPRING ASSEMBLY		1				
133	130118070	STEELCLIP		3	*			
133-1	347071-9	CLAMP	O	3				
134	424806-6	INTAKE MANIFOLD DAMPER		2				
135	313212-9	HAND GUARD GUIDE		1				
136	181213060	COMPRESSION SPRING 3		1	*			
136-1	234093-7	COMPRESSION SPRING 3	O	1				

Please order the parts with part number.

Print Date 24/10/2023

Model No.EA5600F PETROL CHAIN SAW

Item	Parts No.	Description	I/C	Qty	New/Old	Opt. 1	Opt. 2	Note
137	456613-9	SPACER		1				
139	181111230	RUBBER BUFFER		1				
140	914105656	H.L. SOCKET HEAD BOLT M5X65		4				
141	170175010	AIR VALVE COMPLETE		1	*			
D10		INC. 16,17			*			
141-1	195762-4	AIR VALVE SET	O	1				
D10		INC. 16,17						
142	131111080	HEAT PROTECTION FOIL		1				
143	327008-2	SLEEVE 5		2				
144	908605505	H.L. SOCKET HEAD BOLT M5X50		1	*			
144-1	266941-2	H.L. SOCKET HEAD BOLT M5X50	O	1				
145	905708215	BOLT		2				
146	928405000	SPRING WASHER 5		1	*			
146-1	267821-5	SPRING WASHER 5	O	1				
147	181164010	STARTER GRIP		1	*			
147-1	452458-3	STARTER GRIP	O	1				
148	131160660	STARTER HOUSING COMPLETE		1				
149	131118040	AIR GUIDE PLATE		1				
150	131164020	STARTER ROPE D=3.5 L=1030		1				
151	181163050	REWIND SPRING IN HOUSING		1	*			
151-1	140587-1	REWIND SPRING COMPLETE	O	1				
152	181162020	CABLE DRUM		1	*			
152-1	452224-8	CABLE DRUM	O	1				
153	181163080	SPRING EASY-START		1	*			
153-1	234193-3	SPRING EASY START	O	1				
154	181163090	STARTER WHEEL		1	*			
154-1	452227-2	DRIVER EASY START	O	1				
155	181163095	STEPPED TAPPING SCREW 5X16.5		1	*			
155-1	266616-3	SCREW	O	1				
156	181132080	PISTON RING 45MM		1				
157	315132140	SPRING RING		2	*			
157-1	234390-1	CIRCLIP 11	O	2				
158	181166100	STARTER RATCHET CP(2PCS EACH)		2				
162	181224090	FLAT WASHER 10		1	*			
162-1	181224090	FLAT WASHER 10	O	1				
163A	181224040	RIM SPROCKET .325" SM7-7		1				
163B	026224010	RIM SPROCKET 3/8" SM7-7		1				
164	181114202	TANK CAP CPL.		1	*			
C10	963229036	PACKING RING		1	*			
164-1	168507-3	TANK CAP COMPLETE	O	1				
C10	213080-9	O RING 29.5	O	1				
165	935930280	CYLINDRICAL PIN 3X28		2	*			
165-1	268335-7	PIN 3	O	2				

Please order the parts with part number.

Print Date 24/10/2023

Model No.EA5600F PETROL CHAIN SAW

Item	Parts No.	Description	I/C	Qty	New/Old	Opt. 1	Opt. 2	Note
166	131110650	ENGINE HOUSING ASSEMBLY(BLUE)		1				
D10		INC. 142,145						
167	810449-4	CAUTION LABEL		1	*			
167-1	818N32-5	CAUTION LABEL	<	1				
168	131151500	GASKET AND DIAPHRAGM KIT		1				
169	131151510	REBUILD KIT		1				
D10		INC. 168						
170	131151570	THROTTLE KIT		1				
171	131151580	CHOKE KIT		1				

Please order the parts with part number.

Print Date 24/10/2023