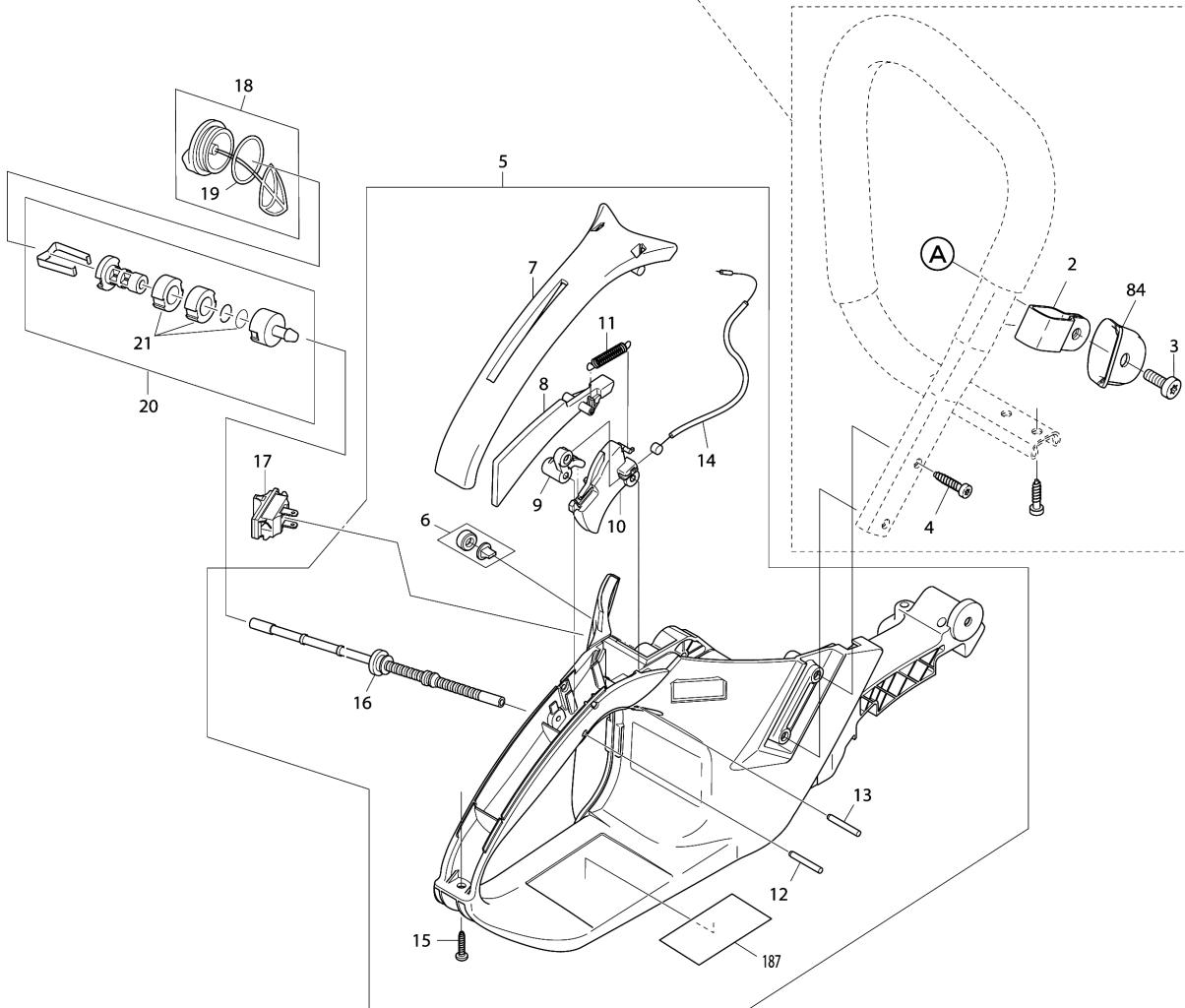
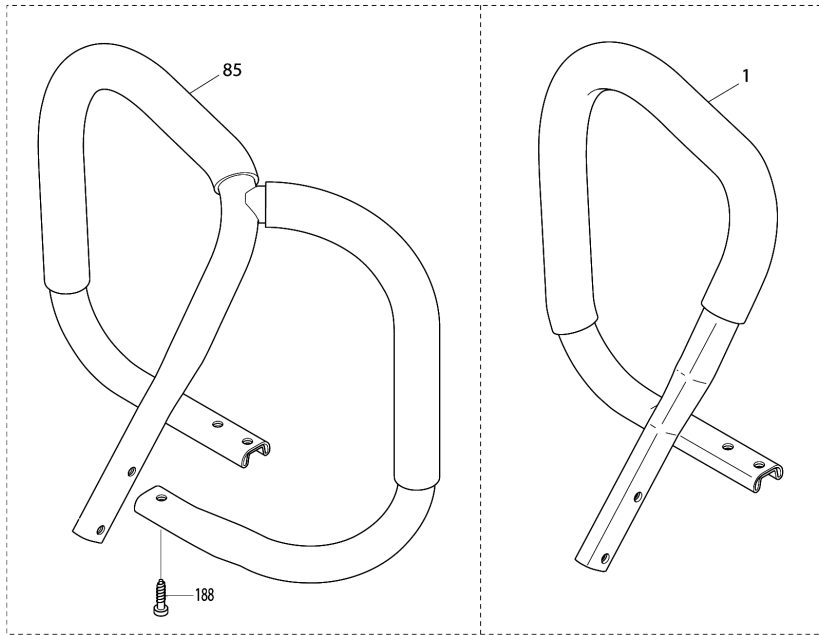
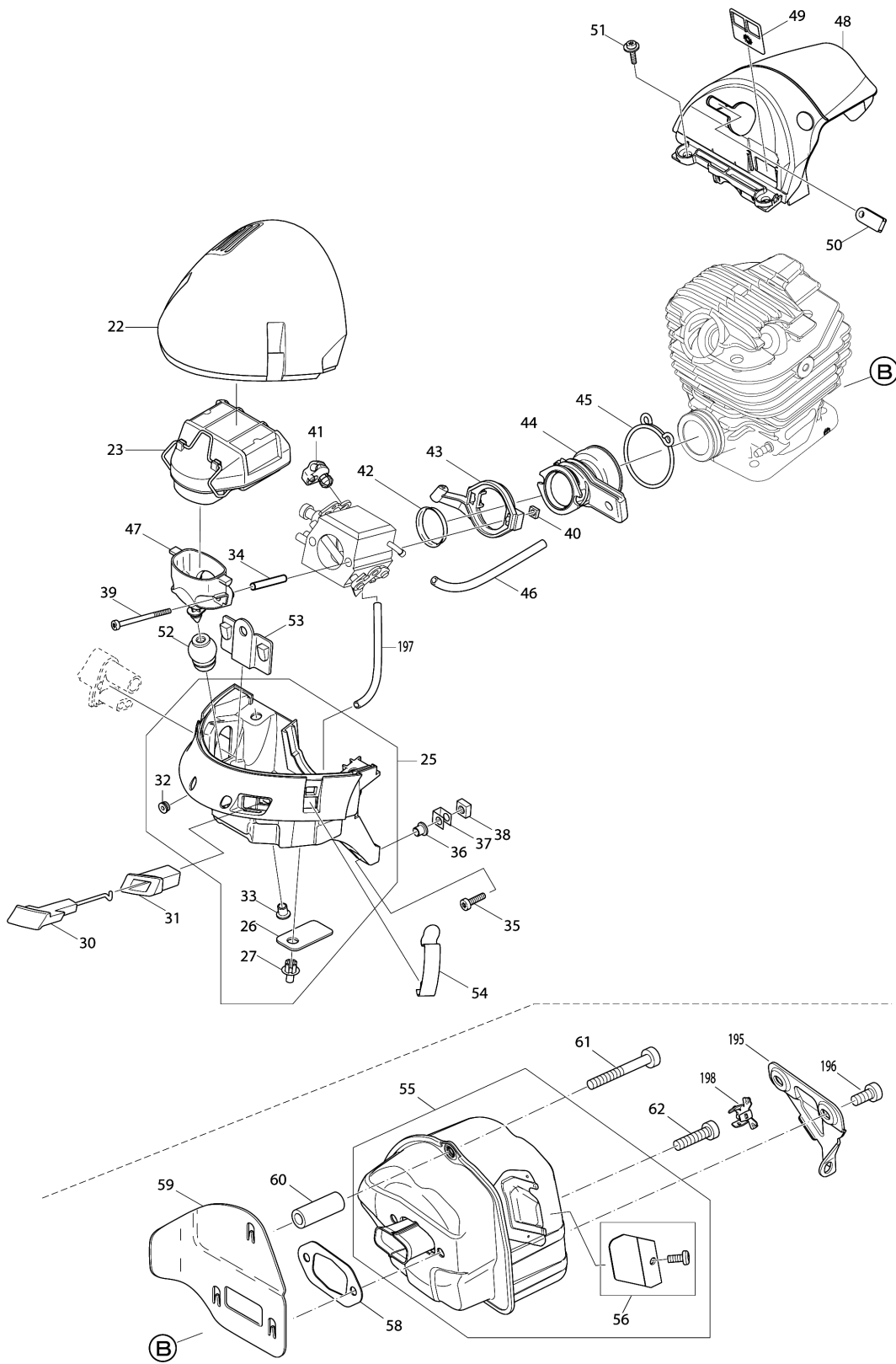


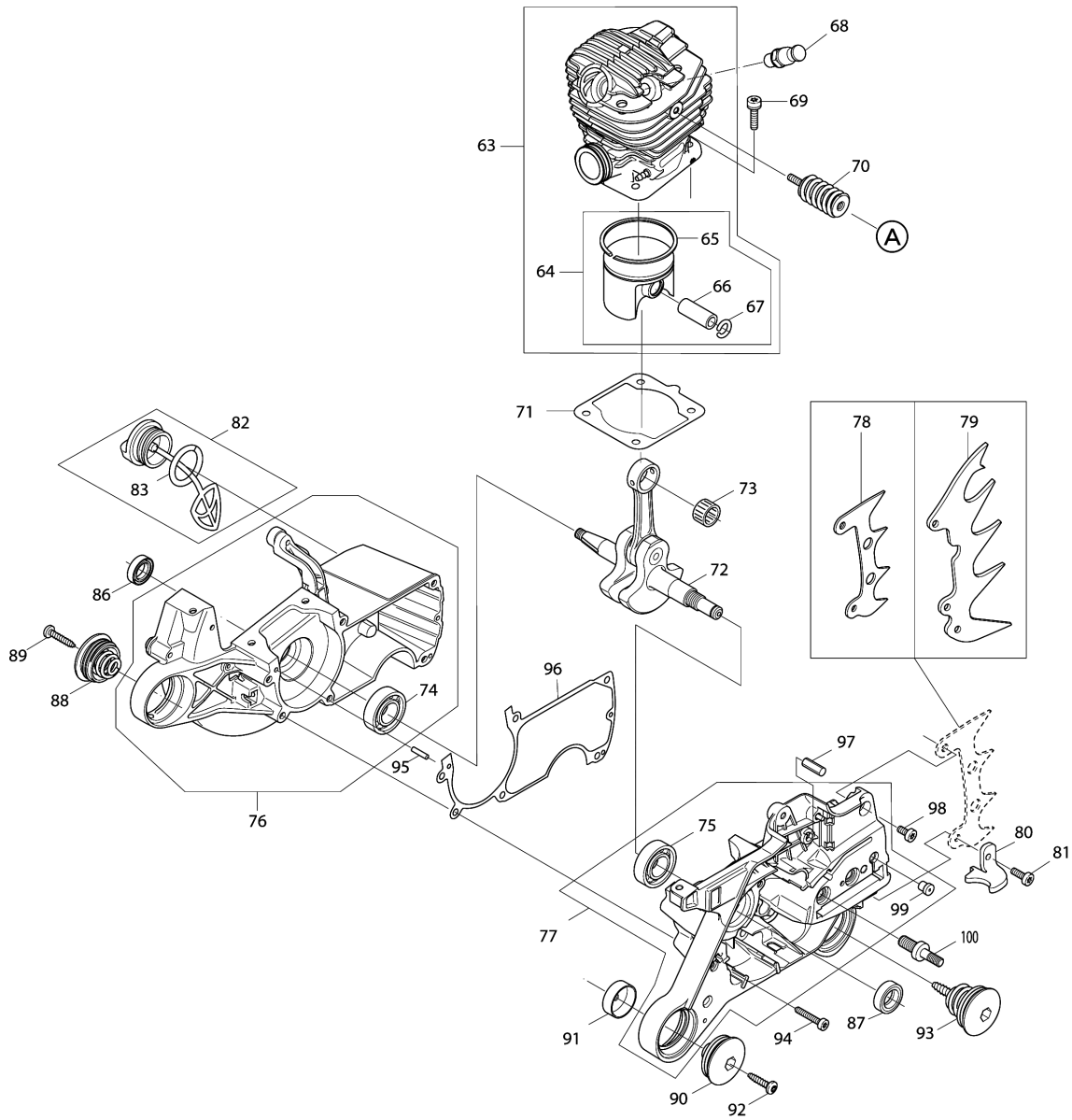
Model No.EA7300P PETROL CHAIN SAW



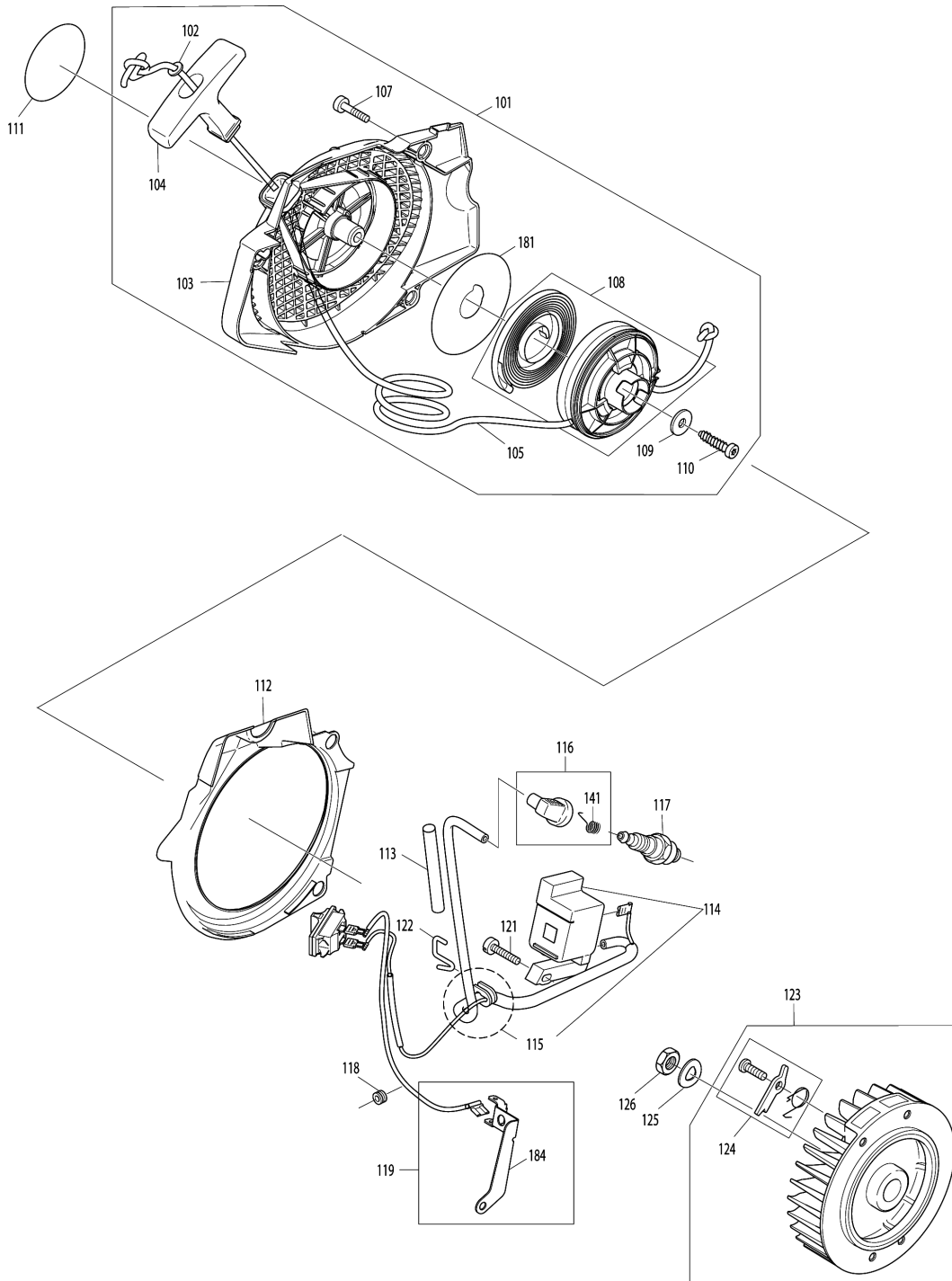
Model No.EA7300P PETROL CHAIN SAW



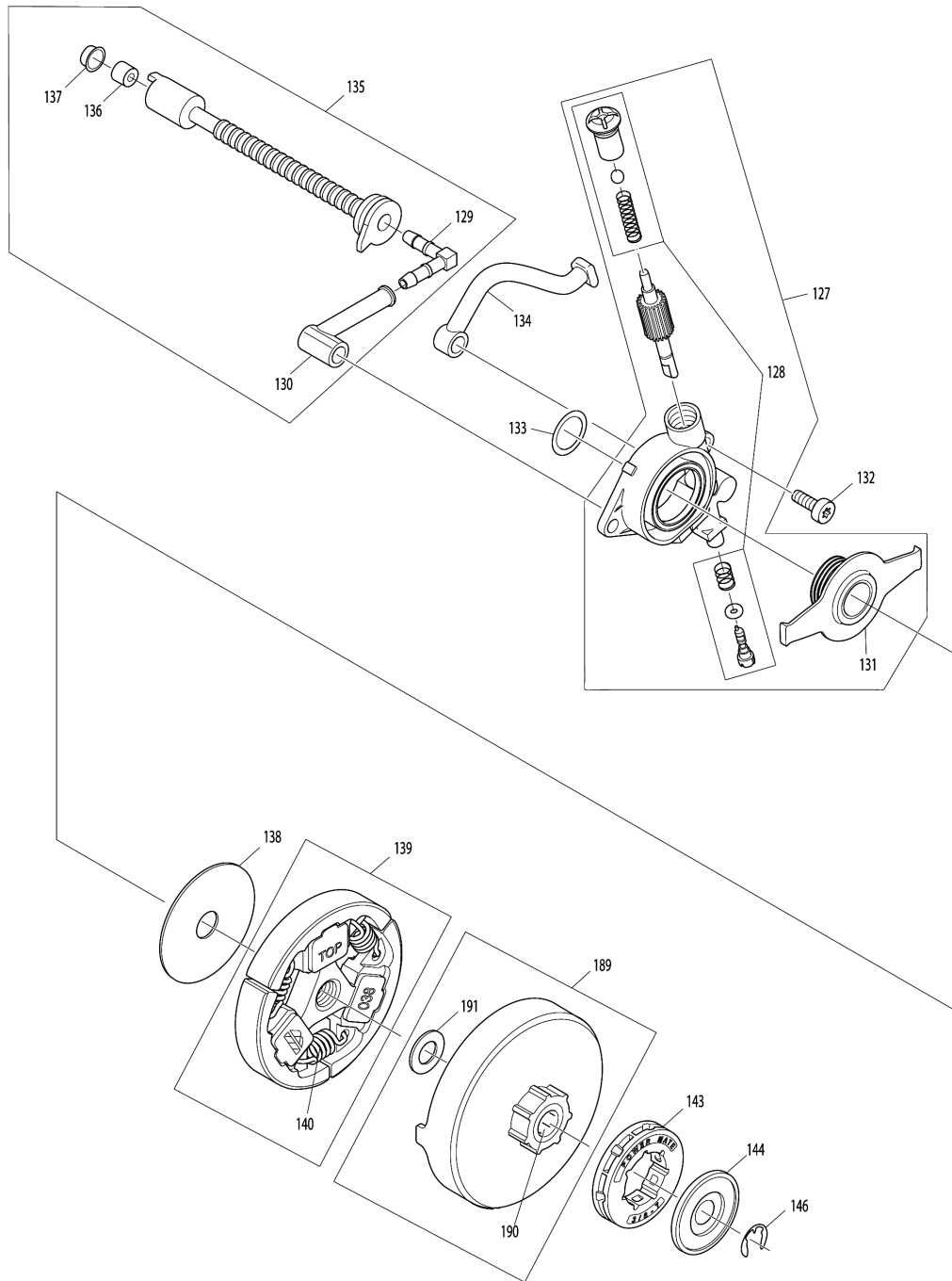
Model No.EA7300P PETROL CHAIN SAW



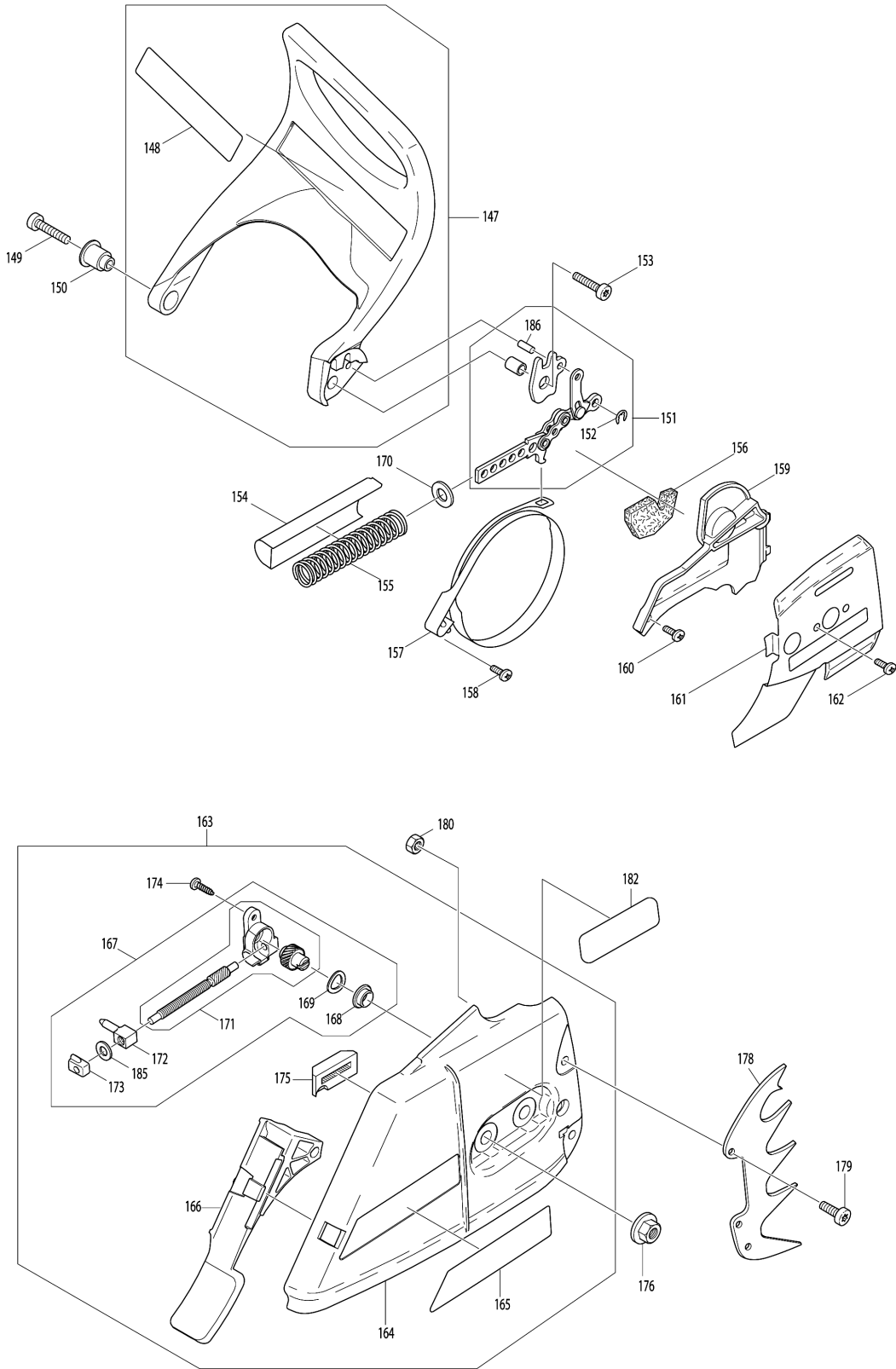
Model No.EA7300P PETROL CHAIN SAW



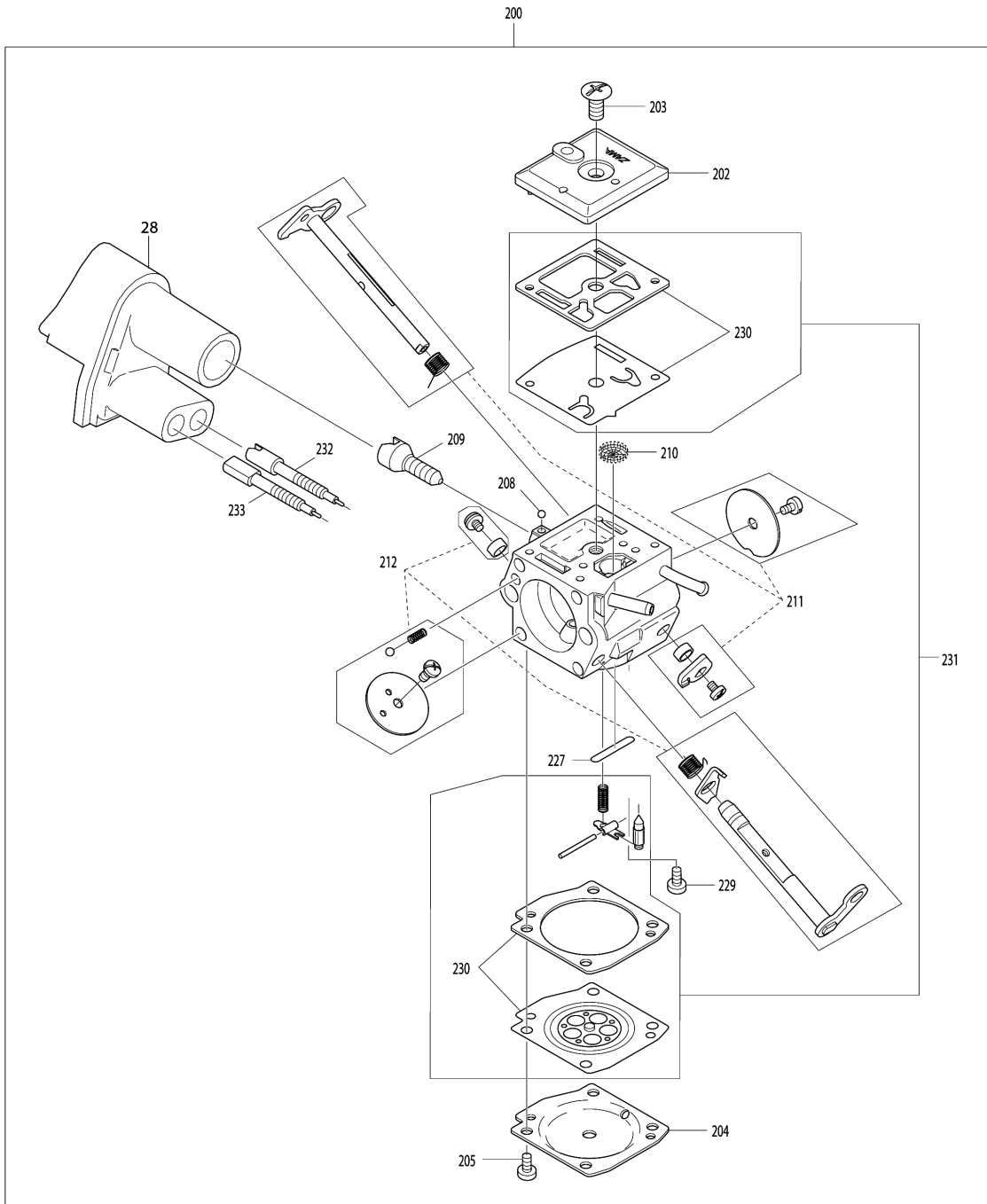
Model No.EA7300P PETROL CHAIN SAW



Model No.EA7300P PETROL CHAIN SAW



Model No.EA7300P PETROL CHAIN SAW



Model No.EA7300P PETROL CHAIN SAW

Item	Parts No.	Description	I/C	Qty	New/Old	Opt. 1	Opt. 2	Note
001	038310021	FRONT HANDLE ASSY		1	*			
001-1	140G06-9	TUBULAR HANDLE CPL.	O	1				
002	038310062	CLAMP		1				
003	908006145	H.L. SOCKET HEAD BOLT M6X14		1				
004	913455164	H.L. TAPPING SCREW 5.5X16		4	*			
004-1	266478-9	H.L.TAPPING SCREW 5.5X16	O	4				
005	038114660	TANK CPL.BLUE		1				
D10		INC. 6-16						
006	957114061	AIR VALVE CPL.		1				
007	038114631	GRIP PLATE BLUE		1				
008	038117020	CATCH LEVER		1				
009	038117030	ROCKER		1				
010	038117010	THROTTLE LEVER		1				
011	038117050	SPRING		1				
012	935930240	CYLINDRICAL PIN 3X24		1	*			
012-1	268233-5	PIN 3	O	1				
013	935930280	CYLINDRICAL PIN 3X28		1	*			
013-1	268335-7	PIN 3	O	1				
014	038117041	THROTTLE CONTROL CABLE		1				
015	913340204	H.L.SOCKET HEAD BOLT M4X20		1				
016	038114052	FUEL LINE FOR FUEL TANK		1				
017	975001241	SWITCH FOR ENGINE STOP		1				
018	010114050	TANK CAP ASSY		1				
D10		INC. 19						
019	963228030	O-RING 28		1				
020	010114010	SUCTION HEAD(FUEL)		1	*			
D10		INC. 21			*			
020-1	163499-1	SUCTION HEAD	O	1				
D10		INC. 21						
021	010114020	REP.KIT, FILTER(FELT ELEMENT)		1	*			
022	038118024	AIR FILTER ELEMENT COVER BLACK		1				
023	038173011	AIR FILTER ELEMENT NYLON MESH		1				
023A_	038173101	AIR FILTER ELEMENT FLEECE		1				
025	038118670	CARBURETOR HOUSING ASSY BLUE		1				
D10		INC. 26,27,32,33						
026	038118110	RUBBER FLAP		2				
027	938650062	RIVET		2				
028	038118085	ADJUSTING GUIDE		1				
030	038155052	CHOKE SHAFT		1				
031	038155020	CHOKE GUIDE		1				
032	038118300	RUBBER BUSH		1				
033	001118100	BUSHING		2	*			
033-1	326780-3	BUSH	O	2				

Please order the parts with part number.

Print Date 18/10/2023

Model No.EA7300P PETROL CHAIN SAW

Item	Parts No.	Description	I/C	Qty	New/Old	Opt. 1	Opt. 2	Note
034	038155060	SPACER 30MM		2				
035	908005205	H.L. SOCKET HEAD BOLT M5X20		2	*			
035-1	266476-3	H.L. SOCKET HEAD BOLT M5X20	O	2				
036	001118100	BUSHING		2	*			
036-1	326780-3	BUSH	O	2				
037	038111050	CLIP		2				
038	038111060	SQUARE NUT M5		2	*			
038-1	264108-6	SQUARE NUT M5	O	2				
039	908204555	H.L. SOCKET HEAD BOLT M4X55		2	*			
039-1	266944-6	H.L. SOCKET HEAD BOLT M4X55	O	2				
040	921804004	SQUARE NUT M4		2				
041	038155012	RETAINING CLIP		1				
042	038131031	INSERT FOR SUCTION HOSE		1				
043	038171041	FLANGE		1				
044	038131011	SUCTION HOSE		1				
045	038131070	CARBURETOR INSULATOR CLAMP		1	*			
045-1	233625-7	SPRING CLAMP	O	1				
046	965452382	OIL RESISTANT HOSE D=3MM L=1M		1				
047	038171012	CONNECTING MUFF		1				
048	038118050	ENGINE HOOD BLACK		1				
049	038118140	ANTI ICING PLATE		1				
050	038118130	CABLE GUIDE		1	*			
050-1	424751-5	CABLE GUIDE	O	1				
051	917105205	H.L. SOCKET HEAD BOLT M5X20		2				
052	038171031	HOLDER		1				
053	038118100	PLUG		1				
054	130118070	STEELCLIP		2	*			
054-1	347071-9	CLAMP	O	2				
055	038174700	MUFFLER (SLR)		1	*			
D10		INC. 56			*			
055-1	038174702	MUFFLER (SLR)		1				
D10		INC. 56						
056	038174920	SPARK ARRESTER SCREEN CPL.		1				
058	038174811	MUFFLER GASKET		1				
059	038174023	HEAT INSULATION PLATE		1				
060	038174030	SLEEVE 5 L=26.8MM		1	*			
060-1	325939-9	CONNECTING LINK	O	1				
061	908305405	H.L. SOCKET HEAD BOLT M5X40		1	*			
061-1	266943-8	H.L. SOCKET HEAD BOLT M5X40	O	1				
062	908405205	H.L. SOCKET HEAD BOLT M5X20		2	*			
062-1	266960-8	H.L. SOCKET HEAD BOLT M5X20	O	2				

Please order the parts with part number.

Print Date 18/10/2023

Model No.EA7300P PETROL CHAIN SAW

Item	Parts No.	Description	I/C	Qty	New/Old	Opt. 1	Opt. 2	Note
063	039130033	CYLINDER/PISTON CPL.		1	*			
D10		INC. 64			*			
063-1	039130034	CYLINDER 50 & PISTON SET.		1	*			
D10		INC. 64			*			
063-2	039130035	CYLINDER 50 & PISTON SET		1				
D10		INC. 64						
064	395132050	PISTON, PISTON RING & PIN SET		1	*			
D10		INC. 65-67			*			
064-1	395132051	PISTON CPL.		1	*			
D10		INC. 65-67			*			
064-2	395132100	PISTON COMPLETE		1				
D10		INC. 65-67						
065	394132020	PISTON RING 50MM		1	*			
065-1	257377-6	PISTON RING	O	1				
066	119132030	PISTON PIN		1	*			
066-1	257840-9	PISTON PIN	O	1				
067	038132080	CIRCLIP 12		2	*			
067-1	234359-5	CIRCLIP 12	O	2				
068	038118180	DECOMPRESSION VALVE VERSION 2		1				
069	908805235	H.L. SOCKET HEAD BOLT M5X23		4	*			
069-1	266473-9	H.L. SOCKET HEAD BOLT M5X23	O	4				
070	038114152	SPRING W.THREADED INSERT		1	*			
070-1	181114401	DAMPING SPRING,CPL.		1				
071	965531160	CYLINDER GASKET		1	*			
071-1	346873-0	GASKET	O	1				
072	038120200	CRANKSHAFT CPL.		1	*			
072-1	144974-6	CRANKSHAFT CPL. SLR	O	1				
073	962210121	NEEDLE CAGE		1	*			
073-1	212133-1	PISTON PIN BEARING 12X16X13	O	1				
074	960102152	BALL BEARING 6202		1	*			
074-1	211154-0	BALL BEARING 6202	O	1				
075	960102179	BALL BEARING 6203		1	*			
075-1	210212-9	BALL BEARING 6203	S	1				
076	038111660	CRANKCASE LEFT SIDE ASSY BLUE		1	*			
D10		INC. 74			*			
076-1	140R11-2	CRANKCASE MS BLUE COMPLETE	O	1				
D10		INC. 74						
077	038111641	CRANKCASE RIGHT SIDE ASSY BLUE		1	*			
D10		INC. 75,99			*			
077-1	140R10-4	CRANKCASE CS BLUE COMPLETE	S	1				
D10		INC. 75,99						
078	038250021	SPIKE BAR		1				

Please order the parts with part number.

Print Date 18/10/2023

Model No.EA7300P PETROL CHAIN SAW

Item	Parts No.	Description	I/C	Qty	New/Old	Opt. 1	Opt. 2	Note
080	038111171	CHAIN CATCH		1				
081	908805205	H.L. SOCKET HEAD BOLT M5X20		1	*			
081-1	266472-1	TORX SOCKET HEAD BOLT M5X20	O	1				
082	010114050	TANK CAP ASSY		1				
D10		INC. 83						
083	963228030	O-RING 28		1				
084	038310070	SPRING LIMITER		1				
086	962900052	OIL SEAL		1	*			
086-1	213814-0	RADIAL RING	O	1				
087	962900061	OIL SEAL		1				
088	038114130	SPRING CPL.WITH CAP		1				
089	913455204	H.L.TAPPING SCREW 5.5X20		1	*			
089-1	266475-5	H.L.TAPPING SCREW 5.5X20	O	1				
090	038114130	SPRING CPL.WITH CAP		1				
091	038114191	POT		1				
092	913455204	H.L.TAPPING SCREW 5.5X20		1	*			
092-1	266475-5	H.L.TAPPING SCREW 5.5X20	O	1				
093	038114141	SPRING CPL.WITH CAP		1				
094	908005305	H.L. SOCKET HEAD BOLT M5X30		6	*			
094-1	266945-4	H.L. SOCKET HEAD BOLT M5X30	O	6				
095	936430160	PIN 3X16		2	*			
095-1	258038-1	CLAMPING PIN	O	2	*			
095-2	258038-1	CLAMPING PIN	O	2				
096	038111042	GASKET		1				
097	934660250	SPRING PIN 6X24		1				
098	908005125	H.L. SOCKET HEAD BOLT M5X12		1	*			
098-1	908105126	H.L.S. FLAT HEAD BOLT M5X12		1	*			
098-2	266477-1	H.L. C.S. HEAD SCREW M5X12	O	1				
099	010245030	VENT VALVE		1	*			
099-1	168504-9	VENT VALVE	O	1	*			
099-2	168504-9	VENT VALVE	O	1				
100	038232011	GUIDE BAR BOLT M8		2				
101	038160615	STARTER ASSY BLUE		1				
D10		INC. 102-105,107-110,181						
102	928405000	SPRING WASHER 5		1	*			
102-1	267821-5	SPRING WASHER 5	O	1				
103	038112633	STARTER HOUSING BLUE		1				
104	001161020	STARTER GRIP		1				
105	108164020	STARTER ROPE 3.5MM (L=0.98M)		1				
107	908605205	H.L. SOCKET HEAD BOLT M5X20		3	*			
107-1	266942-0	H.L. SOCKET HEAD BOLT M5X20	O	3				
108	038162024	CABLE DRUM CPL.		1				

Please order the parts with part number.

Print Date 18/10/2023

Model No.EA7300P PETROL CHAIN SAW

Item	Parts No.	Description	I/C	Qty	New/Old	Opt. 1	Opt. 2	Note
109	924605510	WASHER 5.5/18X1.6		1				
110	913455204	H.L.TAPPING SCREW 5.5X20		1	*			
110-1	266475-5	H.L.TAPPING SCREW 5.5X20	O	1				
111	980115707	LABEL EA7300P		1				
112	038112060	AIR DUCT		1				
113	970502110	INSULATING TUBE 6 L=1M		1	*			
113-1	970502120	INSULATING TUBE	O	1				
114	038143200	IGNITION COIL		1				
D10		INC. 115						
115	038143030	GROMMET		1				
116	957604240	SPARK PLUG CAP CPL.		1				
D10		INC. 141						
117	965603021	SPARK PLUG BPMR7A		1	*			
117-1	168648-5	SPARK PLUG (BPMR7A)	O	1				
118	965401011	GROMMET		1				
119	957311590	EARTH SET		1				
D10		INC. 184						
121	908304205	H.L. SOCKET HEAD BOLT M4X20		2				
122	038111110	CLIP		1				
123	957141003	FLYWHEEL ASSY.		1				
D10		INC. 124						
124	108166051	STARTER RATCHET SET(2PCS EACH)		1	*			
124-1	038166050	STARTER RATCHET SET(2PCS EACH)		1				
125	926208001	SPRING WASHER 8		1	*			
125-1	267822-3	SPRING WASHER 8	O	1				
126	920208024	HEX. NUT M8X1(FINE THREAD)		1	*			
126-1	264107-8	HEXAGONAL NUT M8	O	1				
127	038245011	OIL PUMP CPL.		1				
D10		INC. 128,131						
128	030245070	OIL PUMP REPAIR SET		1				
129	001245140	ANGULAR NIPPLE		1				
130	038245110	OIL LINE		1				
131	038245031	PUMP DRIVE		1				
132	908005125	H.L. SOCKET HEAD BOLT M5X12		2	*			
132-1	266946-2	H.L. SOCKET HEAD BOLT M5X12	O	2				
133	038224021	WASHER		1				
134	038245061	OIL LINE		1				
135	038245020	SUCTION LINE OIL CPL.		1				
D10		INC. 129,130,136,137						
136	900005066	WEIGHT RING		1				
137	963601100	SCREEN		1				
138	001182042	DISC		1	*			
138-1	267389-1	FLAT WASHER 12	O	1				

Please order the parts with part number.

Print Date 18/10/2023

Model No.EA7300P PETROL CHAIN SAW

Item	Parts No.	Description	I/C	Qty	New/Old	Opt. 1	Opt. 2	Note
139	038180012	CLUTCH ASSY.		1	*			
D10		INC. 140			*			
139-1	127671-9	CLUTCH ASSEMBLY	O	1				
D10		INC. 140						
140	024184021	TENSION SPRING		3	*			
140-1	232352-3	TENSION SPRING 6	O	3				
141	965604180	PLUG CAP SPRING		1	*			
141-1	234358-7	TERMINAL SPRING	O	1				
143	119224070	RIM SPROCKET 3/8" SD7-7		1				
144	181224081	WASHER 29		1	*			
144-1	267820-7	WASHER 29	O	1				
146	927408000	STOP RING E-8		1	*			
146-1	259045-7	STOP RING E-8	O	1				
147	038213221	HAND GUARD CPL.		1	*			
D10		INC. 148			*			
147-1	140H68-3	HAND GUARD COMPLETE	<	1	*			
D10		INC. 148			*			
147-2	140X39-6	HAND GUARD COMPLETE	O	1				
D10		INC. 148						
148	185114237	LABEL		1	*			
148-1	818M49-2	CAUTION LABEL	X	1	*			
148-2	818N32-5	CAUTION LABEL	>	1				
149	908405205	H.L SOCKET HEAD BOLT M5X20		1	*			
149-1	266960-8	H.L. SOCKET HEAD BOLT M5X20	O	1				
150	038213160	BUSHING		1				
151	957213030	BRAKE LINK PLATE COMPLETE		1	*			
D10		INC. 152,186			*			
151-1	957213031	BRAKE LINK PLATE COMPLETE	<	1				
D10		INC. 152,186						
152	927304000	STOP RING E-4		1	*			
152-1	257934-0	STOP RING E-4	O	1				
153	908805205	H.L. SOCKET HEAD BOLT M5X20		1	*			
153-1	266472-1	TORX SOCKET HEAD BOLT M5X20	O	1				
154	038213152	POT		1				
155	038213130	SPRING		1				
156	038213200	FORM SPONGE		1				
157	038213010	BRAKE SPRING		1				
158	915535100	TAPPING SCREW 3.5X9.5		1	*			
158-1	251480-5	TAPPING SCREW ST3.5X9.5	O	1				
159	038213040	PLATE		1				
160	915535100	TAPPING SCREW 3.5X9.5		1	*			
160-1	251480-5	TAPPING SCREW ST3.5X9.5	O	1				
161	038111030	GUIDE PLATE		1				

Please order the parts with part number.

Print Date 18/10/2023

Model No.EA7300P PETROL CHAIN SAW

Item	Parts No.	Description	I/C	Qty	New/Old	Opt. 1	Opt. 2	Note
162	915535100	TAPPING SCREW 3.5X9.5		2	*			
162-1	251480-5	TAPPING SCREW ST3.5X9.5	O	2				
163	038213641	SPROCKET GUARD CPL.BLUE		1				
D10		INC. 164-167,174,175						
164	038213635	SPROCKET GUARD BLUE		1				
165	980115197	MAKITA LOGO LABEL BLUE		1				
166	038213190	CHIP GUIDE		1				
167	957213023	CHAIN TENSIONER CPL.		1				
D10		INC. 168,169,171-173,185						
168	038213080	BUSHING		1				
169	038213230	WAVE WASHER 8		1				
170	028213012	WASHER 12X9		1				
171	957213040	CHAIN TENSIONER GEAR SET		1				
172	038213091	CHAIN TENSIONER NUT		1				
173	038213070	CHAIN TENSIONER BEARING		1				
174	915535100	TAPPING SCREW 3.5X9.5		1	*			
174-1	251480-5	TAPPING SCREW ST3.5X9.5	O	1				
175	024213240	CHAIN GUIDE		1				
176	923208004	HEX. FLANGE NUT M8(BAR NUT)		2	*			
176-1	252145-2	COLLARED HEX NUT M8	O	2				
181	038162050	SPACER		1				
184	038111150	CLAMP		1				
185	924104300	WASHER 4.3		1				
186	935940100	CYLINDRICAL PIN 4X10		1				
189	957223092	CLUTCH DRUM CPL.		1				
D10		INC. 190,191						
190	962300009	NEEDLE BEARING		1	*			
190-1	212082-2	NEEDLE BEARING 1012	O	1				
191	038223100	SPACER WASHER		1				
195	038174400	MUFFLER HOLDER PLATE		1				
196	909005105	H.L. SOCKET HEAD BOLT M5X10		2	*			
196-1	266612-1	H.L. SOCKET HEAD BOLT M5X10	O	2				
197	965452382	OIL RESISTANT HOSE D=3MM L=1M		1				
200	038153515	CARBURETOR (REGULATED MARKET)		1				
D10		INC. 28,202-205,208-212,227,						
D20		INC. 229,231-233						
202	038153030	PUMP COVER		1				
203	038153360	SCREW		1				
204	038153540	DIAPHRAGM COVER ASSY		1				
205	001153020	SCREW		4				
208	038153210	LOCKING BALL		1				
209	038153220	IDLE STOP SCREW		1				
210	036153040	SCREEN		1				

Please order the parts with part number.

Print Date 18/10/2023

Model No.EA7300P PETROL CHAIN SAW

Item	Parts No.	Description	I/C	Qty	New/Old	Opt. 1	Opt. 2	Note
211	038153570	KIT THROTTLE SHAFT		1				
212	038153580	KIT CHOKE SHAFT		1				
227	038153350	COVER PLATE		1				
229	028153200	SCREW		1				
230	038153550	DIAPHRAGM & GASKETS		1				
231	038153560	REBUILD KIT		1				
D10		INC. 230						
232	038153232	IDLE ADJUSTMENT SCREW L		1				
233	038153301	MAIN ADJUSTMENT SCREW H (DD)		1				
A11	957004002	TOOL COMPLETE		1	*			
D10		INC. A12-A15			*			
A11-1	198692-8	TOOL KIT	O	1				
D10		INC. A12-A15						
A12	941719133	UNIVERSAL WRENCH 13/19		1	*			
A12-1	782033-4	UNIVERSAL WRENCH 13/19	O	1				
A13	940827000	HEXALOBULAR ANGLED DRIVER T27		1	*			
A13-1	782025-3	TORX WRENCH	O	1				
A14	944340001	SCREW DRIVER		1	*			
A14-1	783012-5	SCREWDRIVER	O	1				
A15	950004002	PLASTIC BAG		1	*			
A15-1	831340-3	TOOL BAG	O	1				
B01	010114039	SET OF SPRINGS		1				
D10		INC. 2,70,88,90,93						

Please order the parts with part number.

Print Date 18/10/2023