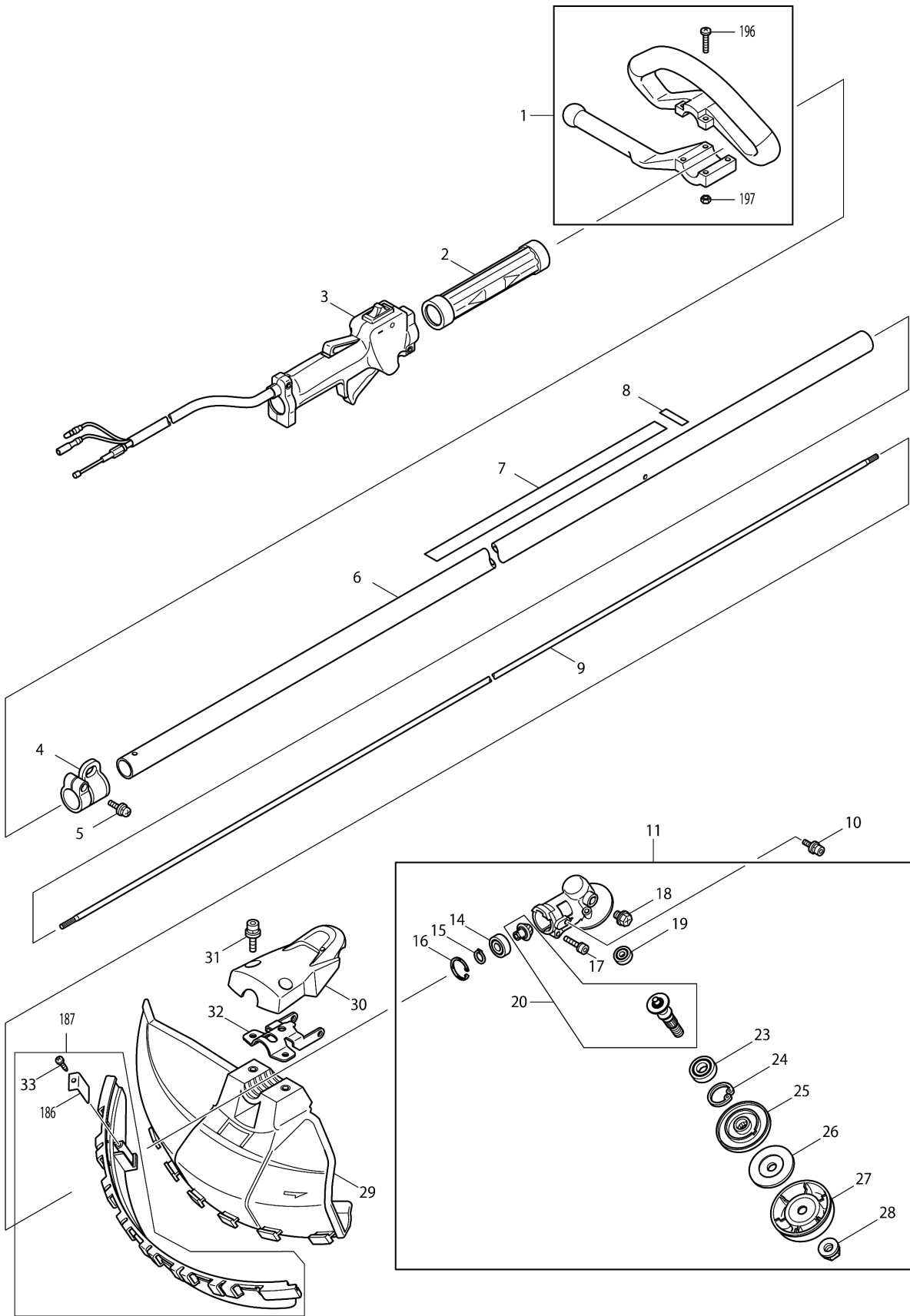
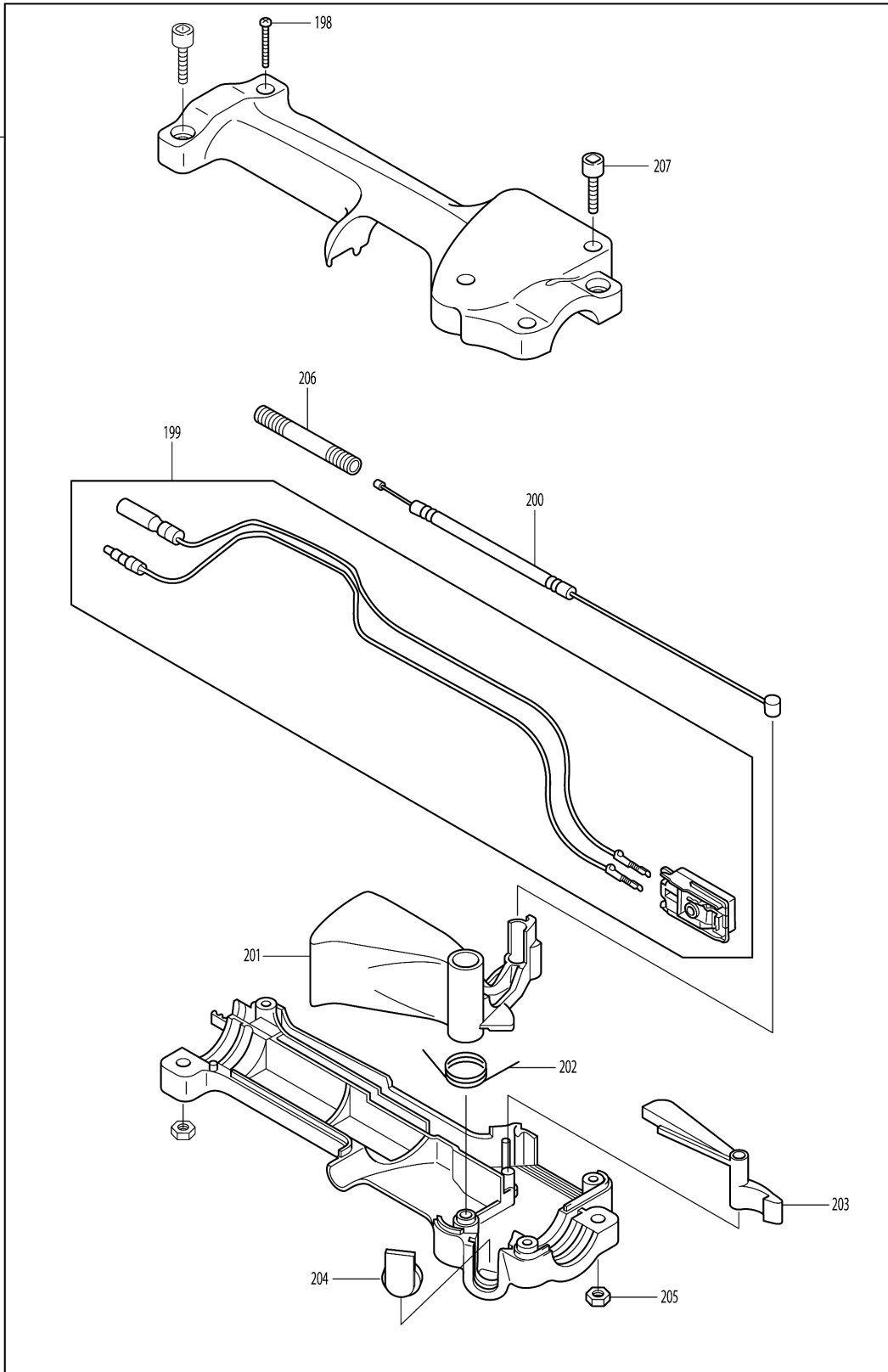


Model No.EBH253L BRUSH CUTTER

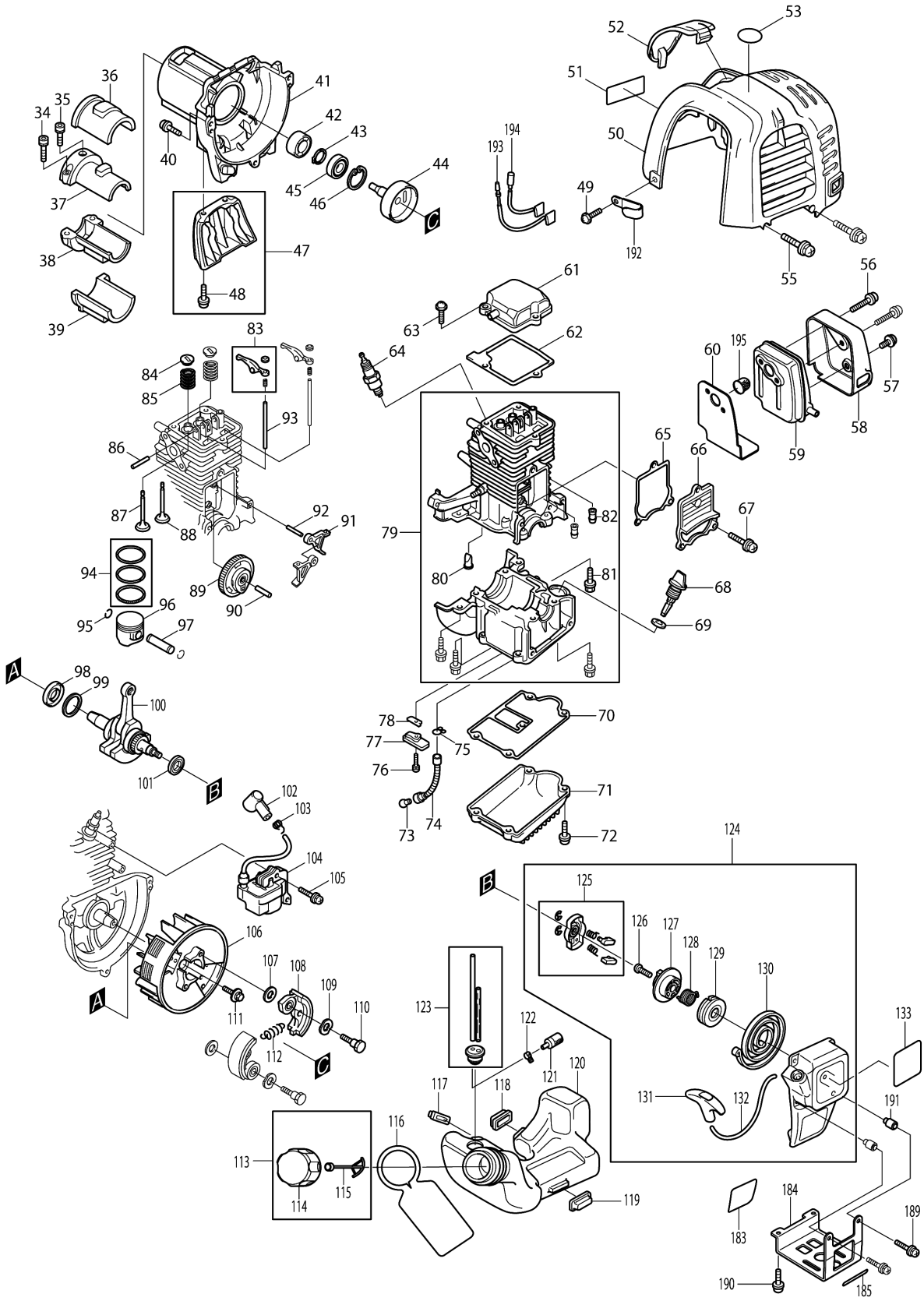


Model No.EBH253L BRUSH CUTTER

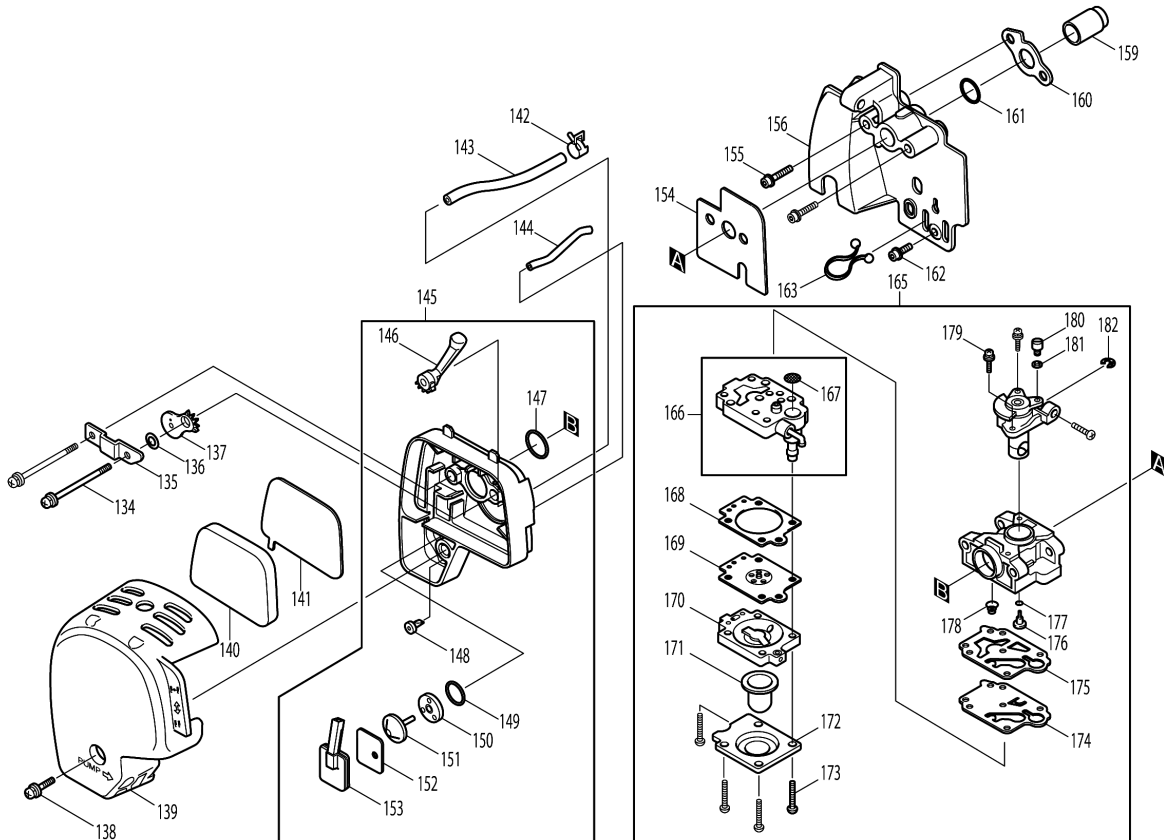
3



Model No.EBH253L BRUSH CUTTER



Model No.EBH253L BRUSH CUTTER



Model No.EBH253L BRUSH CUTTER

Item	Parts No.	Description	I/C	Qty	New/Old	Opt. 1	Opt. 2	Note
001	125567-8	HANDLE ASSEMBLY		1	*			
001-1	195215-3	LOOP HANDLE SET	S	1	*			
D10		INC. 224-226			*			
001-2	195215-3	LOOP HANDLE SET	<	1				
C10	783014-1	+ SCREW DRIVER 2		1				
D10		INC. 224-226						
002	450659-7	SPACER		1	*			
002-1	451601-1	SPACER 24	S	1				
003	125495-7	CONTROL LEVER ASSEMBLY		1	*			
003-1	125759-9	CONTROL LEVER ASSEMBLY	S	1	*			
D10		INC. 208-223			*			
003-2	126487-9	CONTROL LEVER ASSEMBLY	<	1				
D10		INC. 208-223						
004	195143-2	HANGER SET		1				
D10		INC. 5						
005	911233-1	PAN HEAD SCREW M5X20		1				
006	140041-5	SHAFT PIPE COMPLETE		1				
007	810537-7	CAUTION LABEL		1				
008	806904-2	SERIAL NO. LABEL		1	*			
008-1	819760-1	DATE CODE LABEL	<	1	*			
008-2	814A82-0	DATE CODE LABEL	X	1	*			
008-3	801D19-4	SERIAL NO. LABEL	<	1				
009	324893-4	SHAFT		1	*			
009-1	327056-1	SHAFT	O	1				
010	922218-2	H.S.H.BOLT M5X14 WITH WR		2	*			
010-1	922206-9	HEX. SOCKET HEAD BOLT M5X10	>	2				
011	125556-3	GEAR CASE ASSEMBLY		1	*			
D10		INC. 14-20,23-28			*			
011-1	123833-7	GEAR CASE ASSEMBLY	S	1	*			
D10		INC. 14-16,18-20,23-28			*			
011-2	123833-7	GEAR CASE ASSEMBLY	O	1				
D10		INC. 14-16,18-20,23-28						
014	210049-4	BALL BEARING 609ZZ		1	*			
014-1	210157-1	BALL BEARING 609ZZ	O	1				
015	961005-4	RETAINING RING S-9		1	*			
015-1	257986-1	RETAINING RING (EXT) S-9	O	1				
016	962103-7	RETAINING RING R-24		1	*			
016-1	257987-9	RETAINING RING (INT)R-24	O	1				
017	922241-7	HEX. SOCKET HEAD BOLT M5X25		1				
018	265590-2	+HEX.BOLT M8X10 WITH R		1				
019	211019-6	BALL BEARING 626		1	*			
020	188866-9	CUTTER SHAFT SET		1	*			
020-1	188902-1	CUTTER SHAFT SET	S	1	*			
020-2	183A00-2	CUTTER SHAFT SET	O	1	*			

Please order the parts with part number.

Print Date 18/10/2023

Model No.EBH253L BRUSH CUTTER

Item	Parts No.	Description	I/C	Qty	New/Old	Opt. 1	Opt. 2	Note
020-3	183K10-9	CUTTER SHAFT SET	O	1				
023	210115-7	BALL BEARING 6001LLU		1				
024	962106-1	RETAINING RING R-28		1	*			
024-1	257407-3	RETAINING RING (INT)R-28	O	1				
025	331861-0	RECEIVE WASHER		1	*			
025-1	326821-5	RECEIVE WASHER	O	1				
026	346084-7	CLAMP WASHER		1				
027	168526-9	CUP		1				
028	264025-0	HEX. NUT M10-17		1				
029	451098-4	PROTECTOR		1	*			
029-1	452260-4	PROTECTOR	S	1				
030	451097-6	PROTECTOR COVER		1	*			
031	922353-6	HEX.SOCKET HEAD BOLT M6X30		2	*			
031-1	266579-3	HEX SOCKET HEAD BOLT M6X30	<	2	*			
031-2	266280-0	HEX. SOCKET HEAD BOLT M6X25	>	2				
032	346073-2	PROTECTOR CLAMP		1	*			
032-1	347012-5	PROTECTOR CLAMP 24	S	1				
033	266326-2	TAPPING SCREW 4X18		1				
034	922226-3	HEX. SOCKET HEAD BOLT M5X18		2				
035	922211-6	H.S.H.BOLT M5X12 WITH W		1				
036	424191-7	PIPE DAMPER 1		1				
037	318270-0	PIPE BRACKET 1		1				
038	318271-8	PIPE BRACKET 2		1				
039	424107-2	PIPE DAMPER 2		1				
040	265191-6	PAN HEAD SCREW M5X18		3	*			
040-1	922222-1	HEX. SOCKET HEAD BOLT M5X16	X	3				
041	318329-3	CLUTCH CASE		1				
042	450569-8	SPACER		1	*			
042-1	450569-8	SPACER	O	1				
043	961052-5	RETAINING RING S-12		1				
044	168475-0	CLUTCH DRUM		1	*			
044-1	168809-7	CLUTCH DRUM COMPLETE	O	1	*			
044-2	168809-7	CLUTCH DRUM COMPLETE	O	1				
045	210111-5	BALL BEARING 6201LLU		1	*			
045-1	210111-5	BALL BEARING 6201LLU	O	1				
046	962151-6	RETAINING RING R-32		1				
047	195144-0	STAND SET		1				
D10		INC. 48						
048	911218-7	PAN HEAD SCREW M5X14		2				
049	265187-7	PAN HEAD SCREW M5X12		2	*			
049-1	911213-7	PAN HEAD SCREW M5X12	O	2				
050	450654-7	CYLINDER COVER		1				
051	819312-8	MAKITA LOGO LABEL		1				

Please order the parts with part number.

Print Date 18/10/2023

Model No.EBH253L BRUSH CUTTER

Item	Parts No.	Description	I/C	Qty	New/Old	Opt. 1	Opt. 2	Note
052	450568-0	PLUG COVER		1	*			
052-1	452144-6	PLUG COVER	O	1				
053	808633-3	4STROKE INDICATION LABEL		1	*			
055	265189-3	PAN HEAD SCREW M4X16		2	*			
055-1	911128-8	P.H.SCREW M4X16 WITH WR	O	2				
056	266440-4	HEX SOCKET HEAD BOLT M5X40		2				
057	265184-3	+TRUSS HEAD SCREW M5X5		1				
058	345915-7	MUFFLER COVER		1				
059	168469-5	EXHAUST MUFFLER		1				
060	345916-5	MUFFLER GASKET		1				
061	140023-7	ROCKER COVER COMPLETE		1	*			
061-1	140B46-7	ROCKER COVER COMPLETE	<	1				
062	162275-0	ROCKER COVER GASKET		1				
063	266494-1	+ PAN HEAD SCREW M5X16		3	*			
063-1	922223-9	H.S.H.BOLT M5X16 WITH WR	X	3				
064	168534-0	SPARK PLUG		1				
065	162274-2	CAM GEAR COVER GASKET		1				
066	318443-5	CAM GEAR COVER		1				
067	911218-7	PAN HEAD SCREW M5X14		3	*			
067-1	266495-9	HEX.SOCKET HEAD BOLT M5X14	X	3	*			
067-2	922217-4	HEX. SOCKET HEAD BOLT M5X14	O	3				
068	450565-6	OIL GAUGE		1				
069	424100-6	GASKET		1				
070	162276-8	CASE GASKET		1				
071	318442-7	OIL CASE		1				
072	265186-9	PAN HEAD SCREW M5X18		4	*			
072-1	266495-9	HEX.SOCKET HEAD BOLT M5X14	X	4	*			
072-2	922217-4	HEX. SOCKET HEAD BOLT M5X14	O	4				
073	325666-8	OIL WEIGHT		1				
074	424202-8	OIL TUBE		1				
075	282020-8	HOSE CLAMP		1				
076	266493-3	HEX.SOCKET HEAD BOLT M4X10		1	*			
076-1	922111-0	HEX. SOCKET HEAD BOLT M4X10	O	1	*			
076-2	922112-8	HEX. SOCKET HEAD BOLT M4X10	O	1				
077	318440-1	RETAINER PLATE		1				
078	346083-9	LEAD VALVE		1				
079	135375-9	CYLINDER BLOCK ASSEMBLY		1				
D10		INC. 80-82						
080	424201-0	CHECK VALVE		2				
081	266495-9	HEX.SOCKET HEAD BOLT M5X14		8	*			
081-1	922217-4	HEX. SOCKET HEAD BOLT M5X14	O	8				

Please order the parts with part number.

Print Date 18/10/2023

Model No.EBH253L BRUSH CUTTER

Item	Parts No.	Description	I/C	Qty	New/Old	Opt. 1	Opt. 2	Note
082	424200-2	SPACER		2				
083	125554-7	ROCKER ARM ASSEMBLY		2				
084	325668-4	SPRING RETAINER		2				
085	234108-0	COMPRESSION SPRING 9		2				
086	256200-2	PIN 5		1				
087	325670-7	INTAKE VALVE		1	*			
087-1	326367-1	INTAKE VALVE	O	1				
088	325669-2	EXHAUST VALVE		1	*			
088-1	326366-3	EXHAUST VALVE	O	1				
089	125552-1	CAM GEAR ASSEMBLY		1				
090	268238-5	PIN 5		1				
091	313169-4	CAM LIFTER		2				
092	268239-3	PIN 4		1				
093	256865-0	ROD 2.5		2				
094	195145-8	PISTON RING SET		1	*			
094-1	196595-0	PISTON RING SET	O	1				
095	233976-8	CLIP		2				
096	318441-9	PISTON		1	*			
096-1	197453-3	PISTON SET	<	1				
C10	318441-9	PISTON		1				
D10		INC. 94,95						
097	257781-9	PISTON PIN		1				
098	213147-3	OIL SEAL 12		1	*			
098-1	213089-1	OIL SEAL 12	<	1				
099	267400-9	FLAT WASHER 23		1				
100	135374-1	CRANKSHAFT ASSEMBLY		1	*			
100-1	135539-5	CRANKSHAFT ASSEMBLY	O	1				
101	213148-1	OIL SEAL 10		1	*			
101-1	213769-9	OIL SEAL 10	<	1				
102	424105-6	PLUG CAP		1				
103	324891-8	PLUG CAP SPRING		1				
104	168501-5	IGNITION COIL		1	*			
104-1	168816-0	IGNITION COIL	S	1				
105	911139-3	PAN HEAD SCREW M4X20 WG		2	*			
105-1	922138-0	H.S.H.BOLT M4X20 WITH WR	X	2				
106	318343-9	FLYWHEEL		1	*			
106-1	319012-5	FLYWHEEL	O	1				
107	267812-6	WASHER 6		2				
108	168498-8	CLUTCH SHOE		2	*			
108-1	161332-1	CLUTCH SHOE	O	2				
109	267817-6	WASHER 8		2				
110	266457-7	SHOULDER HEX. BOLT M6X25		2	*			
110-1	266864-4	SHOULDER HEX. BOLT M6X25	O	2				
111	265577-4	HEX HEAD BOLT M6X16		1				
112	231858-8	TENSION SPRING 6		1	*			

Please order the parts with part number.

Print Date 18/10/2023

Model No.EBH253L BRUSH CUTTER

Item	Parts No.	Description	I/C	Qty	New/Old	Opt. 1	Opt. 2	Note
112-1	231881-3	TENSION SPRING 7	<	1				
113	125472-9	FUEL TANK CAP ASSEMBLY		1	*			
D10		INC. 114,115			*			
113-1	127108-6	FUEL TANK CAP ASSEMBLY	O	1				
D10		INC. 114,115						
114	140435-4	FUEL TANK CAP		1	*			
114-1	127109-4	FUEL TANK CAP ASSEMBLY	O	1				
115	140436-2	STRAP COMPLETE		1				
116	810455-9	CAUTION PLATE		1				
117	424102-2	PLATE		1				
118	424103-0	PLATE		1				
119	424104-8	DAMPER		1				
120	450566-4	FUEL TANK		1				
121	163447-0	FUEL FILTER		1	*			
121-1	163447-0	FUEL FILTER	O	1				
122	345920-4	HOSE CLAMP		1				
123	168472-6	TUBE COMPLETE		1				
124	195147-4	RECOIL STARTER SET		1				
D10		INC. 125-132						
125	168471-8	PULLEY		1				
126	266585-8	TAPPING SCREW 5X12		1				
127	451940-9	CAM PLATE		1				
128	233984-9	DAMPER SPRING		1	*			
128-1	233578-0	DAMPER SPRING	O	1				
129	451939-4	REEL		1				
130	232258-5	SPIRAL SPRING		1				
131	424319-7	STARTER KNOB		1				
132	444020-8	STARTER ROPE		1				
133	809116-6	EBH253L MODEL NO. LABEL		1				
134	265188-5	+PAN HEAD SCREW M5X68		2				
135	345919-9	PLATE		1				
136	423376-2	GASKET		1				
137	450560-6	CHOKE PLATE		1				
138	911218-7	PAN HEAD SCREW M5X14		1				
139	450561-4	AIR CLEANER COVER		1				
140	443141-3	AIR CLEANER ELEMENT		1				
141	443140-5	AIR CLEANER ELEMENT		1				
142	345918-1	HOSE CLAMP		1				
143	422041-0	BREATHER PIPE		1				
144	422042-8	PIPE		1				
145	125468-0	CLEANER PLATE ASSEMBLY		1	*			
C10	140814-6	AIR CLEANER PLATE COMPLETE		1	*			
D10		INC. 146-153			*			
145-1	123845-0	CLEANER PLATE ASSEMBLY	O	1				

Please order the parts with part number.

Print Date 18/10/2023

Model No.EBH253L BRUSH CUTTER

Item	Parts No.	Description	I/C	Qty	New/Old	Opt. 1	Opt. 2	Note
C10	140814-6	AIR CLEANER PLATE COMPLETE		1	*			
C11	455407-9	AIR CLEANER PLATE	X	1				
D10		INC. 146-153						
146	451925-5	CHOKE LEVER		1	*			
146-1	457241-3	CHOKE LEVER	X	1				
147	213540-1	O RING 15		1	*			
147-1	213094-8	O RING 15	X	1				
148	424316-3	CHECK VALVE		1	*			
148-1	424938-9	CHECK VALVE	X	1				
149	213539-6	O RING 14		1	*			
149-1	213093-0	O RING 14	X	1				
150	451924-7	CHECK VALVE PLATE		1	*			
150-1	457240-5	CHECK VALVE PLATE	X	1				
151	424315-5	CHECK VALVE		1	*			
151-1	424937-1	CHECK VALVE	X	1				
152	168577-2	SEPARATOR GASKET		1	*			
152-1	161572-1	SEPARATOR GASKET	X	1				
153	168576-4	SEPARATOR PLATE		1	*			
153-1	161571-3	SEPARATOR PLATE	X	1				
154	413121-3	CARBURETOR GASKET		1				
155	922228-9	H.S.H.BOLT M5X18 WITH WR		2				
156	450559-1	INSULATOR		1				
159	324961-3	INTAKE PIPE		1				
160	413120-5	INSULATOR GASKET		1				
161	213078-6	O-RING 10		1				
162	922213-2	H.S.H.BOLT M5X12 WITH WR		1				
163	450562-2	CLAMP		1				
165	168497-0	CARBURETOR		1				
D10		INC. 166,168-182						
166	140437-0	PUMP BODY		1				
D10		INC. 167						
167	352010-6	INLET SCREEN		1	*			
167-1	WJ00014070	INLET SCREEN	O	1				
168	442154-1	METERING DIAPHRAGM GASKET		1				
169	168574-8	METERING DIAPHRAGM		1	*			
169-1	WJ00963279	SCREW	O	1	*			
169-2	WJ00095586	DIAPHRAGM ASS'Y	X	1				
170	140438-8	AIR PURGE BODY		1				
171	424314-7	PRIMER PUMP		1				
172	346270-0	PRIMER PUMP COVER		1				
173	266582-4	TAPPING SCREW 3X24		4				
174	168575-6	PUMP DIAPHRAGM		1	*			
174-1	WJ00009599	PUMP DIAPHRAGM	O	1				
175	442155-9	PUMP GASKET		1				

Please order the parts with part number.

Print Date 18/10/2023

Model No.EBH253L BRUSH CUTTER

Item	Parts No.	Description	I/C	Qty	New/Old	Opt. 1	Opt. 2	Note
176	325924-2	JET		1				
177	213538-8	O RING 2		1				
178	234183-6	CONICAL COMPRESSION SPRING 5-9		1				
179	266581-6	PAN HEAD SCREW M3X8 WITH W		2	*			
179-1	WJ00096364	SCREW M3X8 WITH WASHER	O	2				
180	325922-6	SWIVEL		1				
181	413140-9	WASHER		1				
182	257964-1	STOP RING E-3		1				
183	806902-6	GAS EMISSION APPROVAL LABEL		1	*			
183-1	806902-6	GAS EMISSION APPROVAL LABEL	O	1	*			
184	345964-4	TANK GUARD		1				
185	806903-4	SERIAL NO. LABEL		1	*			
185-1	814998-3	SERIAL LABEL	<	1				
186	346074-0	CUTTER		1	*			
186-1	347050-7	CUTTER	<	1				
187	135361-0	PROTECTOR EXTENSION ASSY		1	*			
D10		INC. 33,186			*			
187-1	135398-7	PROTECTOR EXTENSION ASSY	S	1	*			
D10		INC. 33,186			*			
187-2	135753-3	PROTECTOR EXTENSION ASSY	<	1				
D10		INC. 33,186						
189	911148-2	PAN HEAD SCREW M4X25		2				
190	265187-7	PAN HEAD SCREW M5X12		2	*			
190-1	911213-7	PAN HEAD SCREW M5X12	O	2				
191	331835-1	SPACER		2				
192	345963-6	CLAMP		1				
193	638664-6	LEAD UNIT		1	*			
193-1	632E38-3	LEAD UNIT	S	1				
194	638665-4	LEAD UNIT		1	*			
194-1	632E39-1	LEAD UNIT	S	1				
195	324980-9	SPARK ARRESTER		1				
196	266583-2	PAN HEAD SCREW M5X25		4	*			
196-1	266845-8	BINDING HEAD SCREW M5X25		4	*			
197	264037-3	HEX NUT M5		4	*			
197-1	264093-3	HEX. NUT M5	O	4	*			
198	266584-0	TAPPING SCREW 4X20		4	*			
199	638704-0	SWITCH UNIT		1	*			
200	168579-8	CONTROL CABLE		1	*			
201	451933-6	LONG LEVER		1	*			
202	233568-3	TORSION SPRING		1	*			
203	451934-4	STOP LEVER		1	*			
204	451936-0	TOP		1	*			

Please order the parts with part number.

Print Date 18/10/2023

Model No.EBH253L BRUSH CUTTER

Item	Parts No.	Description	I/C	Qty	New/Old	Opt. 1	Opt. 2	Note
205	264038-1	HEX NUT M5		2	*			
206	451935-2	CORRUGATE TUBE		1	*			
207	922233-6	H.S.H.BOLT M5X20 WITH WR		2	*			
208	233540-5	TORSION SPRING 11		1				
209	233541-3	TORSION SPRING 7		1				
210	266326-2	TAPPING SCREW 4X18		4				
211	922218-2	H.S.H.BOLT M5X14 WITH WR		2	*			
211-1	922206-9	HEX. SOCKET HEAD BOLT M5X10	>	2				
212	188832-6	LEVER CASE SET		1				
213	346248-3	CLAMP 24		2	*			
213-1	346248-3	CLAMP 24	O	2				
214	266130-9	TAPPING SCREW BIND PT 3X16		1				
215	168549-7	CONTROL CABLE		1				
216	232251-9	LEAF SPRING		1				
217	451592-6	THROTTLE LEVER		1	*			
217-1	455313-8	THROTTLE LEVER	<	1				
218	451593-4	LOCK LEVER		1				
219	451594-2	SWITCH LEVER		1				
220	451595-0	SWITCH COVER		1				
221	451602-9	CORRUGATE TUBE		1				
222	638676-9	LEAD UNIT		1				
223	638677-7	LEAD UNIT		1				
224	451598-4	LOOP HANDLE 24		1				
225	451599-2	HANDLE CLAMP 24		1				
226	922253-0	H.S.H.BOLT M5X30 WITH WR		4	*			
226-1	911253-5	PAN HEAD SCREW M5X30	<	4				
227	413143-3	WASHER		2				
228	808723-2	CAUTION LABEL		1				
A01	125516-5	BAND ASSEMBLY		1				
A02	242072-1	OIL BOTTLE		1	*			
A03	783013-3	BOX DRIVER 16-17		1				
A04	783217-7	HEX. WRENCH 5		1	*			
A04-1	783232-1	HEX. WRENCH 5	O	1	*			
A04-2	783217-7	HEX. WRENCH 5	O	1				
A05	783223-2	HEX. WRENCH 4		1	*			
A05-1	783202-0	HEX. WRENCH 4	O	1				
A06	831304-7	ACCESSORY BAG		1				
A07	B-02945	NYLON CUTTING HEAD 4Y (L.H)		1	*			
A07-1	B-05125	ULTRA AUTO 4 M BRAND MHI	O	1				
A10	195500-4	OIL SET		1	*			
A10-1	197007-6	OIL SET	O	1	*			
A10-2	191A18-9	OIL SET	O	1	*			
A10-3	197007-6	OIL SET	O	1				
E02	819430-2	CAUTION TAG		1				

Please order the parts with part number.

Print Date 18/10/2023