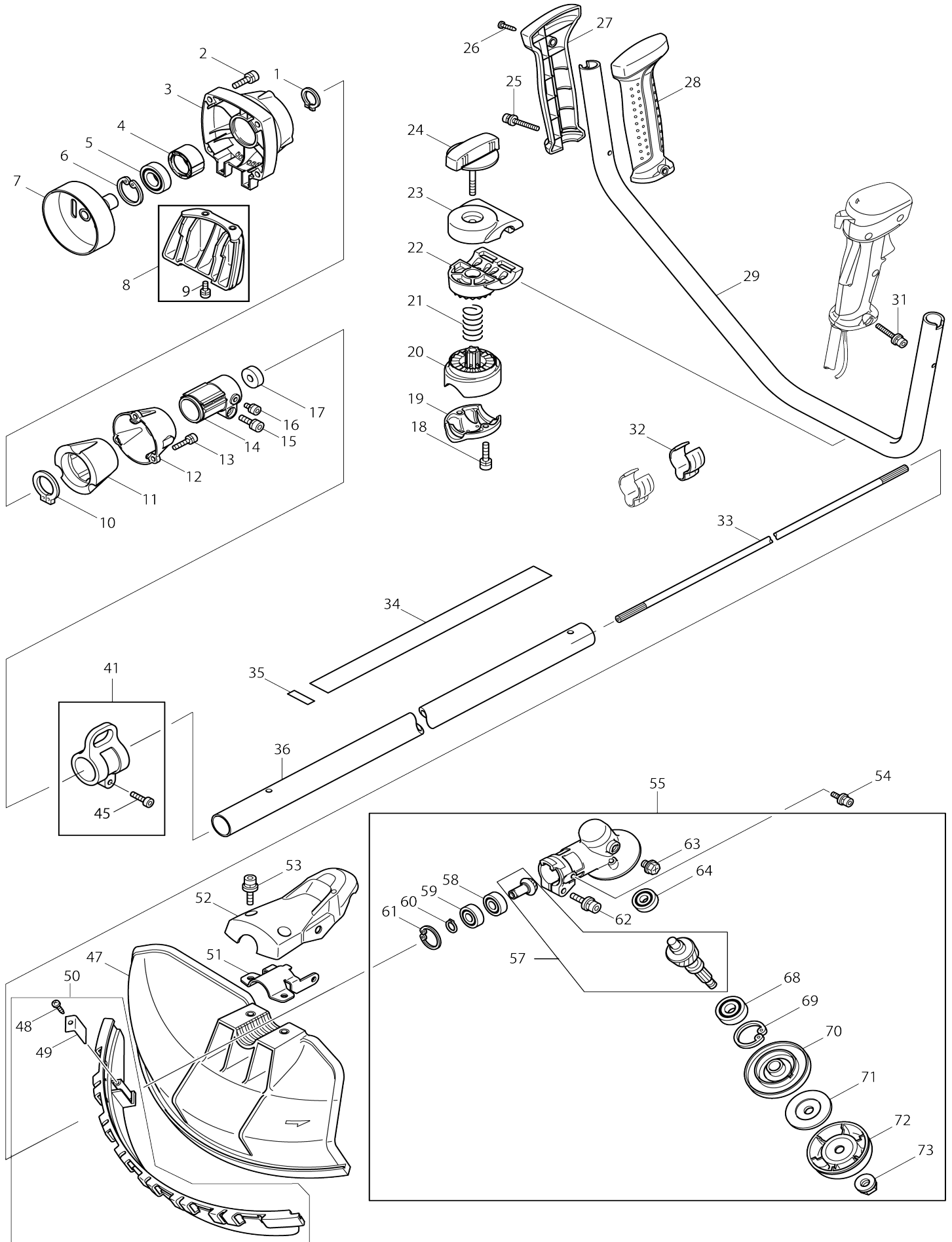
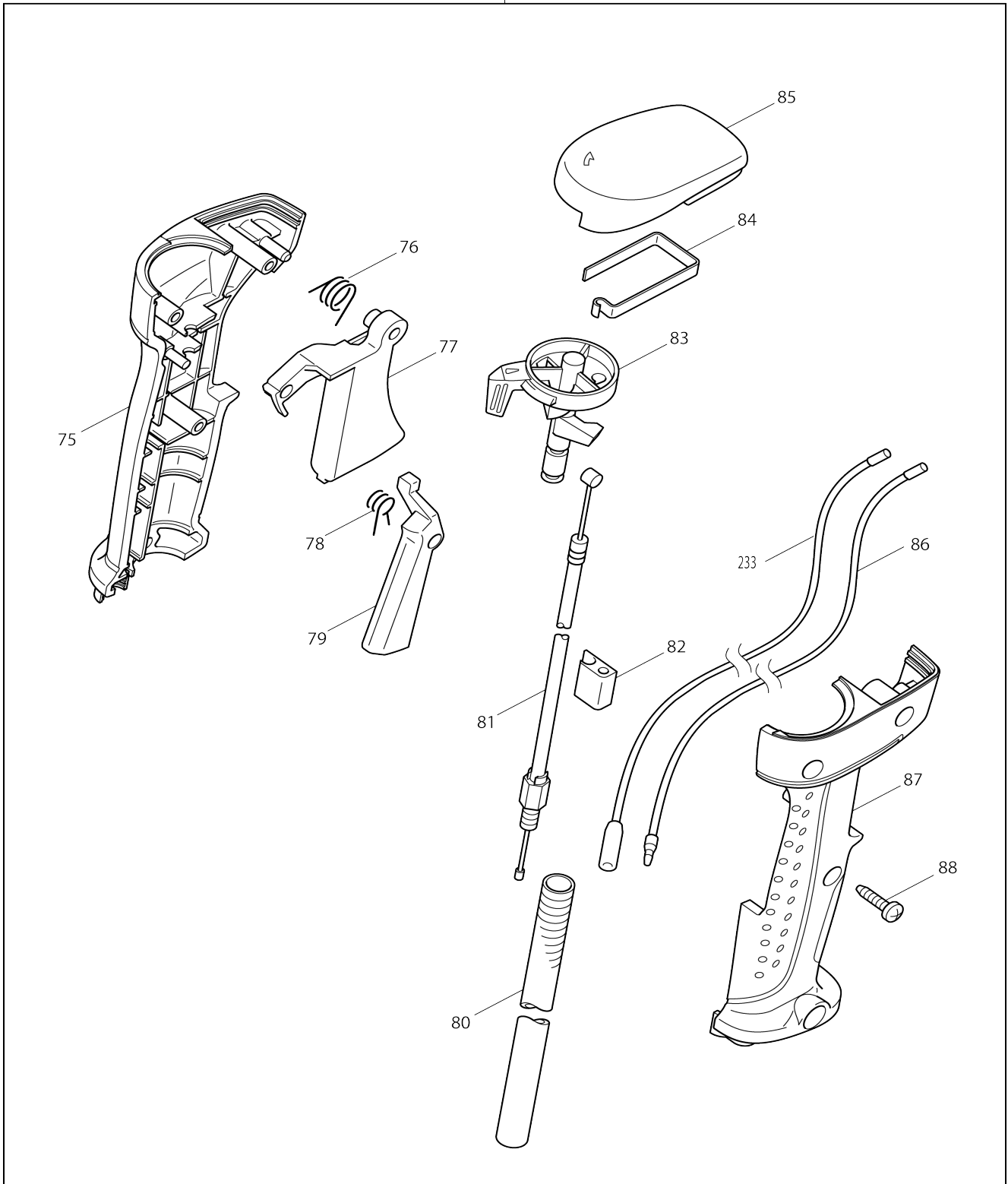


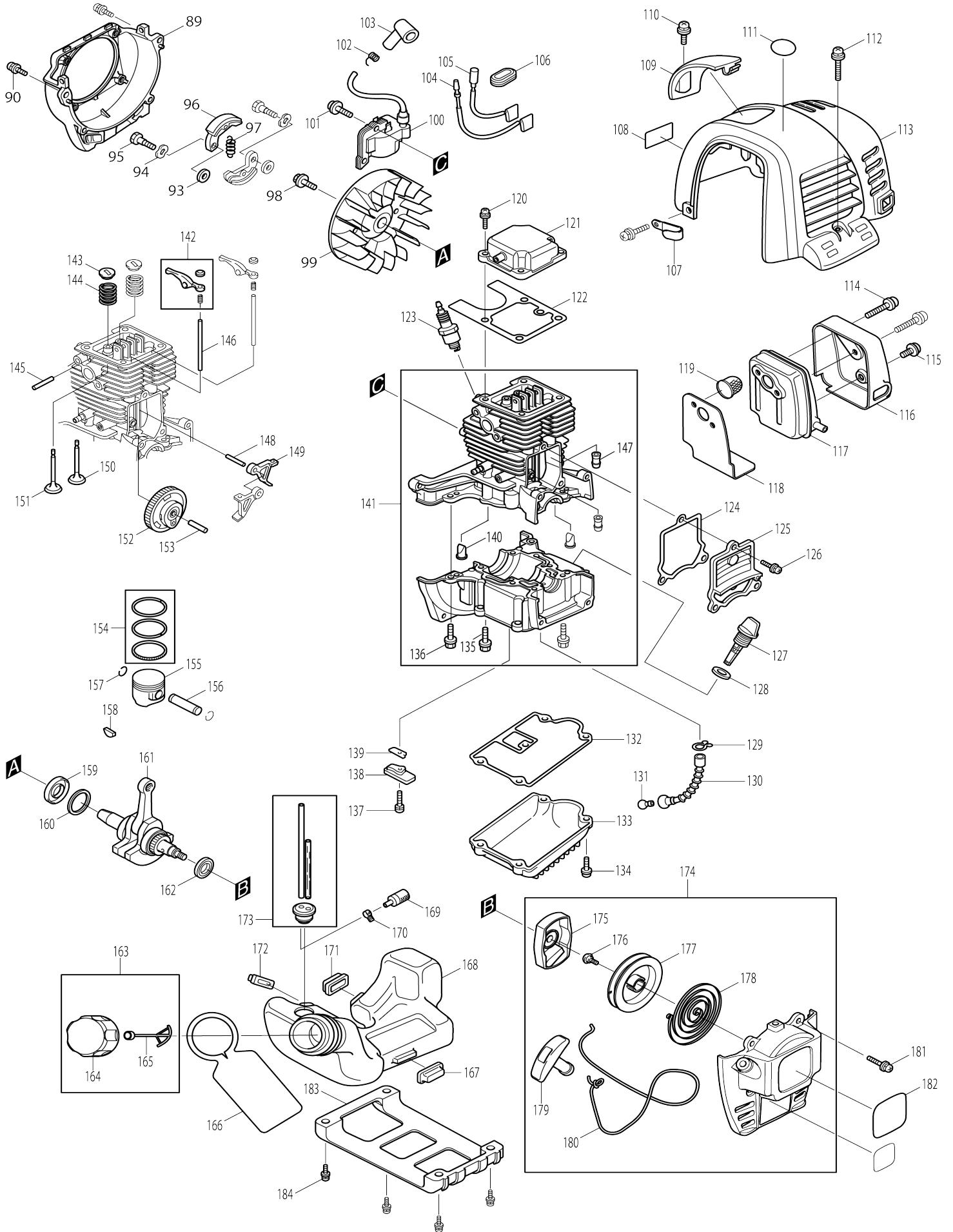
Model No.EBH341U BRUSH CUTTER



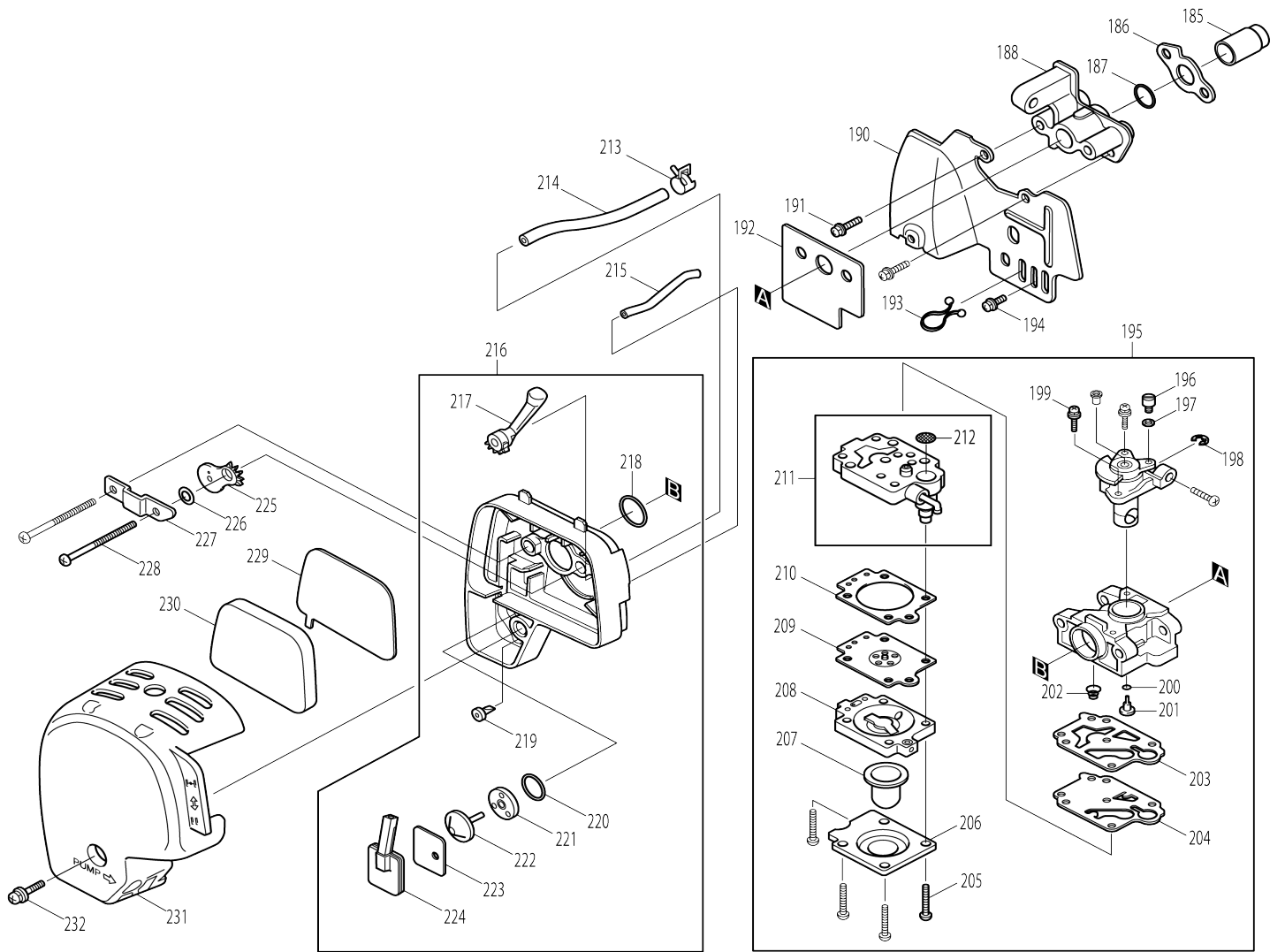
74



Model No. EBH341U BRUSH CUTTER



Model No.EBH341U BRUSH CUTTER



Model No.EBH341U BRUSH CUTTER

Item No.	Parts No.	Description	Interchangability	Q'ty	New/Old	Note1	Note2
001	961057-5	RETAINING RING S-17		1			
002	922331-6	HEX. SOCKET HEAD BOLT M6X20		4			
003	318421-5	CLUTCH CASE		1			
004	451157-4	SPACER		1			
005	211338-0	BALL BEARING 6003LLU		1	*		
005-1	210126-2	BALL BEARING 6003LLU	O	1			
006	962153-2	RETAINING RING R-35		1			
007	165577-3	CLUTCH DRUM		1			
008	195144-0	STAND SET		1			
D10		INC. 9					
009	911218-7	PAN HEAD SCREW M5X14		2			
010	961151-3	RETAINING RING S-32		1			
011	424204-4	DAMPER		1			
012	318453-2	PIPE RETAINER		1			
013	922231-0	HEX. SOCKET HEAD BOLT M5X20		3			
014	318454-0	PIPE BRACKET		1			
015	922331-6	HEX. SOCKET HEAD BOLT M6X20		1			
016	922201-9	HEX. SOCKET HEAD BOLT M5X8		1			
017	443146-3	FELT RING 8		1			
018	922341-3	HEX. SOCKET HEAD BOLT M6X25		2			
019	318422-3	PIPE CLAMP		1			
020	318423-1	PIPE HOLDER		1			
021	233202-5	COMPRESSION SPRING 20		1			
022	318424-9	HANDLE HOLDER		1			
023	318425-7	HANDLE CLAMP		1			
024	168524-3	Knob 57		1	*		
024-1	168796-0	KNOB 57	<	1			
025	922256-4	HEX. SOCKET HEAD BOLT M5X35		1			
026	266326-2	TAPPING SCREW 4X18		1			
027	451088-7	Grip L		1	*		
027-1	188660-9	GRIP SET	S	1			
D10		INC. 28					
028	451089-5	Grip R		1	*		
028-1	188660-9	GRIP SET	S	1			
D10		INC. 27					
029	331863-6	HANDLE 22		1			
031	922256-4	HEX. SOCKET HEAD BOLT M5X35		1			
032	451525-1	WIRE CLAMP		2			
033	325675-7	SHAFT		1			
034	810500-0	Caution label		1			
035	816551-1	Serial no. Label		1	*		
035-1	819760-1	DATE CODE LABEL	<	1	*		
035-2	814A82-0	DATE CODE LABEL	X	1	*		
035-3	801D19-4	SERIAL NO. LABEL	<	1			
036	140042-3	SHAFT PIPE COMPLETE		1			
041	125558-9	HANGER ASSEMBLY		1			
D10		INC. 45					

045	922233-6	H.S.H.BOLT M5X20 WITH WR		1	*		
045-1	922232-8	HEX. SOCKET HEAD BOLT M5X20	<	1			
047	451091-8	Protector (black)		1	*		
047-1	452259-9	PROTECTOR	S	1			
048	266326-2	TAPPING SCREW 4X18		1			
049	346074-0	CUTTER		1			
050	135361-0	Protector extension assembly		1	*		
D10		INC. 48,49					
050-1	135398-7	PROTECTOR EXTENSION ASSY	S	1			
D10		INC. 48,49					
051	346072-4	PROTECTOR CLAMP		1			
052	451090-0	PROTECTOR COVER		1			
053	922353-6	HEX.SOCKET HEAD BOLT M6X30		2	*		
053-1	266579-3	HEX SOCKET HEAD BOLT M6X30	<	2			
054	922218-2	H.S.H.BOLT M5X14 WITH WR		2			
055	125557-1	Gear case assembly		1	*		
D10		INC. 57-64,68-73					
055-1	126260-7	GEAR CASE ASSEMBLY	O	1	*		
C10	213459-4	O RING 32		1	*		
D10		INC. 57-64,68-73					
055-2	126310-8	GEAR CASE ASSEMBLY	O	1	*		
C10	213459-4	O RING 32		1	*		
D10		INC. 57-64,68-73					
055-3	123835-3	GEAR CASE ASSEMBLY	S	1			
D10		INC. 57-64,68-73					
057	188865-1	CUTTER SHAFT SET		1	*		
057-1	187644-4	CUTTER SHAFT SET	O	1	*		
057-2	183K07-8	CUTTER SHAFT SET	O	1			
058	211064-1	BALL BEARING 6000		1	*		
058-1	210161-0	BALL BEARING 6000	>	1			
059	211062-5	BALL BEARING 6000ZZ		1	*		
059-1	210160-2	BALL BEARING 6000ZZ	>	1			
060	961006-2	RETAINING RING S-10		1	*		
060-1	257408-1	RETAINING RING(EXT) S-10	O	1			
061	962105-3	RETAINING RING R-26		1	*		
061-1	257988-7	RETAINING RING (INT) R-26	O	1			
062	922353-6	HEX.SOCKET HEAD BOLT M6X30		1			
063	265590-2	+HEX.BOLT M8X10 WITH R		1			
064	210081-8	BALL BEARING 629ZZ		1	*		
064-1	210159-7	BALL BEARING 629ZZ	>	1			
068	210116-5	BALL BEARING 6201LLU		1			
069	962151-6	RETAINING RING R-32		1	*		
069-1	257409-9	RETAINING RING(INT) R-32	O	1			
070	331860-2	RECEIVE WASHER		1	*		
070-1	332114-0	RECEIVE WASHER	<	1	*		
070-2	326823-1	RECEIVE WASHER	O	1			
071	346084-7	CLAMP WASHER		1	*		
071-1	346355-2	CLAMP WASHER	<	1			
072	168526-9	CUP		1			
073	264025-0	HEX. NUT M10-17		1			
074	125545-8	Control lever assembly		1			
D10		INC. 75-88,233					

075	451086-1	Lever case L (black)		1	*		
075-1	188657-8	LEVER CASE SET	S	1	*		
D10		INC. 87					
075-2	183A09-4	LEVER CASE SET	S	1			
D10		INC. 87					
076	233540-5	TORSION SPRING 11		1			
077	451084-5	THROTTLE LEVER		1			
078	233541-3	TORSION SPRING 7		1			
079	451083-7	LOCK OFF LEVER		1			
080	451213-0	CORRUGATE TUBE		1			
081	168539-0	Control cable		1			
082	451081-1	CABLE HOLDER		1			
083	451082-9	Switch lever		1			
084	232251-9	LEAF SPRING		1			
085	451085-3	Switch cover (black)		1	*		
085-1	455722-1	Switch cover (black)	S	1			
086	638663-8	Lead unit		1			
087	451087-9	Lever case R (black)		1	*		
087-1	188657-8	LEVER CASE SET	S	1	*		
D10		INC. 75					
087-2	183A09-4	LEVER CASE SET	S	1			
D10		INC. 75					
088	266326-2	TAPPING SCREW 4X18		3			
089	318614-4	BLOWER HOUSING		1			
090	922223-9	H.S.H.BOLT M5X16 WITH WR		4			
093	267424-5	FLAT WASHER 8		2	*		
093-1	253762-1	FLAT WASHER 8	O	2			
094	267832-0	WAVE WASHER 10		2			
095	266571-9	SHOULDER HEX. BOLT M8X23		2			
096	168563-3	CLUTCH SHOE		2	*		
096-1	125757-3	CLUTCH ASSEMBLY	S	1			
C10	AN04002000	CLUTCH SHOE		2			
D10		INC. 97					
097	231863-5	TENSION SPRING 9		1	*		
097-1	AN02010000	TENSION SPRING 9	S	1	*		
097-2	AN02010C00	TENSION SPRING 9	O	1			
098	265577-4	HEX HEAD BOLT M6X16		1			
099	318611-0	FLYWHEEL		1	*		
099-1	319035-3	FLYWHEEL	O	1			
100	168501-5	IGNITION COIL		1	*		
100-1	168816-0	IGNITION COIL	S	1			
101	922138-0	H.S.H.BOLT M4X20 WITH WR		2			
102	324891-8	PLUG CAP SPRING		1			
103	424105-6	PLUG CAP		1			
104	638664-6	LEAD UNIT		1	*		
104-1	632E38-3	LEAD UNIT	S	1			
105	638665-4	LEAD UNIT		1	*		
105-1	632E39-1	LEAD UNIT	S	1			
106	424313-9	GROMMET		1			
107	345963-6	CLAMP		1			
108	819312-8	MAKITA LOGO LABEL		1			

109	451876-2	PLUG COVER		1	*		
109-1	451876-2	PLUG COVER	O	1			
110	266572-7	+ TRUSS HEAD SCREW M5X8		1			
111	808633-3	4STROKE INDICATION LABEL		1	*		
112	265187-7	Pan head screw M5X12		3	*		
112-1	911213-7	PAN HEAD SCREW M5X12	O	3			
113	451875-4	CYLINDER COVER		1			
114	266440-4	HEX SOCKET HEAD BOLT M5X40		2			
115	265184-3	+TRUSS HEAD SCREW M5X5		1			
116	345915-7	MUFFLER COVER		1			
117	168469-5	EXHAUST MUFFLER		1			
118	345916-5	MUFFLER GASKET		1			
119	324980-9	SPARK ARRESTER		1			
120	266495-9	Hex socket head bolt M5X14		4	*		
120-1	922217-4	HEX. SOCKET HEAD BOLT M5X14	O	4			
121	140419-2	ROCKER COVER COMPLETE		1			
122	162307-3	ROCKER COVER GASKET		1			
123	168534-0	SPARK PLUG		1			
124	162274-2	CAM GEAR COVER GASKET		1			
125	318443-5	CAM GEAR COVER		1			
126	922212-4	HEX. SOCKET HEAD BOLT M5X12		3			
127	450565-6	OIL GAUGE		1			
128	424100-6	GASKET		1			
129	282020-8	HOSE CLAMP		1			
130	424202-8	OIL TUBE		1			
131	325666-8	OIL WEIGHT		1			
132	162308-1	CASE GASKET		1			
133	318612-8	OIL CASE		1			
134	266495-9	Hex socket head bolt M5X14		4	*		
134-1	922217-4	HEX. SOCKET HEAD BOLT M5X14	O	4			
135	266573-5	HEX. SOCKET HEAD BOLT M5X33		4			
136	266570-1	HEX. SOCKET HEAD BOLT M5X16		4	*		
136-1	922222-1	HEX. SOCKET HEAD BOLT M5X16	O	4			
137	266569-6	HEX. SOCKET HEAD BOLT M4X10		1	*		
137-1	922112-8	HEX. SOCKET HEAD BOLT M4X10	O	1			
138	318440-1	RETAINER PLATE		1			
139	346083-9	LEAD VALVE		1			
140	424201-0	CHECK VALVE		2			
141	135373-3	CYLINDER BLOCK ASSEMBLY		1			
D10		INC. 135,136,140,147					
142	125554-7	ROCKER ARM ASSEMBLY		2			
143	325912-9	SPRING RETAINER		2			
144	234181-0	COMPRESSION SPRING 11		2	*		
144-1	234181-0	COMPRESSION SPRING 11	O	2			
145	256200-2	PIN 5		1			
146	256866-8	ROD 2.5		2			
147	424200-2	SPACER		2			
148	268239-3	PIN 4		1			
149	313169-4	CAM LIFTER		2			
150	325913-7	EXHAUST VALVE		1			
151	325914-5	INTAKE VALVE		1			
152	125552-1	CAM GEAR ASSEMBLY		1			

153	268238-5	PIN 5		1		
154	195141-6	PISTON RING SET		1		
155	318613-6	PISTON		1	*	
155-1	197454-1	Piston set	<	1		
C10	318613-6	PISTON		1		
D10		INC. 154,157				
156	257796-6	PISTON PIN		1		
157	233983-1	CLIP		2		
158	254040-2	WOODRUFF KEY 3		1		
159	213537-0	OIL SEAL 12		1		
160	267425-3	FLAT WASHER 26		1		
161	125756-5	CRANKSHAFT ASSEMBLY		1	*	
161-1	125756-5	CRANKSHAFT ASSEMBLY	O	1		
162	213148-1	OIL SEAL 10		1	*	
162-1	213769-9	OIL SEAL 10	<	1		
163	125472-9	FUEL TANK CAP ASSEMBLY		1	*	
D10		INC. 164,165				
163-1	127108-6	FUEL TANK CAP ASSEMBLY	O	1		
D10		INC. 164,165				
164	140435-4	FUEL TANK CAP		1	*	
164-1	127109-4	FUEL TANK CAP ASSEMBLY	O	1		
165	140436-2	STRAP COMPLETE		1		
166	810455-9	CAUTION PLATE		1		
167	424104-8	DAMPER		1		
168	451877-0	FUEL TANK		1		
169	163447-0	FUEL FILTER		1	*	
169-1	163447-0	FUEL FILTER	O	1		
170	345920-4	HOSE CLAMP		1		
171	424103-0	PLATE		1		
172	424102-2	PLATE		1		
173	162309-9	TUBE		1		
174	195142-4	RECOIL STARTER SET		1	*	
D10		INC. 175-180				
174-1	126475-6	STARTER COVER ASSEMBLY	<	1		
D10		INC. 175-180				
175	165606-2	PULLEY		1	*	
175-1	168827-5	PULLEY	O	1		
176	266580-8	TAPPING SCREW 5X10		1		
177	451923-9	REEL		1		
178	232257-7	SPIRAL SPRING		1		
179	424317-1	STARTER KNOB		1		
180	444018-5	STARTER ROPE		1		
181	911218-7	PAN HEAD SCREW M5X14		4		
182	816448-4	Model no. Label EBH341U		1		
183	162310-4	TANK GUARD		1		
184	911218-7	PAN HEAD SCREW M5X14		4	*	
184-1	266809-2	P.H.SCREW M5X14 WITH WR	<	4		
185	325915-3	INTAKE PIPE		1		
186	413120-5	INSULATOR GASKET		1		
187	213078-6	O-RING 10		1	*	
187-1	213063-9	O RING 10	<	1		

188	451874-6	INSULATOR		1		
190	346261-1	CARBURETOR INSULATOR		1		
191	922228-9	H.S.H.BOLT M5X18 WITH WR		2		
192	413138-6	CARBURETOR GASKET		1		
193	450562-2	CLAMP		1		
194	922213-2	H.S.H.BOLT M5X12 WITH WR		1		
195	168561-7	CARBURETOR		1	*	
D10		INC. 196-211				
195-1	168561-7	CARBURETOR	<	1		
D10		INC. 196-211				
196	325922-6	SWIVEL		1		
197	413140-9	WASHER		1		
198	257964-1	STOP RING E-3		1		
199	266581-6	PAN HEAD SCREW M3X8 WITH W		2	*	
199-1	WJ00096364	SCREW M3X8 WITH WASHER	O	2		
200	213538-8	O RING 2		1		
201	325921-8	JET		1	*	
201-1	5926007011	JET #36.5	<	1		
202	234183-6	CONICAL COMPRESSION SPRING 5-9		1		
203	442155-9	PUMP GASKET		1		
204	168575-6	PUMP DIAPHRAGM		1	*	
204-1	WJ00009599	PUMP DIAPHRAGM	O	1		
205	266582-4	TAPPING SCREW 3X24		4		
206	346270-0	PRIMER PUMP COVER		1		
207	424314-7	PRIMER PUMP		1		
208	140438-8	AIR PURGE BODY		1		
209	168574-8	METERING DIAPHRAGM		1	*	
209-1	WJ00963279	SCREW	O	1	*	
209-2	WJ00095586	DIAPHRAGM ASS'Y	X	1	*	
209-3	168620-7	METERING DIAPHRAGM	<	1		
210	442154-1	METERING DIAPHRAGM GASKET		1		
211	140437-0	PUMP BODY		1		
D10		INC. 212				
212	352010-6	INLET SCREEN		1	*	
212-1	WJ00014070	INLET SCREEN	O	1		
213	345918-1	HOSE CLAMP		1		
214	422055-9	BREATHER PIPE		1		
215	422042-8	PIPE		1		
216	125468-0	CLEANER PLATE ASSEMBLY		1		
C10	140814-6	AIR CLEANER PLATE COMPLETE		1		
D10		INC. 217-224				
217	451925-5	CHOKE LEVER		1		
218	213540-1	O RING 15		1		
219	424316-3	CHECK VALVE		1		
220	213539-6	O RING 14		1		
221	451924-7	CHECK VALVE PLATE		1		
222	424315-5	CHECK VALVE		1		
223	168577-2	SEPARATOR GASKET		1		
224	168576-4	SEPARATOR PLATE		1		
225	450560-6	CHOKE PLATE		1		
226	423376-2	GASKET		1		

227	345919-9	PLATE		1		
228	265188-5	+PAN HEAD SCREW M5X68		2		
229	443140-5	AIR CLEANER ELEMENT		1		
230	443141-3	AIR CLEANER ELEMENT		1		
231	450561-4	AIR CLEANER COVER		1		
232	911218-7	PAN HEAD SCREW M5X14		1		
233	638671-9	Lead unit		1		
234	413143-3	WASHER		2		
235	922353-6	HEX.SOCKET HEAD BOLT M6X30	S	1		
A01	122855-4	BAND ASSEMBLY		1	*	
A01-1	122906-3	BAND ASSY	O	1		
C10	140400-3	HOOK COMPLETE		1		
A02	168578-0	HOOK		1	*	
A03	242072-1	OIL BOTTLE		1	*	
A04	783013-3	BOX DRIVER 16-17		1		
A05	783217-7	HEX. WRENCH 5		1	*	
A05-1	783232-1	HEX. WRENCH 5	O	1	*	
A05-2	783217-7	HEX. WRENCH 5	O	1		
A06	783223-2	HEX. WRENCH 4		1	*	
A06-1	783202-0	HEX. WRENCH 4	O	1		
A07	831304-7	ACCESSORY BAG		1		
A08	451252-0	TOOL COVER		1		
A11	195501-2	OIL SET		1	*	
A11-1	197008-4	OIL SET	O	1	*	
A11-2	191A19-7	OIL SET	O	1	*	
A11-3	197008-4	OIL SET	O	1		
E02	819430-2	CAUTION TAG		1		
A12	196242-3	CUTTER 200 SET		1		
A13	318942-7	PROTECTOR 200		1		
A14	332051-8	RECEIVE WASHER		1		
A15	450573-7	TOOL COVER		2	*	
A15-1	456924-2	TOOL COVER	O	1		
A16	196324-1	TRIMMER HEAD ASSEMBLY 100-M10L		1	*	
A16-1	196324-1	TRIMMER HEAD ASSEMBLY 100-M10L	O	1		

Please state Parts No. when your order.

Print Date 18/10/2023