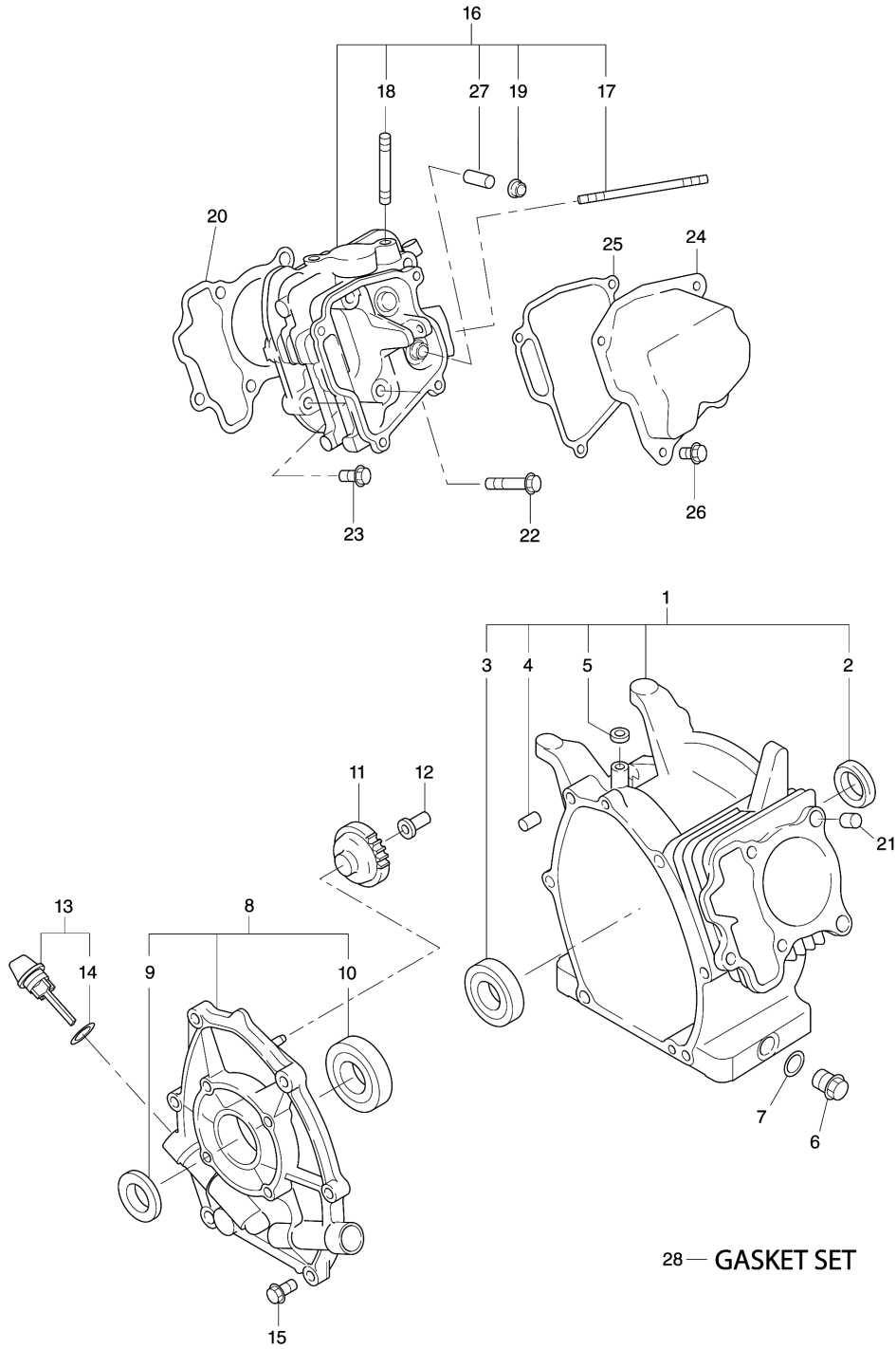
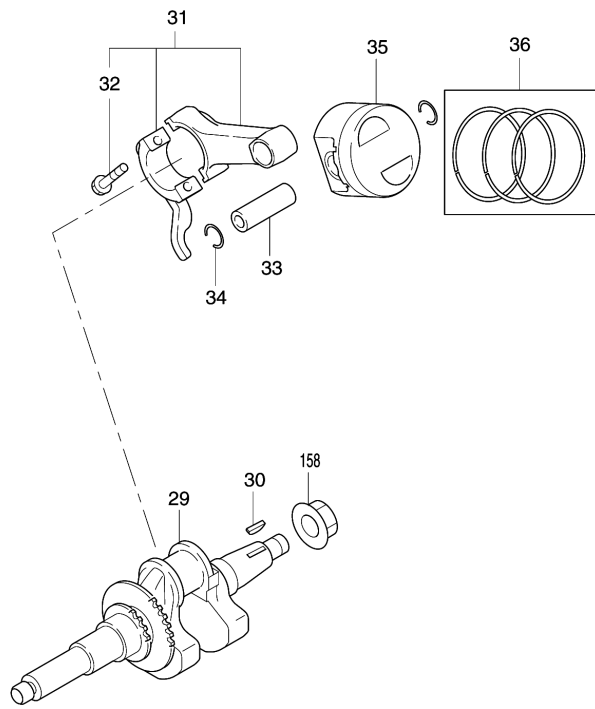


Model No. EG241A GENERATOR

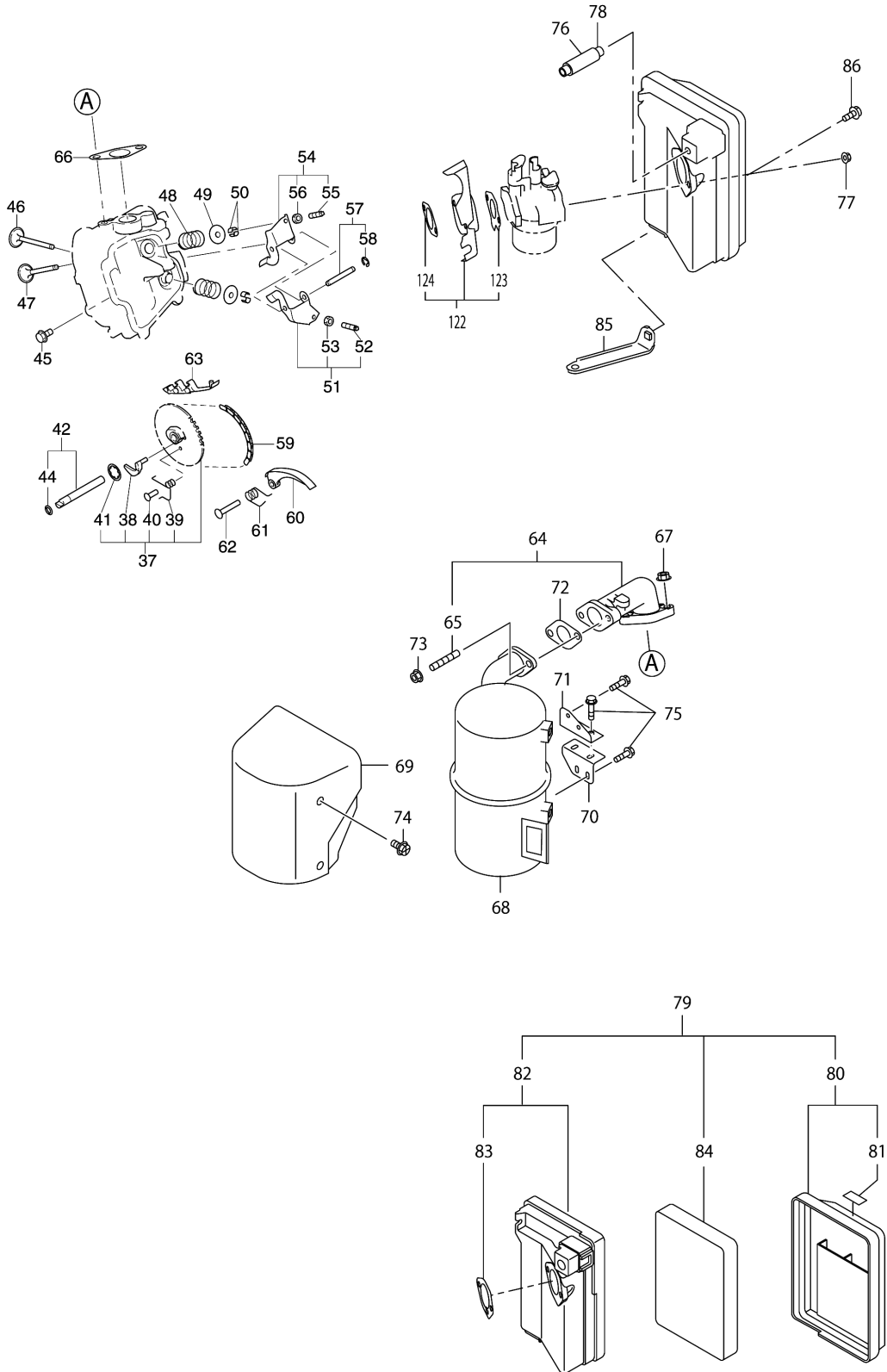


28— GASKET SET

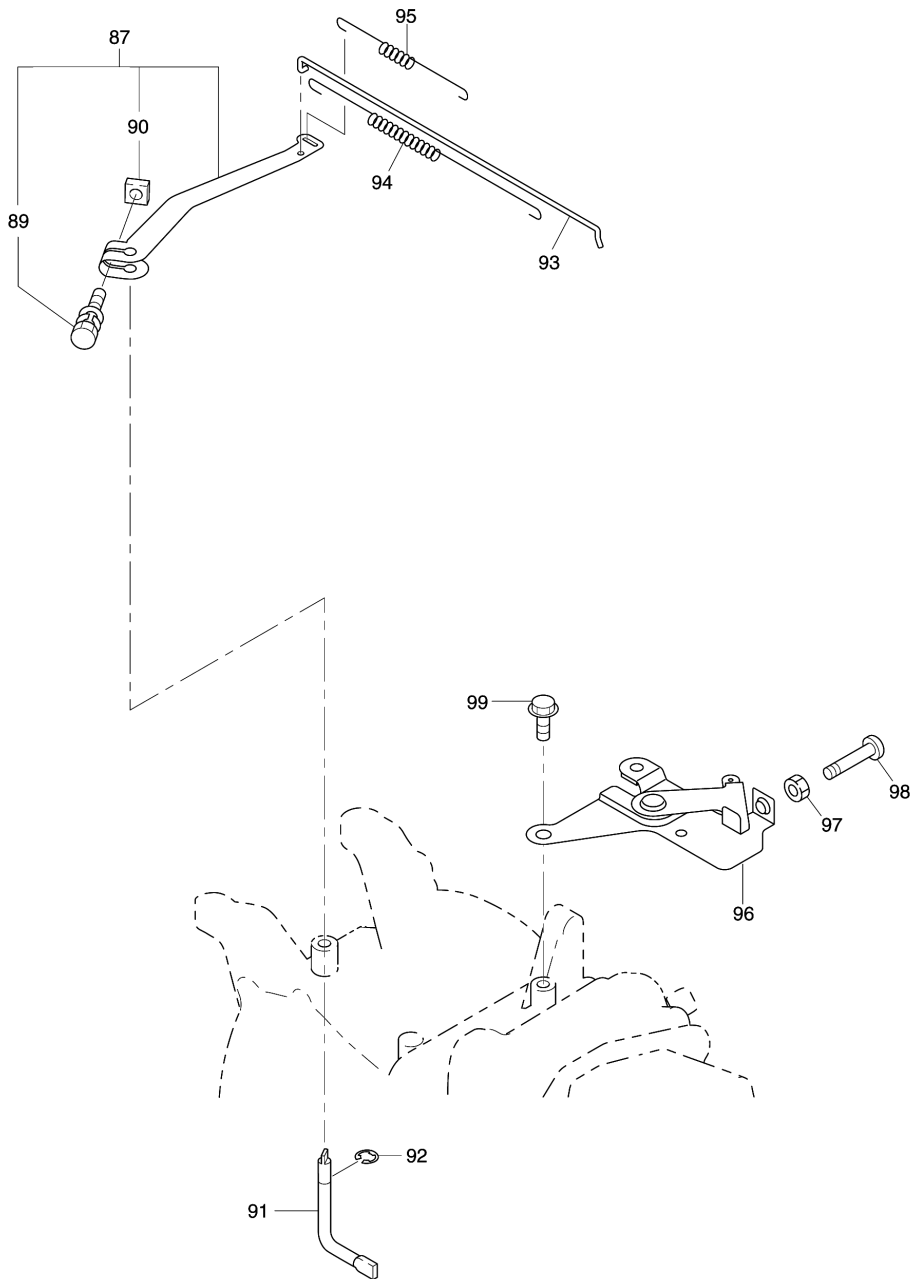
Model No. EG241A GENERATOR



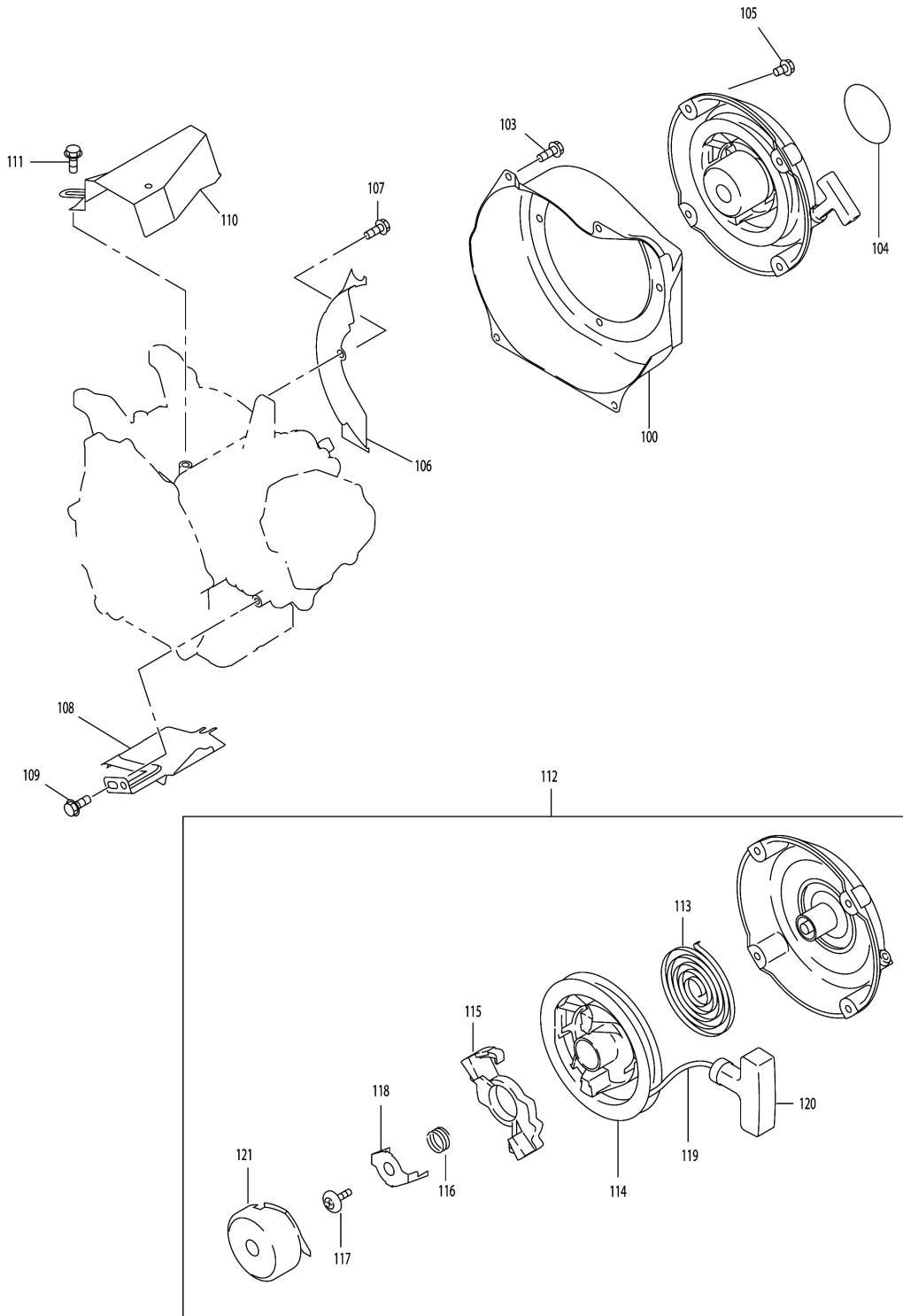
Model No.EG241A GENERATOR



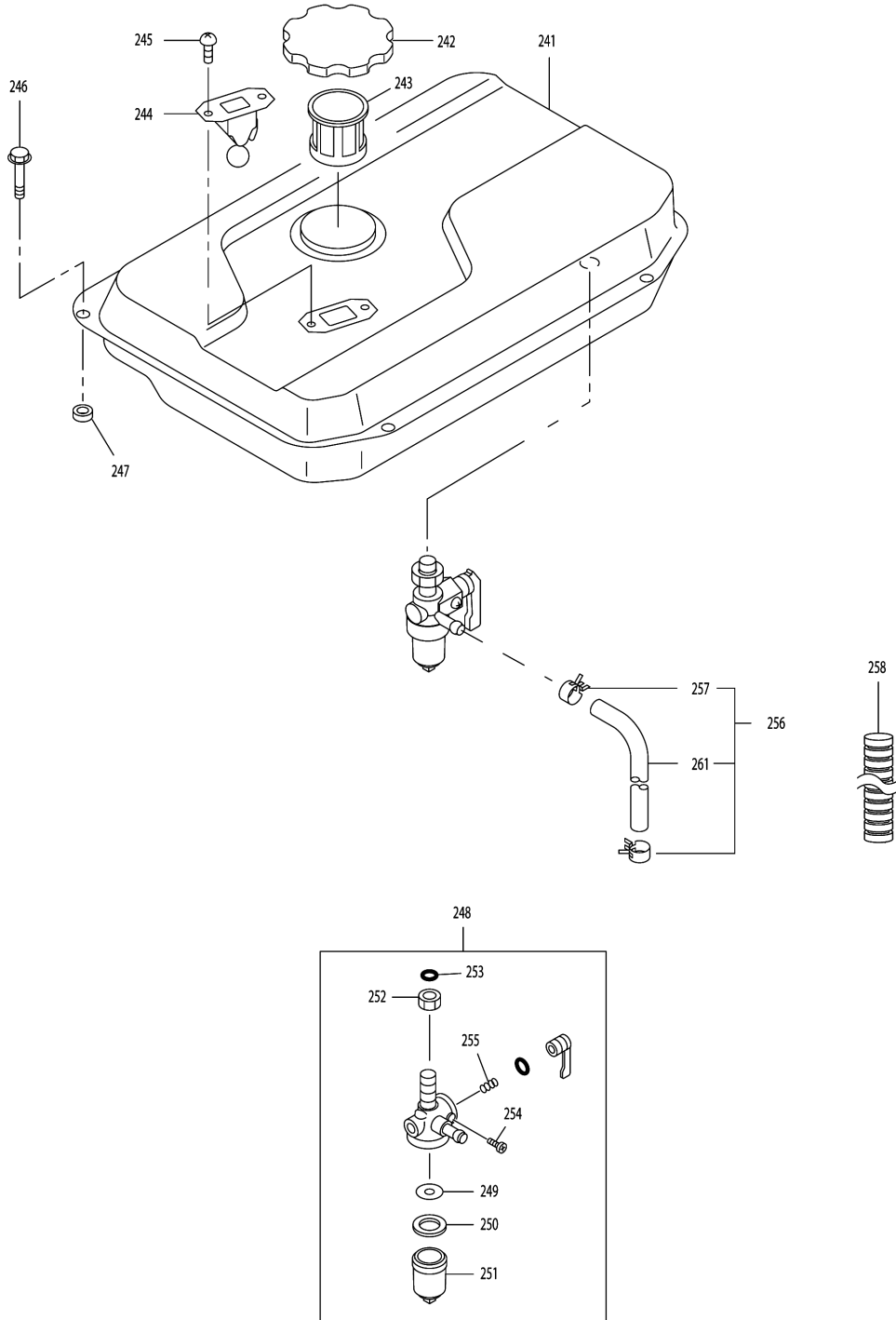
Model No. EG241A GENERATOR



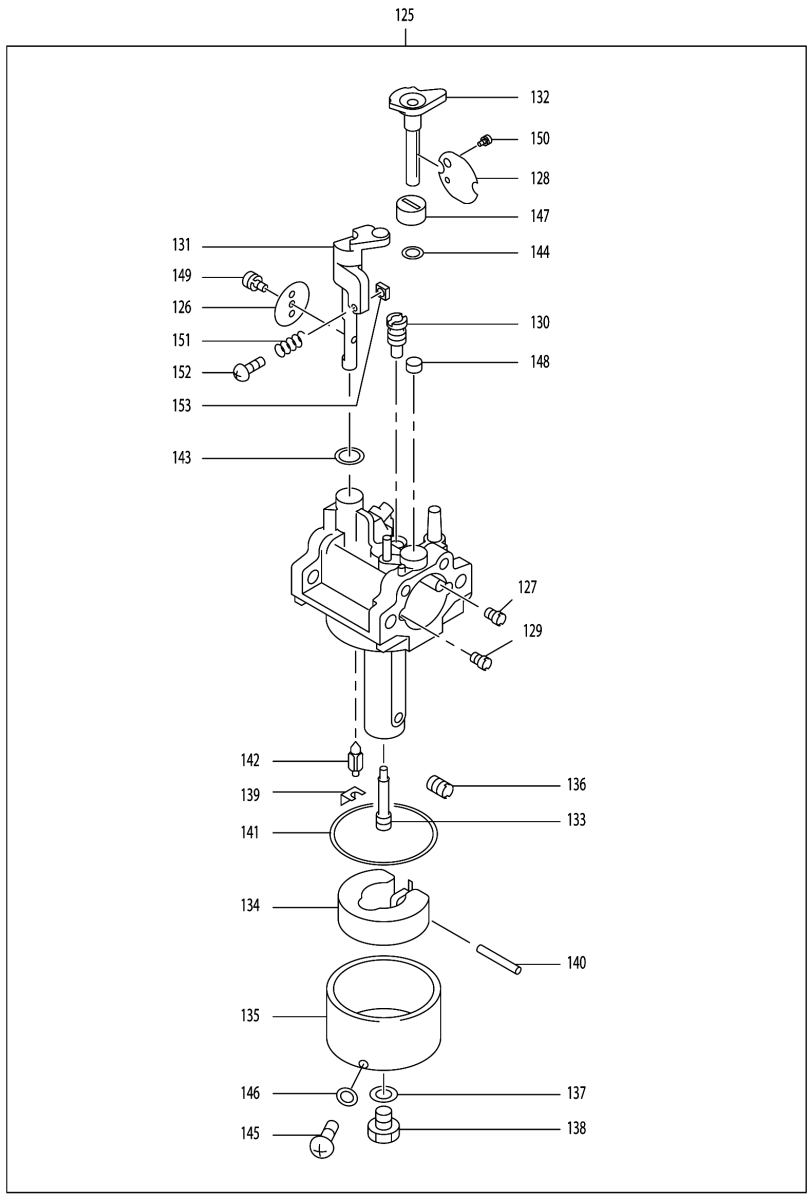
Model No. EG241A GENERATOR



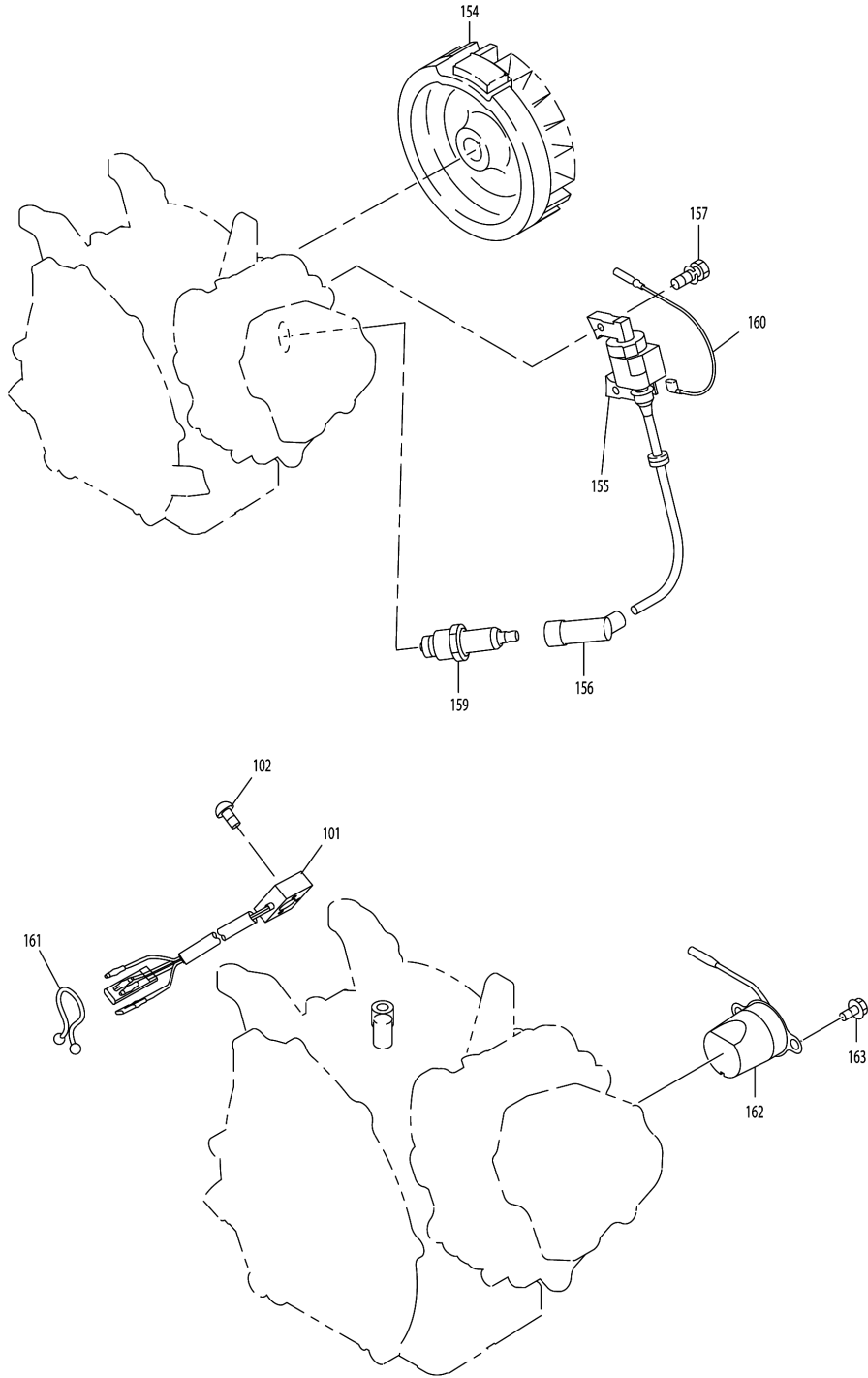
Model No. EG241A GENERATOR



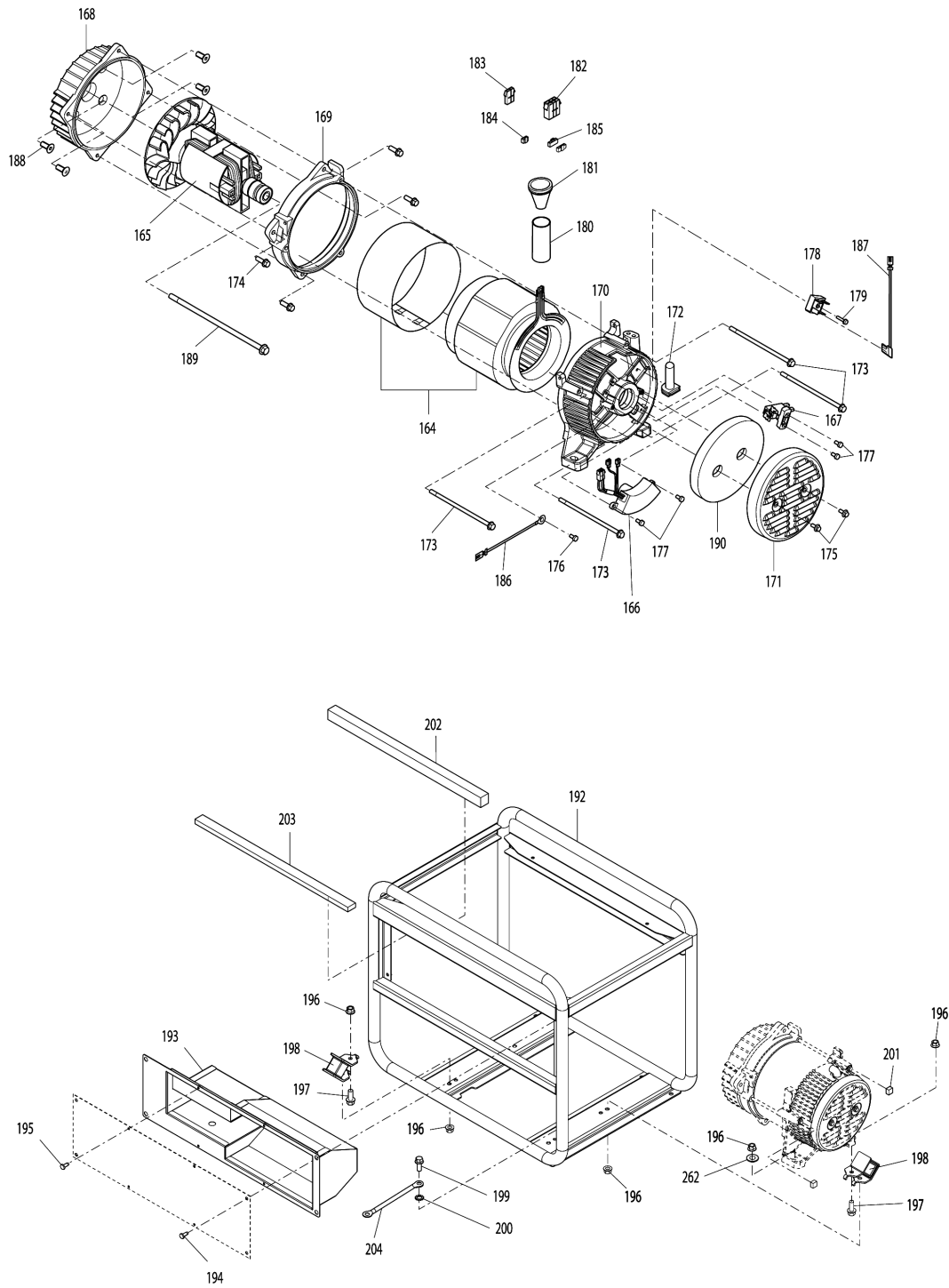
Model No. EG241A GENERATOR



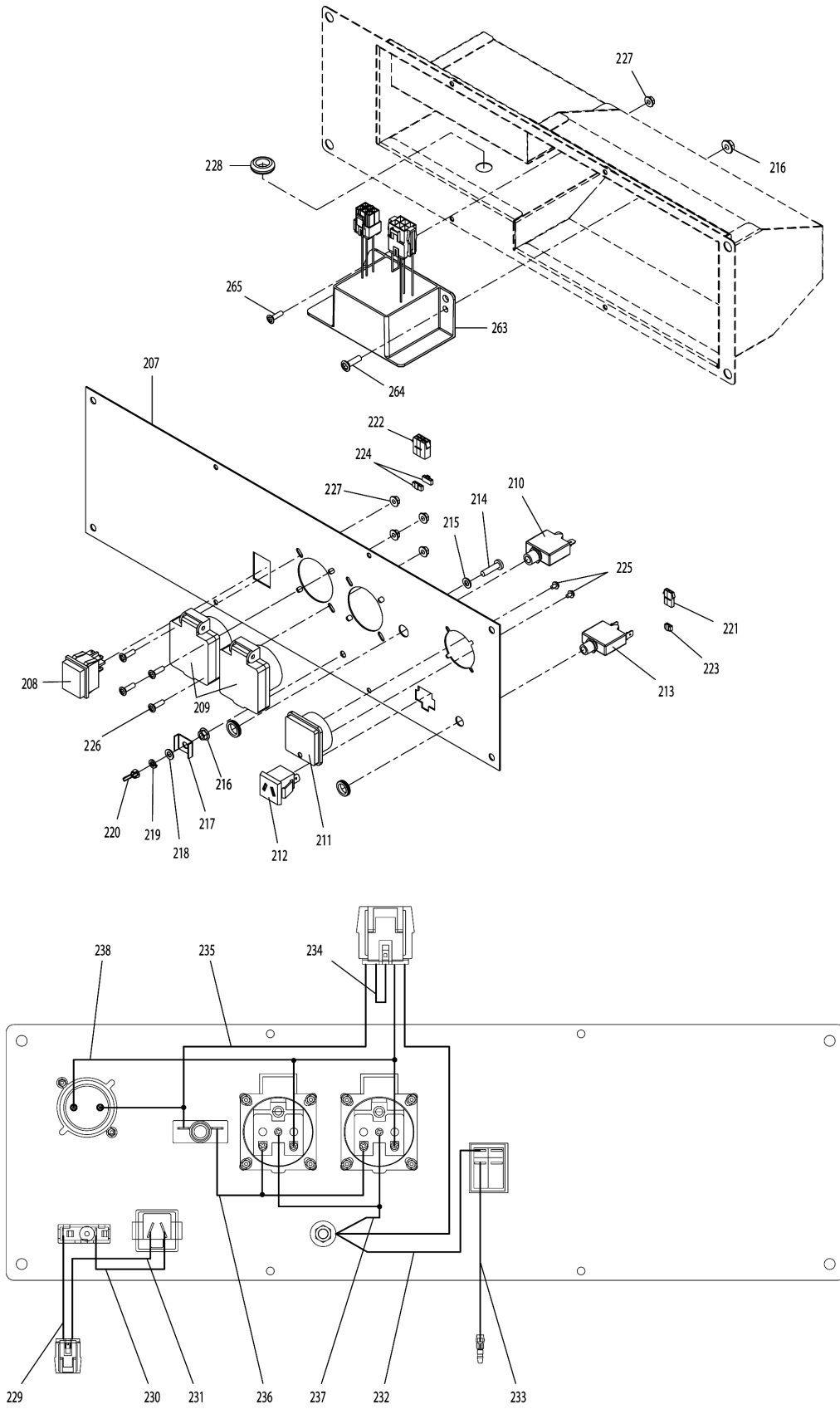
Model No.EG241A GENERATOR



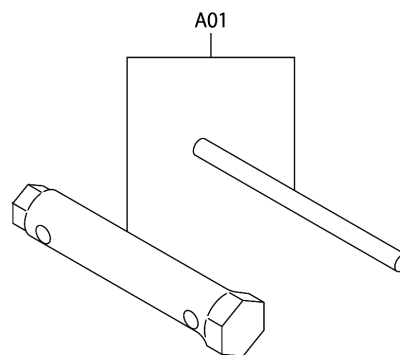
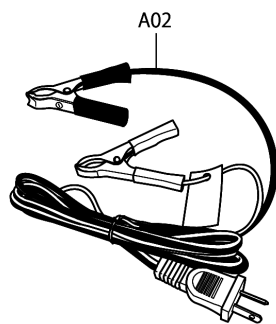
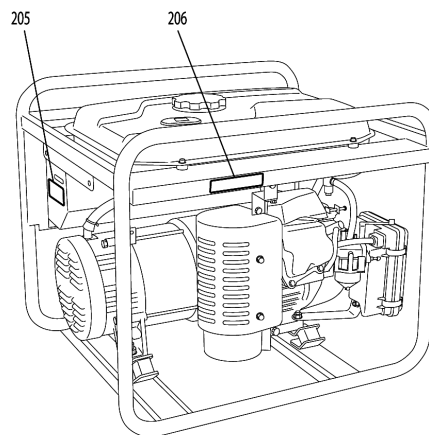
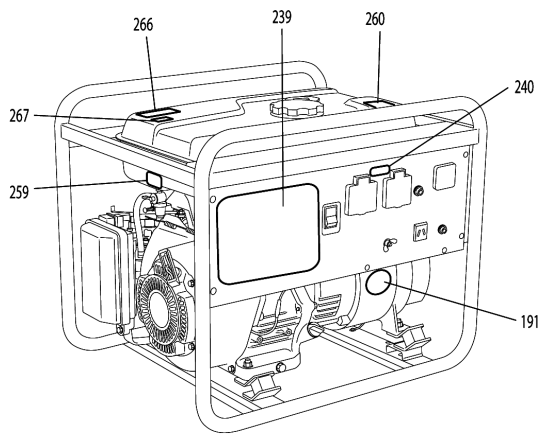
Model No.EG241A GENERATOR



Model No.EG241A GENERATOR



Model No. EG241A GENERATOR



Model No.EG241A GENERATOR

Item	Parts No.	Description	I/C	Qty	New/Old	Opt. 1	Opt. 2	Note
001	2771010251	CRANK CASE CP		1	*			
D10		INC. 2-5			*			
001-1	2771010261	CRANK CASE CP	<	1				
D10		INC. 2-5						
002	0440250200	OIL SEAL 25DX38DX7B		1				
003	0600280021	BALL BEARING 62/28 28DX58DX16B		1				
004	2771501103	PIPE KNOCK 10.3DX8.5DX14L		2				
005	0440060020	OIL SEAL 6DX10DX2.5B		1				
006	0401140030	PLUG		1				
007	0211140020	GASKET		1				
008	2771100131	MAIN BEARING COVER CP		1	*			
D10		INC. 9-10			*			
008-1	2771100141	MAIN BEARING COVER C	<	1	*			
D10		INC. 9-10			*			
008-2	2771100161	MAIN BEARING COVER CP	O	1				
D10		INC. 9-10						
009	0440250210	OIL SEAL 25DX41.25DX6B		1				
010	X600250140	BALL BEARING 6205		1	*			
010-1	0600250140	BALL BEARING 6205 25DX52DX15B	O	1				
011	27745004J1	GOVERNOR GEAR CP		1	*			
011-1	27745004K1	GOVERNOR GEAR CP	<	1				
012	2774190103	GOVERNOR SLEEVE		1	*			
012-1	2774190201	GOVERNOR SLEEVE CP	<	1				
013	2776360130	OIL GAUGE		2				
D10		INC. 14						
014	0213160020	GASKET 16DX23X1.2T		2	*			
014-1	2776360108	GASKET	<	2	*			
014-2	0213160020	GASKET 16DX23X1.2T	O	2				
015	0010408350	FLANGE BOLT		6				
016	2771300211	CYLINDER HEAD COMPLETE		1				
D10		INC. 17-18						
017	0105060351	STUD M6X1.0X98L		2				
018	0105080290	MUFFLER STUD		2				
019	2771601001	STEM SEAL		1				
020	2771500133	GASKET(HEAD)		1	*			
020-1	2771500143	GASKET(HEAD)	<	1				
021	2771501103	PIPE KNOCK 10.3DX8.5DX14L		2				
022	0110080240	FLANGE BOLT M8X1.25X16DX68L		4				
023	0110080310	FLANGE BOLT M8X33L		1				
024	2771550301	ROCKER COVER CP		1	*			
024-1	2771550311	ROCKER COVER CP	<	1				
025	2771600113	GASKET(ROCKER COVER)T=0.7		1	*			
025-1	2771600123	GASKET(ROCKER COVER)T=0.7	<	1				

Please order the parts with part number.

Print Date 23/1/2024

Model No.EG241A GENERATOR

Item	Parts No.	Description	I/C	Qty	New/Old	Opt. 1	Opt. 2	Note
026	0110060020	FLANGE BOLT M6X1.0X14DX12L		4				
027	2371420203	VALVE GUIDE (OVERSIZE)		2				
028	2779900147	GASKET SET		1	*			
D10		INC. 1-27			*			
D11		INC. 7,14,20,25,66,123,124			*			
028-1	2779900157	GASKET SET	<	1	*			
D11		INC. 7,14,20,25,66,123,124			*			
028-2	2779900167	GASKET SET	O	1	*			
D11		INC. 7,14,20,25,66,123,124			*			
028-3	2779900177	GASKET SET	O	1				
D11		INC. 7,14,20,25,66,123,124						
029	2772070121	CRANKSHAFT COMPLETE		1				
030	0323030010	WOODRUFF KEY		1				
031	2772250110	CONNECTING ROD ASS'Y		1				
D10		INC. 32						
032	2772300103	CONNECTING ROD BOLT		2				
033	2772330113	PISTON PIN 16DX11DX48.5L		1				
034	0565160010	CLIP		2				
035	27723401J3	PISTON STD		1				
035A_	27723403J3	PISTON 0.25 OVER SIZE		1				
035B_	27723404J3	PISTON 0.50 OVER SIZE		1				
036	2772353107	PISTON RING SET STD OIL 3PCS.		1				
036A_	2772353207	PISTON RING SET.25 O.S.OIL3PCS		1				
036B_	2772353307	PISTON RING SET.50 O.S.OIL3PCS		1				
037	2783160131	CAM SHAFT CP		1	*			
D10		INC. 38-41			*			
037-1	2783160141	CAM SHAFT CP	<	1	*			
D10		INC. 38-41			*			
037-2	2783160151	CAM SHAFT CP	<	1	*			
D10		INC. 38-41			*			
037-3	2783160161	CAM SHAFT CP	<	1	*			
D10		INC. 38-41			*			
037-4	2783160171	CAM SHAFT CP	<	1				
D10		INC. 38-41						
038	2773640103	RELEASE LEVER		1	*			
038-1	2773640113	RELEASE LEVER	<	1				
039	2793870113	RETURN SPRING		1	*			
039-1	2773870303	RETURN SPRING	X	1	*			
039-2	2773870313	RETURN SPRING	<	1	*			
039-3	2773870323	RETURN SPRING	S	1	*			
039-4	2773870333	RETURN SPRING	<	1				
040	2773860103	PIN(SPRING) 4DX8DX9L		1				
041	2773650103	CLIP 13.8DX20.3DX0.4T		1				
042	2773510101	PIN(CAM SHAFT)CP		1				

Please order the parts with part number.

Print Date 23/1/2024

Model No.EG241A GENERATOR

Item	Parts No.	Description	I/C	Qty	New/Old	Opt. 1	Opt. 2	Note
D10		INC. 43,44						
043	2773510103	PIN(CAM SHAFT)9DX78.5L		1	*			
044	0240060030	O-RING		1				
045	0110060010	FLANGE BOLT M6X1.0X14DX8L		1				
046	27733401H3	INTAKE VALVE		1	*			
046-1	20A3340103	INTAKE VALVE	O	1				
047	27733501H3	EXHAUST VALVE 23.5DX5.5DX68.1L		1	*			
047-1	20A3350103	EXHAUST VALVE 23.5DX5.5DX68.1L	O	1				
048	2793360103	VALVE SPING		2				
049	2693370103	SPRING RETAINER		2				
050	13210KA031	COLLET VALVE		4				
051	2773620100	LOCKER ARM(INTAKE) ASS'Y		1				
D10		INC. 52,53						
052	0149050020	ADJUST SCREW M5X23		1				
053	0170050030	NUT M5		1				
054	2773620200	ROCKER ARM(EXHAUST)ASS'Y		1				
D10		INC. 55,56						
055	0149050020	ADJUST SCREW M5X23		1				
056	0170050030	NUT M5		1				
057	2773500401	PIN(ROCKER) CP		1				
D10		INC. 58						
058	0031305000	CLIP		1				
059	2773560111	TIMING CHAIN COMPLETE		1	*			
059-1	27735602H1	TIMING CHAIN COMPLETE	<	1				
060	2773691103	TENSIONER		1	*			
060-1	20A3691103	TENSIONER	<	1				
061	2773710103	SPRING(TENSIONER)		1				
062	2773690203	PIN(TENSIONER) 6DX13DX34L		1				
063	2773691313	CHAIN GUIDE		1	*			
063-1	20A3691303	CHAIN GUIDE	<	1				
064	2773400101	EXHAUST PIPE COMPLETE		1				
D10		INC. 65						
065	0105080290	MUFFLER STUD		2				
066	2773520113	GASKET(MUFFLER)		1				
067	0023808000	FLANGE NUT		2				
068	2773051101	MUFFLER CP		1				
069	2773470101	MUFFLER COVER CP		1				
070	2773910101	MUFFLER BRACKET 1 CP		1				
071	2773910201	MUFFLER BRACKET 2 CP		1				
072	2773520101	GASKET EXHAUST T=1.6 28DX52P		1				
073	0023808000	FLANGE NUT		2				
074	0110060010	FLANGE BOLT M6X1.0X14DX8L		4				
075	0011406160	BOLT & WASHER ASS'Y		6				

Please order the parts with part number.

Print Date 23/1/2024

Model No.EG241A GENERATOR

Item	Parts No.	Description	I/C	Qty	New/Old	Opt. 1	Opt. 2	Note
076	2776900103	SPONGE PROTECTOR		1				
076-1	2776900203	SPONGE PROTECTOR		1				
077	0023806000	FLANGE NUT M6		2				
078	2773276208	BREATHER PIPE		1				
079	2773262220	AIR CLEANER ASSY		1	*			
D10		INC. 80-84			*			
079-1	2773262230	AIR CLEANER ASSY	O	1	*			
D10		INC. 80-84			*			
079-2	2773272230	AIR CLEANER ASSY	O	1				
D10		INC. 80-84						
080	2773264318	COVER CP		1	*			
D10		INC. 81			*			
080-1	2773264328	COVER CP	<	1				
081	0732004430	LABEL(CHOKE)		1	*			
082	2773263208	BASE COMPLETE		1				
083	2773260408	PACKING		1				
084	2773266117	ELEMENT		1				
085	2773900101	BRACKET(AIR CLEANER) COMPLETE		1	*			
085-1	2773900111	BRACKET(AIR CLEANER) COMPLETE	O	1				
086	0010406200	FLANGE BOLT M6X20		1				
087	2774230140	GOVERNOR LEVER		1				
D10		INC.088-090			*			
D11		INC.089-090						
088	2774230143	GOVERNOR LEVER		1	*			
089	0130060240	BOLT AND WASHER ASS'Y		1	*			
089-1	0011406250	BOLT & WASHER ASS'Y	<	1				
090	0186060020	NUT M6X1.0X4.9H		1				
091	2774220133	GOVERNOR SHAFT		1				
092	0031305000	CLIP		1				
093	2774270123	GOVERNOR ROD COMPLETE		1				
094	2774280123	ROD SPRING 7DX.5DX182L N=16		1				
095	2794250543	GOVERNOR SPRING		1				
096	2774650111	SPEED CONTROL COMPLETE		1				
097	0021706000	NUT M6		1				
098	0043106400	SCREW		1				
099	0110060020	FLANGE BOLT M6X1.0X14DX12L		2				
100	2775120501	BLOWER HOUSING COMPLETE		1				
101	KU31107001	FLOAT C/U CP4		1	*			
101-1	KU31107021	FLOAT C/U CP4	O	1				
102	0150040090	TAPPING SCREW 4X12		2				
103	0110060030	FLANGE BOLT M6X1.0X14DX14L		4				
104	0732005820	LABEL (TRADE MARK)		1	*			
104-1	0732005821	LABEL (TRADE MARK)	O	1				

Please order the parts with part number.

Print Date 23/1/2024

Model No.EG241A GENERATOR

Item	Parts No.	Description	I/C	Qty	New/Old	Opt. 1	Opt. 2	Note
105	0130060281	BOLT AND WASHER AY		4				
106	2775271121	BAFFLE 1 CP		1	*			
106-1	20A5271101	BAFFLE 1 (CASE) COMPLETE	<	1				
107	0010406140	FLANGE BOLT		1				
108	2775270203	BAFFLE 2(HEAD) COMPLETE		1				
109	0110060020	FLANGE BOLT M6X1.0X14DX12L		1				
110	2775500121	DUCT (CASE) CP		1	*			
110-1	2775500203	DUCT (CASE) CP	O	1				
111	0110060020	FLANGE BOLT M6X1.0X14DX12L		3				
112	2775030120	RECOIL STARTER AY		1	*			
D10		INC. 113-121			*			
112-1	2775030130	RECOIL STARTER AY	<	1				
D10		INC. 113-121						
113	2265071608	SPIRAL SPRING		1				
114	2775012108	REEL		1				
115	2815032508	RATCHET		1				
116	2815033008	FRICTION SPRING		1				
117	2815035108	CENTER SCREW		1				
118	2815034008	FRICTION PLATE		1				
119	2775011008	STARTER ROPE		1				
120	2815030018	STARTER KNOB		1				
121	2775014508	STARTER PULLEY		1				
122	27732902J1	INSULATOR COMPLETE		1	*			
D10		INC. 123,124			*			
122-1	20A3290201	INSULATOR COMPLETE	O	1				
D10		INC. 123,124						
123	27735902J3	GASKET 1(INSULATOR)		1	*			
123-1	20A3590203	GASKET 1(INSULATOR)	O	1				
124	27735903J3	GASKET 2(INSULATOR)		1	*			
124-1	20A3590303	GASKET 2(INSULATOR)	O	1				
125	2776230440	CARBURETOR ASS'Y		1	*			
D10		INC. 126-153			*			
125-1	2776230450	CARBURETOR ASS'Y	<	1	*			
D10		INC. 126-153			*			
125-2	2776230460	CARBURETOR ASS'Y	<	1				
D10		INC. 126-153						
126	2776253508	THROTTLE VALVE #160		1				
127	1066241008	AIR JET(PILOT)		1				
128	2776252708	VALVE CHOKE		1				
129	2486241008	AIR JET		1				
130	2466242008	PILOT JET (#40)		1				
131	2776253118	THROTTLE SHAFT-A		1				
132	2776252208	CHOKE LEVER		1				
133	2776244008	MAIN NOZZLE		1				

Please order the parts with part number.

Print Date 23/1/2024

Model No.EG241A GENERATOR

Item	Parts No.	Description	I/C	Qty	New/Old	Opt. 1	Opt. 2	Note
134	2266250608	FLOAT ASS'Y		1				
135	2776250608	FLOAT BODY		1				
136	2776240208	MAIN JET #81.3		1				
137	2146245008	PACKING		1				
138	2276245108	BOLT		1				
139	2266270118	CLIP		1				
140	2776251508	PIN		1				
141	2146254008	FLOAT CHAMBER PACKING		1				
142	2776250008	NEEDLE		1				
143	2466239008	SEAL		1				
144	2366268008	SEAL		1				
145	2776236008	BOLT		1				
146	2366254108	PACKING		1				
147	2776257028	RING		1				
148	2776257108	RING		1				
149	2096235108	SCREW ASS'Y		1				
150	2376245108	SCREW		2				
151	2836235708	SPRING		1				
152	1066255608	SCREW		1				
153	2776255308	NUT		1				
154	2777923011	FLYWHEEL COMPLETE		1				
155	2777943111	IGNITION COIL COMPLETE		1				
156	0655000270	SPARK PLUG CAP		1	*			
156-1	X655000270	SPARK PLUG CAP	O	1	*			
156-2	X655000271	SPARK PLUG CAP	<	1				
157	0010406200	FLANGE BOLT M6X20		2				
158	0180140020	FLANGE NUT M14X1.5X28DX12H		1				
159	0650140150	SPARK PLUG (BR6HS)		1				
160	27773102H1	WIRE 2 COMPLETE		1	*			
160-1	2777311501	WIRE 2 COMPLETE	<	1				
161	0569000020	PURSE LOCK ASS'Y		1				
162	2777630121	OIL SENSOR CP		1				
163	0010406140	FLANGE BOLT		2				
164	36A2000108	STATOR CP		1	*			
164-1	FJ20321002	STATOR COMPLETE	O	1				
165	36A2010108	ROTOR CP		1	*			
165-1	FJ90396002	ROTOR CP	O	1				
166	36A2020108	AVR CP		1	*			
166-1	FJ50199001	AVR CP	<	1				
167	36A2030008	BRUSH CP		1				
168	36A2200008	GEN BRACKET 1		1				
169	36A2210008	GEN BRACKET N		1				
170	36A2220008	GEN BRACKET 2		1				
171	36A2300008	BRACKET COVER		1				
172	36A2500008	BUSHING		1				

Please order the parts with part number.

Print Date 23/1/2024

Model No.EG241A GENERATOR

Item	Parts No.	Description	I/C	Qty	New/Old	Opt. 1	Opt. 2	Note
173	36A2100008	STATOR BOLT		3				
174	36A8000008	FLANGE BOLT		4				
175	36A8000108	FLANGE BOLT		2				
176	36A8010008	SCREW & WASHER AY		1				
177	36A8000208	FLANGE BOLT		4				
178	36A2500108	DIODE CP		1				
179	36A8010108	SCREW & WASHER AY		1				
180	36A2500208	TUBE		1				
181	36A2500308	GROMMET		1				
182	36A7000008	CONNECTOR(6P)		1				
183	36A7000208	CONNECTOR(2P)		1				
184	36A7010108	RETAINER(2P)		1				
185	36A7010008	RETAINER(3P)		2				
186	36A7100008	WIRE(GREEN)		1				
187	36A7100108	WIRE(WHITE)		1				
188	36A8020008	SCREW		4				
189	36A2110008	ROTOR BOLT		1				
190	36A2500408	SPONGE(FILTER)		1				
191	0732005820	LABEL (TRADE MARK)		1	*			
191-1	0732005821	LABEL (TRADE MARK)	O	1				
192	36A3000008	PIPE FRAME CP		1				
193	36A4000108	CONTROL BOX AY		1				
194	36A8010408	SCREW & WASHER AY		4				
195	36A8010508	SCREW & WASHER AY		4				
196	36A8100208	FLANGE NUT		8				
197	36A8000308	FLANGE BOLT		4				
198	36A3100008	MOUNT CP		4				
199	36A8000408	FLANGE BOLT		1				
200	36A8200108	LOCK WASHER		1				
201	36A2500508	SPONGE(GEN)		2				
202	36A3500008	SPONGE(TANK)		1				
203	36A3500108	SPONGE(PANEL)		1				
204	36A7100708	WIRE(GREEN/YELLOW)		1				
205	36A9100918	LABEL (SPEC)		1				
206	36A9800308	LABEL(HOT & GAS)		1				
207	36A4100108	CONTROL PANEL CP		1				
208	36A4900008	SWITCH(ENGINE)		1				
209	36A4700108	AC CONCENT (GER)		2				
210	36A4800008	CIRCUIT BREAKER(10A)		1				
211	36A4900108	VOLT METER		1				
212	36A4710108	DC CONCENT		1				
213	36A4800108	CIRCUIT BREAKER(10A)		1				
214	36A8010208	SCREW & WASHER AY		1				
215	36A8200008	LOCK WASHER		1				
216	36A8100008	FLANGE NUT		1				

Please order the parts with part number.

Print Date 23/1/2024

Model No.EG241A GENERATOR

Item	Parts No.	Description	I/C	Qty	New/Old	Opt. 1	Opt. 2	Note
217	36A8210008	CAP WASHER		1				
218	36A8220008	WASHER		1				
219	36A8230008	SPRING WASHER		1				
220	36A8110008	WING NUT		1				
221	36A7000308	CONNECTOR(2P)		1				
222	36A7000108	CONNECTOR(6P)		1				
223	36A7010108	RETAINER(2P)		1				
224	36A7010008	RETAINER(3P)		2				
225	36A8010308	SCREW & WASHER AY		2				
226	36A8020108	SCREW		8				
227	36A8100108	FLANGE NUT		8				
228	36A4990008	GROMMET		1				
229	36A7100208	WIRE(WHITE)		1				
230	36A7100308	WIRE(WHITE)		1				
231	36A7100408	WIRE(BLACK)		1				
232	36A7100508	WIRE(GREEN)		1				
233	36A7100608	WIRE(BLACK)		1				
234	36A7100808	WIRE(GRAY)		1				
235	36A7100908	WIRE(RED)		1				
236	36A7101008	WIRE(RED)		1				
237	36A7101108	WIRE(GREEN)		1				
238	36A7101208	WIRE(BLUE)		1				
239	36A9000208	LABEL(TRADE MARK)		1				
240	36A9800408	LABEL(ELEC.SHOCK)		1				
241	2706172201	FUEL TANK CP		1				
242	0430590011	FUEL TANK CAP, COMPLETE		1				
243	0641540011	FUEL FILTER		1				
244	0648001800	FUEL GAUGE CP		1				
245	0145050040	SCREW		2				
246	0110060220	FLANGE BOLT		4				
247	3913900013	RUBBER (TANK)		4				
248	0642010001	FUEL STRAINER ASS'Y		1				
D10		INC. 249-255						
249	0642004110	FILTER		1	*			
249-1	0642001420	FILTER	<	1				
250	0642001430	PACKING		1				
251	0642001410	CUP		1				
252	0642010030	LOCK NUT		1				
253	0642000330	O-RING		2				
254	0642002790	LOCK BOLT		1				
255	0642003230	SPRING		1				
256	2696260301	FUEL PIPE 3,COMPLETE		1				
D10		INC. 257						
256-1	2696261301	FUEL PIPE 3,SET		1	*			
D10		INC. 257			*			

Please order the parts with part number.

Print Date 23/1/2024

Model No.EG241A GENERATOR

Item	Parts No.	Description	I/C	Qty	New/Old	Opt. 1	Opt. 2	Note
256-2	2696261311	FUEL PIPE 3,SET	O	1				
D10		INC. 257						
257	0561110020	HOSE CLAMP 11D		2				
258	36A6000108	CORRUGATED TUBE(100)		1				
259	36A9800108	LABEL(FUEL COCK)		1				
260	36A9800208	LABEL(SYMBOL-TANK)		1				
261	2696801203	RUBBER PIPE		1	*			
261-1	2696801213	RUBBER PIPE	<	1				
262	36A8220108	WASHER		1				
263	36A7500008	NOISE FILTER		1				
264	36A8030108	BOLT & WASHER AY		1				
265	36A8010708	SCREW & WASHER AY		1				
266	36A9802108	LABEL (CE CAUTION)		1				
267	36A9802208	LABEL (SOUND 95DB)		1				
A01	27790301H0	ACCESSORY TOOL KIT		1	*			
A01-1	27790301J0	ACCESSORY TOOL KIT	O	1				
A02	36A7900008	BATTERY CABLE		1				

Please order the parts with part number.

Print Date 23/1/2024