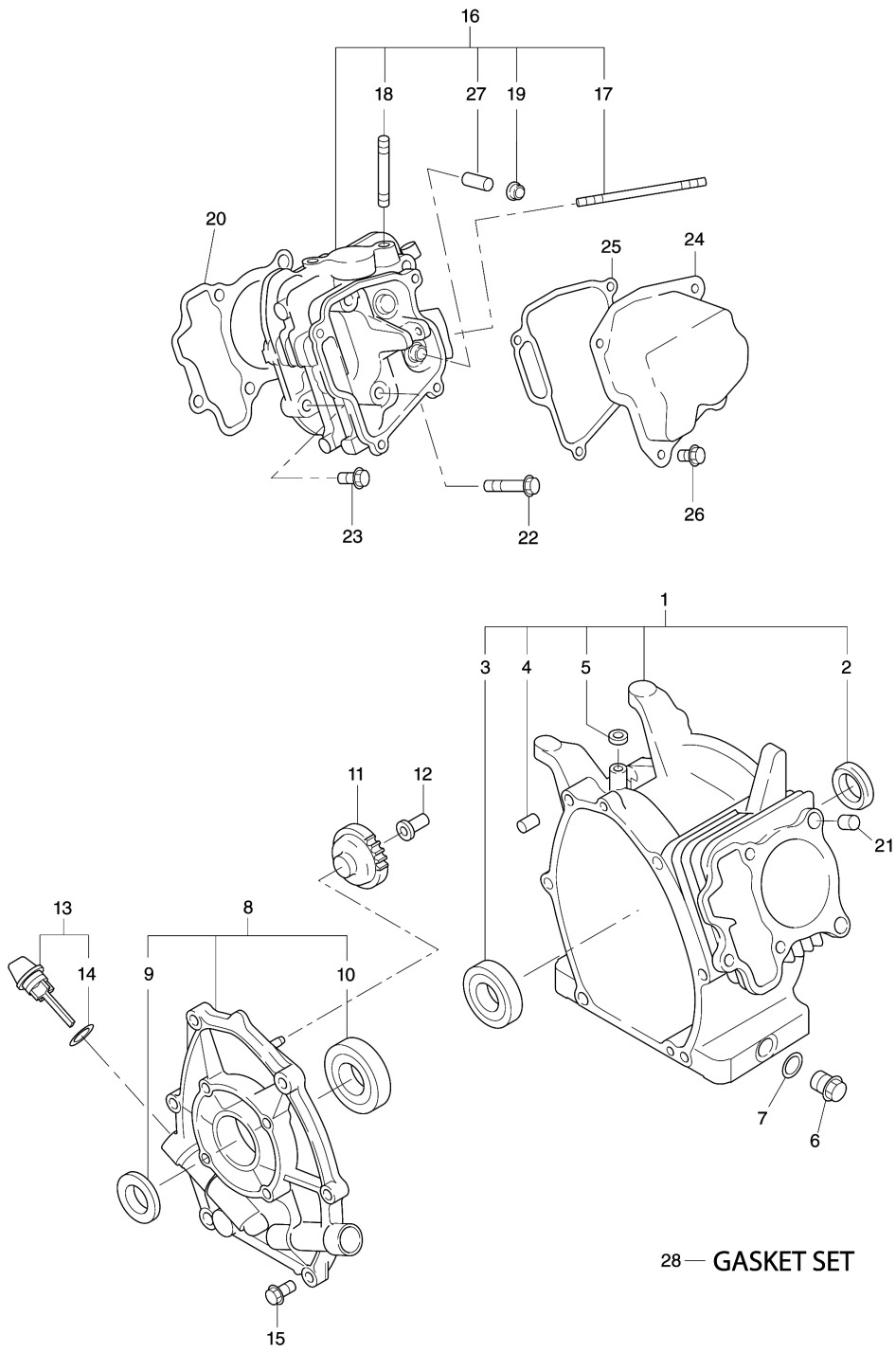
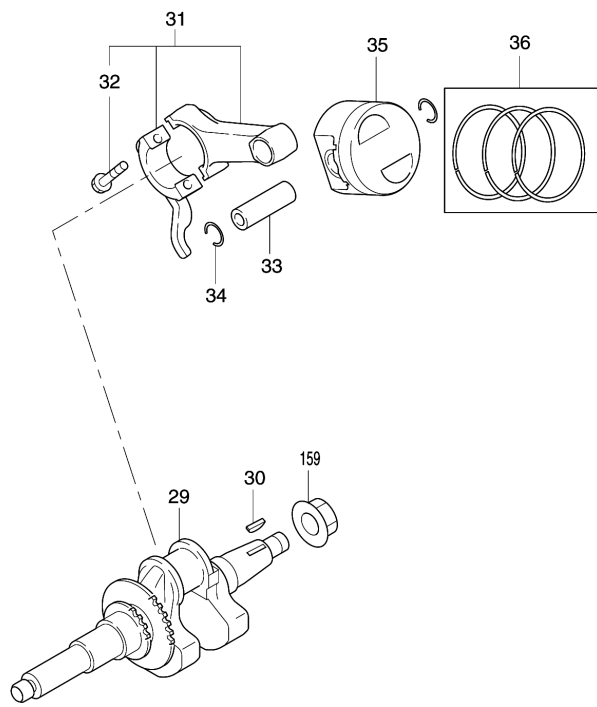


Model No.EG321A GENERATOR

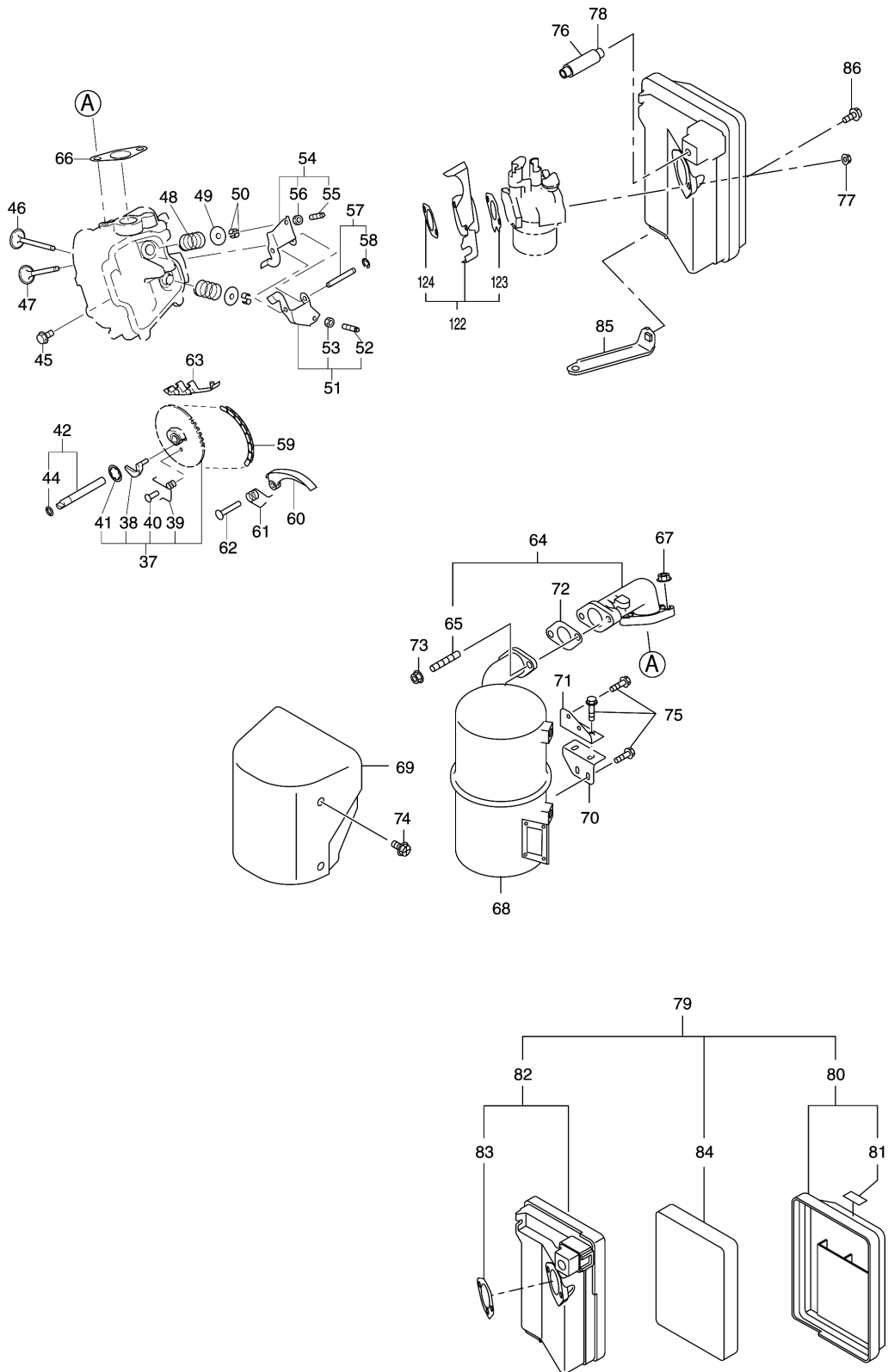


28— GASKET SET

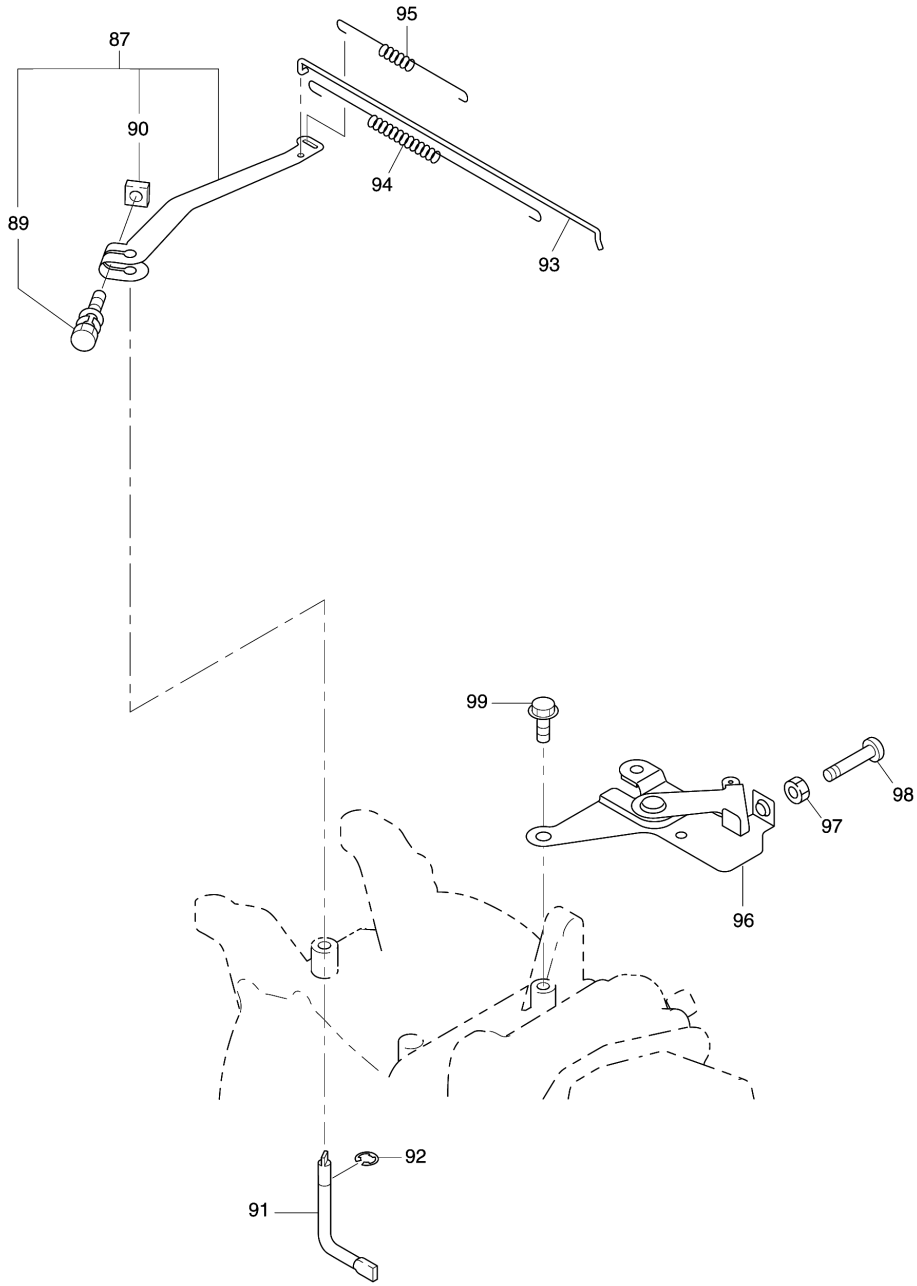
Model No.EG321A GENERATOR



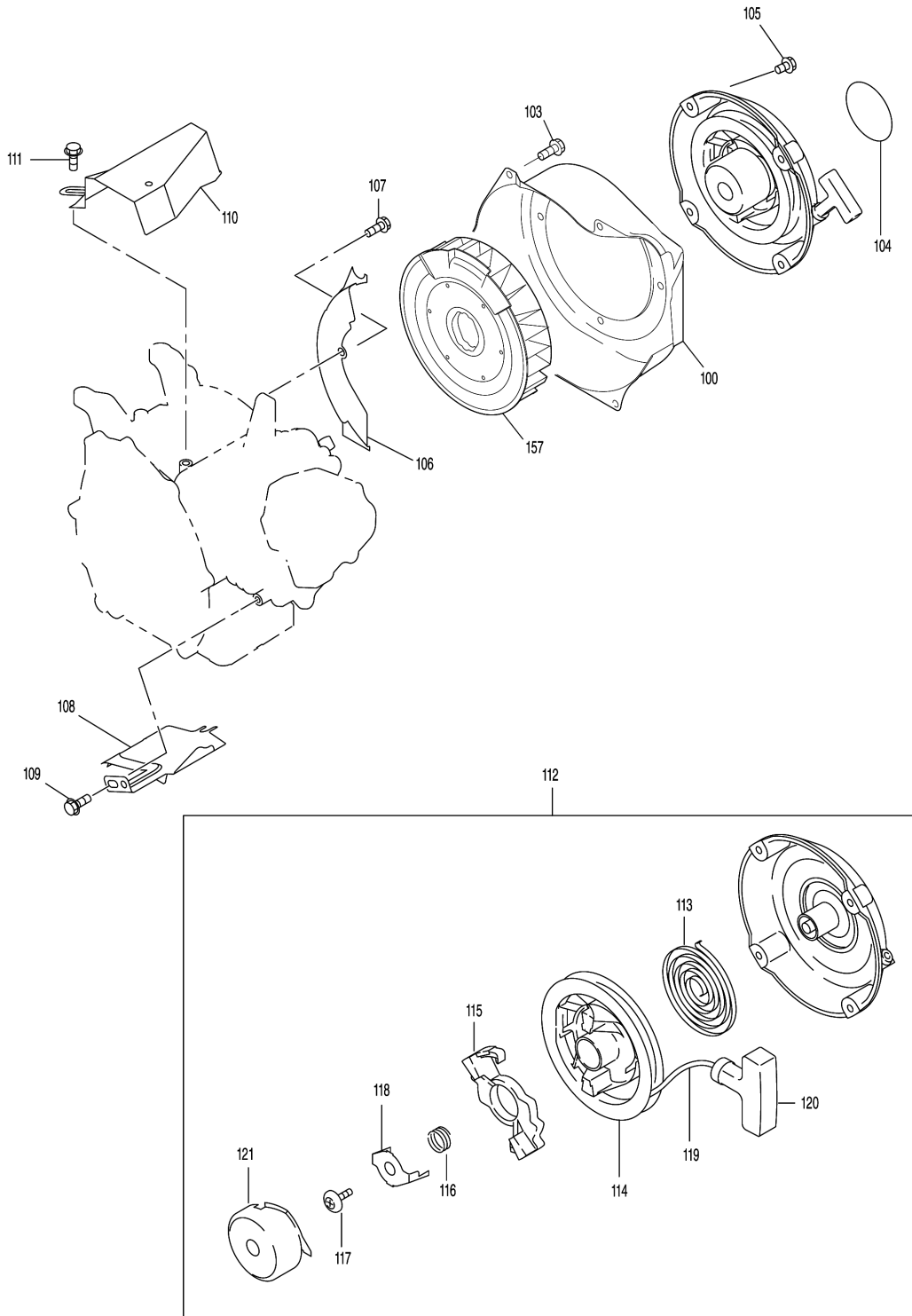
Model No.EG321A GENERATOR



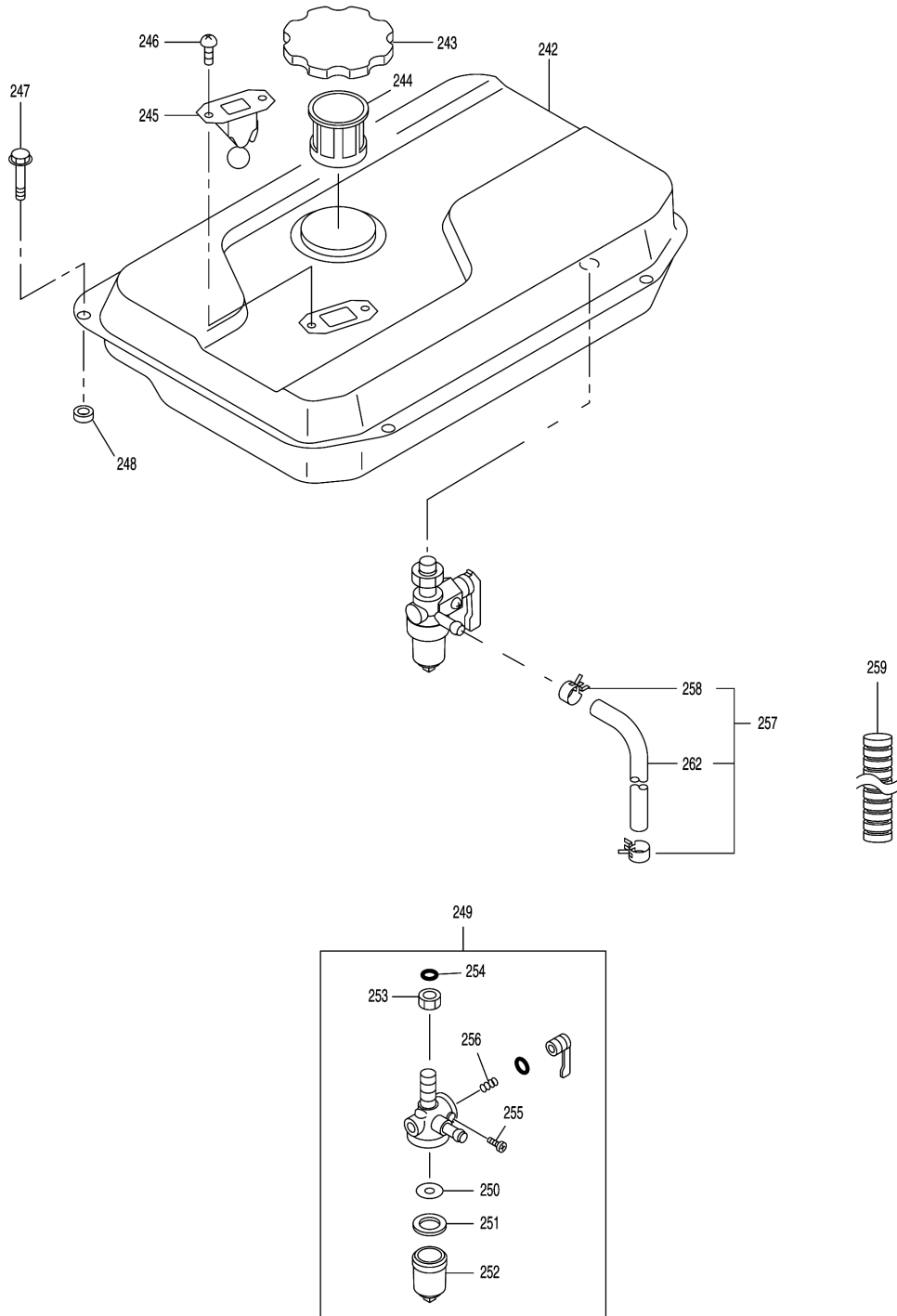
Model No.EG321A GENERATOR



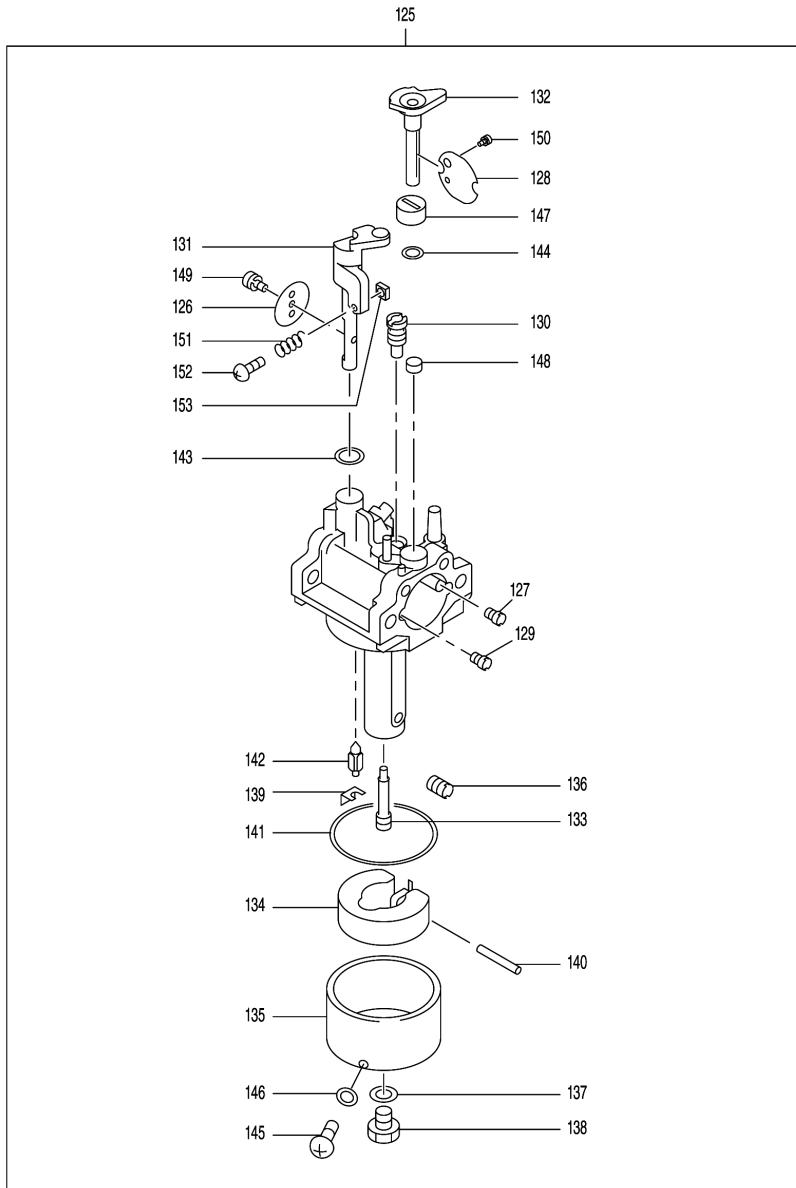
Model No.EG321A GENERATOR



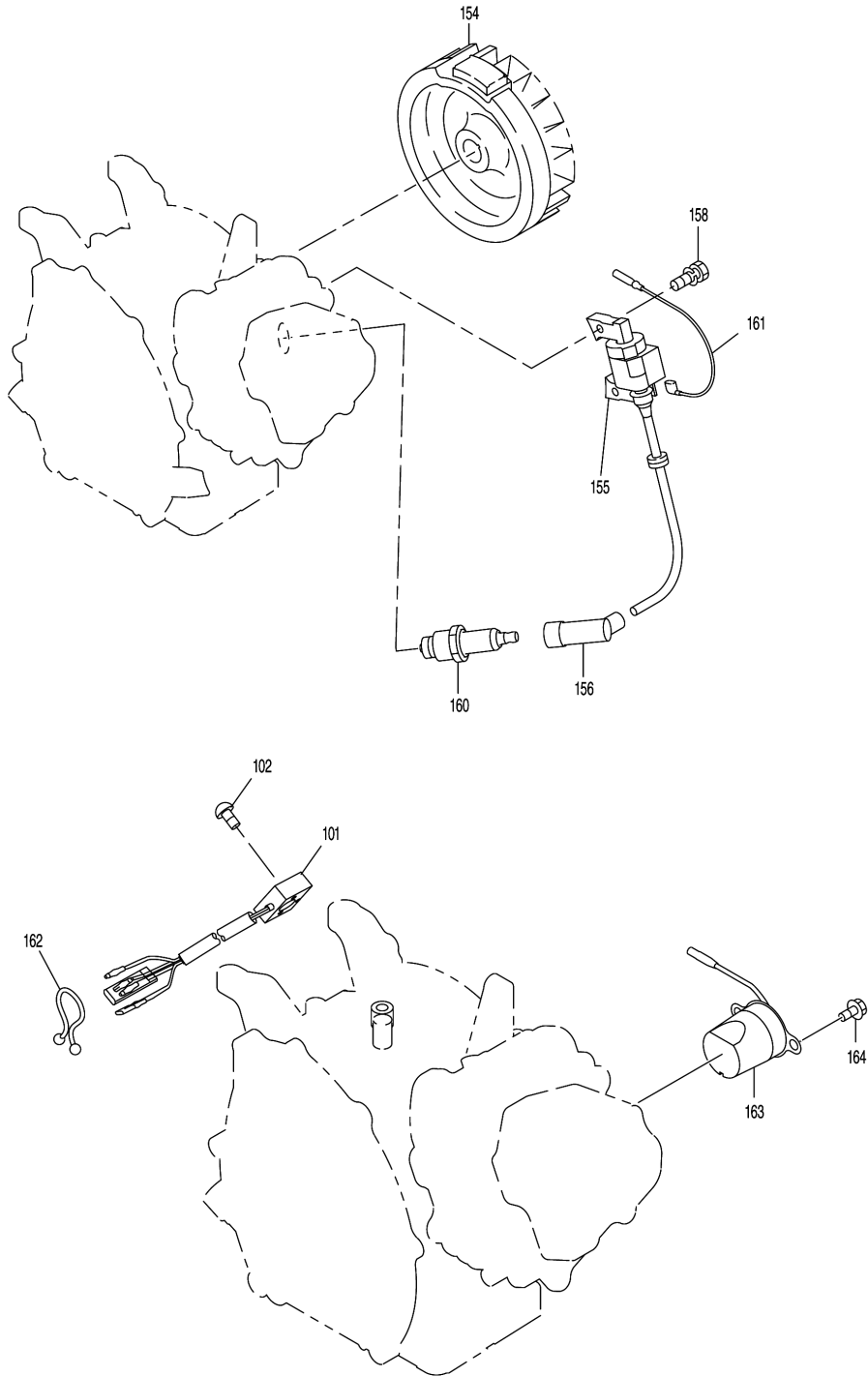
Model No.EG321A GENERATOR



Model No.EG321A GENERATOR

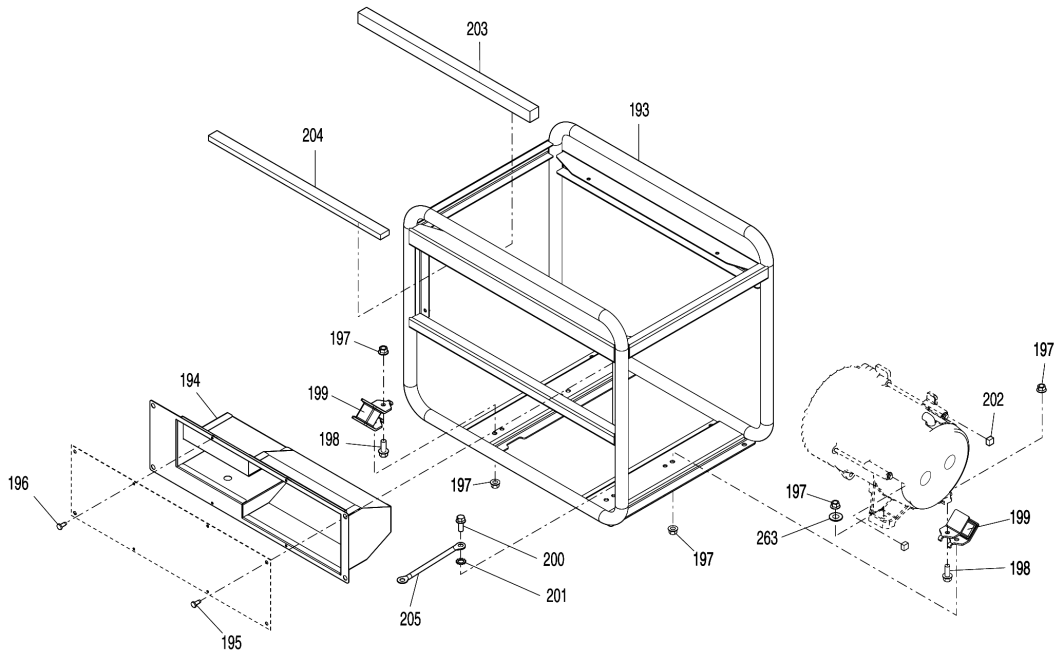
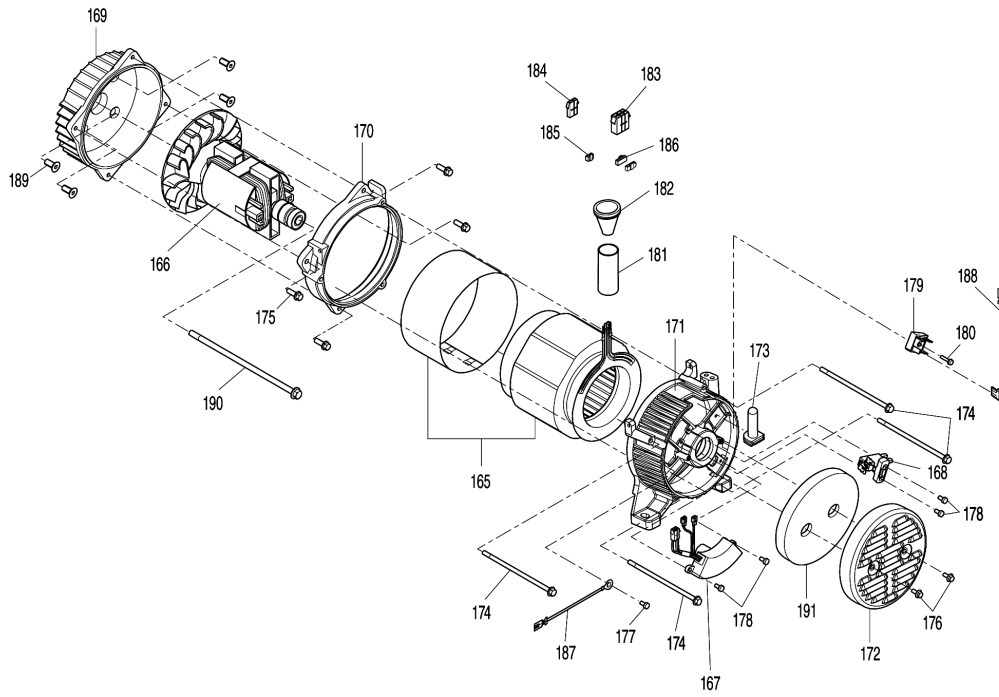


Model No.EG321A GENERATOR

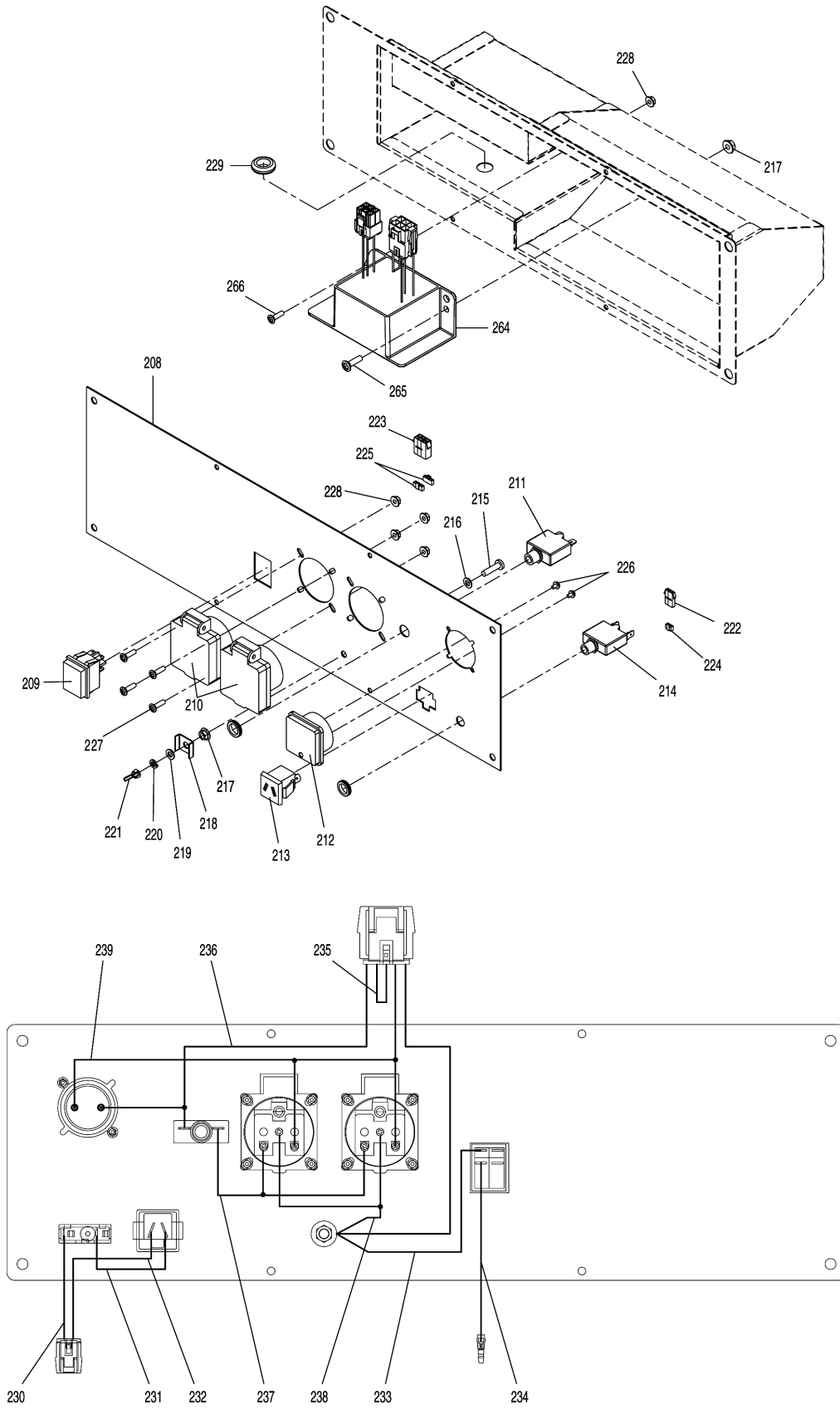




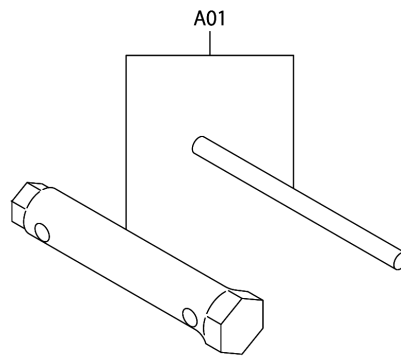
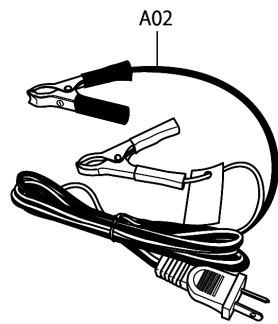
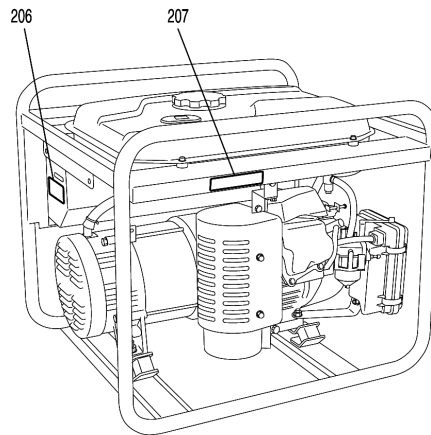
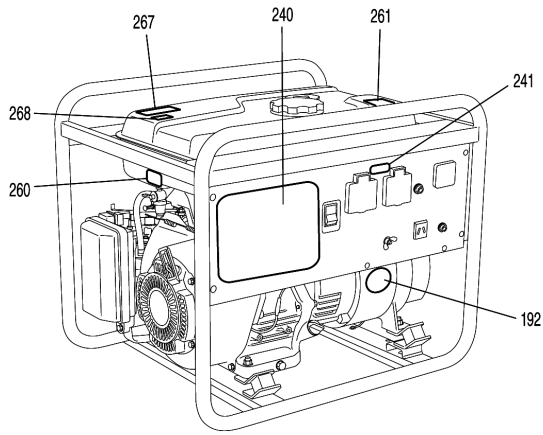
# Model No.EG321A GENERATOR



# Model No.EG321A GENERATOR



Model No.EG321A GENERATOR



Model No.EG321A GENERATOR

Item	Parts No.	Description	I/C	Qty	New/Old	Opt. 1	Opt. 2	Note
001	2781010251	CRANK CASE CP		1	*			
D10		INC. 2-5			*			
001-1	2781010261	CRANK CASE CP	<	1	*			
D10		INC. 2-5			*			
001-2	2781010271	CRANK CASE COMPLETE	<	1				
D10		INC. 2-5						
002	0440250200	OIL SEAL 25DX38DX7B		1				
003	0600280021	BALL BEARING 62/28 28DX58DX16B		1				
004	2771501103	PIPE KNOCK 10.3DX8.5DX14L		2				
005	0440060020	OIL SEAL 6DX10DX2.5B		1				
006	0401140030	PLUG		1				
007	0211140020	GASKET		1				
008	2771100131	MAIN BEARING COVER CP		1	*			
D10		INC. 9,10			*			
008-1	2771100141	MAIN BEARING COVER C	<	1	*			
D10		INC. 9,10			*			
008-2	2771100161	MAIN BEARING COVER CP	O	1				
D10		INC. 9,10						
009	0440250210	OIL SEAL 25DX41.25DX6B		1				
010	X600250140	BALL BEARING 6205		1	*			
010-1	0600250140	BALL BEARING 6205 25DX52DX15B	O	1				
011	27745004J1	GOVERNOR GEAR CP		1	*			
011-1	27745004K1	GOVERNOR GEAR CP	<	1				
012	2774190103	GOVERNOR SLEEVE		1	*			
012-1	2774190201	GOVERNOR SLEEVE CP	<	1				
013	2776360130	OIL GAUGE		2				
D10		INC. 14						
014	0213160020	GASKET 16DX23X1.2T		2	*			
014-1	2776360108	GASKET	<	2	*			
014-2	0213160020	GASKET 16DX23X1.2T	O	2				
015	0010408350	FLANGE BOLT		6				
016	2781300211	CYLINDER HEAD CP		1				
D10		INC. 17,18,27						
017	0105060351	STUD M6X1.0X98L		2				
018	0105080290	MUFFLER STUD		2				
019	2771601001	STEM SEAL		1				
020	2771500133	GASKET(HEAD)		1	*			
020-1	2771500143	GASKET(HEAD)	<	1				
021	2771501103	PIPE KNOCK 10.3DX8.5DX14L		2				
022	0110080240	FLANGE BOLT M8X1.25X16DX68L		4				
023	0110080310	FLANGE BOLT M8X33L		1				
024	2771550301	ROCKER COVER CP		1	*			
024-1	2771550311	ROCKER COVER CP	<	1				
025	2771600113	GASKET(ROCKER COVER)T=0.7		1	*			

Please order the parts with part number.

Print Date 18/10/2023

Model No.EG321A GENERATOR

Item	Parts No.	Description	I/C	Qty	New/Old	Opt. 1	Opt. 2	Note
025-1	2771600123	GASKET(ROCKER COVER)T=0.7	<	1				
026	0110060020	FLANGE BOLT M6X1.0X14DX12L		4				
027	2371420203	VALVE GUIDE (OVERSIZE)		2				
028	2779900147	GASKET SET		1	*			
D10		INC. 1-27			*			
D11		INC. 7,14,20,25,66,123,124			*			
028-1	2779900157	GASKET SET	<	1	*			
D11		INC. 7,14,20,25,66,123,124			*			
028-2	2779900167	GASKET SET	O	1	*			
D11		INC. 7,14,20,25,66,123,124			*			
028-3	2779900177	GASKET SET	O	1				
D11		INC. 7,14,20,25,66,123,124						
029	2782070131	CRANKSHAFT COMPLETE		1				
030	0323030010	WOODRUFF KEY		1				
031	2782250110	CONNECTING ROD ASSY		1				
D10		INC. 32						
032	2772300103	CONNECTING ROD BOLT		2				
033	2772330113	PISTON PIN 16DX11DX48.5L		1				
034	0565160010	CLIP		2				
035	27723401J3	PISTON STD		1				
035A_	27723403J3	PISTON 0.25 OVER SIZE		1				
035B_	27723404J3	PISTON 0.50 OVER SIZE		1				
036	2772353107	PISTON RING SET STD OIL 3PCS.		1				
036A_	2772353207	PISTON RING SET.25 O.S.OIL3PCS		1				
036B_	2772353307	PISTON RING SET.50 O.S.OIL3PCS		1				
037	2783160131	CAM SHAFT CP		1	*			
D10		INC. 38-41			*			
037-1	2783160141	CAM SHAFT CP	<	1	*			
D10		INC. 38-41			*			
037-2	2783160151	CAM SHAFT CP	<	1	*			
D10		INC. 38-41			*			
037-3	2783160161	CAM SHAFT CP	<	1	*			
D10		INC. 38-41			*			
037-4	2783160171	CAM SHAFT CP	<	1	*			
D10		INC. 38-41			*			
038	2773640103	RELEASE LEVER		1	*			
038-1	2773640113	RELEASE LEVER	<	1				
039	2793870113	RETURN SPRING		1	*			
039-1	2773870303	RETURN SPRING	X	1	*			
039-2	2773870313	RETURN SPRING	<	1	*			
039-3	2773870323	RETURN SPRING	S	1	*			
039-4	2773870333	RETURN SPRING	<	1				
040	2773860103	PIN(SPRING) 4DX8DX9L		1				

Please order the parts with part number.

Print Date 18/10/2023

Model No.EG321A GENERATOR

Item	Parts No.	Description	I/C	Qty	New/Old	Opt. 1	Opt. 2	Note
041	2773650103	CLIP 13.8DX20.3DX0.4T		1				
042	2773510101	PIN(CAM SHAFT)CP		1				
D10		INC. 43,44						
043	2773510103	PIN(CAM SHAFT)9DX78.5L		1	*			
044	0240060030	O-RING		1				
045	0110060010	FLANGE BOLT M6X1.0X14DX8L		1				
046	27733401H3	INTAKE VALVE		1	*			
046-1	20A3340103	INTAKE VALVE	O	1				
047	27733501H3	EXHAUST VALVE 23.5DX5.5DX68.1L		1	*			
047-1	20A3350103	EXHAUST VALVE 23.5DX5.5DX68.1L	O	1				
048	2793360103	VALVE SPING		2				
049	2693370103	SPRING RETAINER		2				
050	13210KA031	COLLET VALVE		4				
051	2773620100	LOCKER ARM(INTAKE) ASS'Y		1				
D10		INC. 52,53						
052	0149050020	ADJUST SCREW M5X23		1				
053	0170050030	NUT M5		1				
054	2773620200	ROCKER ARM(EXHAUST)ASS'Y		1				
D10		INC. 55,56						
055	0149050020	ADJUST SCREW M5X23		1				
056	0170050030	NUT M5		1				
057	2773500401	PIN(ROCKER) CP		1				
D10		INC. 58						
058	0031305000	CLIP		1				
059	2783560111	TIMING CHAIN COMPLETE		1				
059-1	27835602H1	TIMING CHAIN COMPLETE		1				
060	2773691103	TENSIONER		1	*			
060-1	20A3691103	TENSIONER	<	1				
061	2773710103	SPRING(TENSIONER)		1				
062	2773690203	PIN(TENSIONER) 6DX13DX34L		1				
063	2773691313	CHAIN GUIDE		1	*			
063-1	20A3691303	CHAIN GUIDE	<	1				
064	2773400101	EXHAUST PIPE COMPLETE		1				
D10		INC. 65						
065	0105080290	MUFFLER STUD		2				
066	2773520113	GASKET(MUFFLER)		1				
067	0023808000	FLANGE NUT		2				
068	2773051101	MUFFLER CP		1				
069	2773470101	MUFFLER COVER CP		1				
070	2773910101	MUFFLER BRACKET 1 CP		1				
071	2773910201	MUFFLER BRACKET 2 CP		1				
072	2773520101	GASKET EXHAUST T=1.6 28DX52P		1				
073	0023808000	FLANGE NUT		2				

Please order the parts with part number.

Print Date 18/10/2023

Model No.EG321A GENERATOR

Item	Parts No.	Description	I/C	Qty	New/Old	Opt. 1	Opt. 2	Note
074	0110060010	FLANGE BOLT M6X1.0X14DX8L		4				
075	0011406160	BOLT & WASHER ASS'Y		6				
076	2776900103	SPONGE PROTECTOR		1				
076-1	2776900203	SPONGE PROTECTOR		1				
077	0023806000	FLANGE NUT M6		2				
078	2773276208	BREATHER PIPE		1				
079	2773262220	AIR CLEANER ASSY		1	*			
D10		INC. 80-84			*			
079-1	2773262230	AIR CLEANER ASSY	O	1	*			
D10		INC. 80-84			*			
079-2	2773272230	AIR CLEANER ASSY	O	1				
D10		INC. 80-84						
080	2773264318	COVER CP		1	*			
D10		INC. 81			*			
080-1	2773264328	COVER CP	<	1				
081	0732004430	LABEL(CHOKE)		1	*			
082	2773263208	BASE COMPLETE		1				
083	2773260408	PACKING		1				
084	2773266117	ELEMENT		1				
085	2783900111	BRACKET(A/C) CP		1	*			
085-1	2783900121	BRACKET(A/C) CP	O	1				
086	0010406200	FLANGE BOLT M6X20		1				
087	2774230140	GOVERNOR LEVER		1				
D10		INC.088-090			*			
D11		INC.089-090						
088	2774230143	GOVERNOR LEVER		1	*			
089	0130060240	BOLT AND WASHER ASS'Y		1	*			
089-1	0011406250	BOLT & WASHER ASS'Y	<	1				
090	0186060020	NUT M6X1.0X4.9H		1				
091	2774220133	GOVERNOR SHAFT		1				
092	0031305000	CLIP		1				
093	2774270123	GOVERNOR ROD COMPLETE		1				
094	2774280123	ROD SPRING 7DX.5DX182L N=16		1				
095	2794250543	GOVERNOR SPRING		1				
096	2774650111	SPEED CONTROL COMPLETE		1				
097	0021706000	NUT M6		1				
098	0043106400	SCREW		1				
099	0110060020	FLANGE BOLT M6X1.0X14DX12L		2				
100	2785120501	BLOWER HOUSING CP		1				
101	KU31107001	FLOAT C/U CP4		1	*			
101-1	KU31107021	FLOAT C/U CP4	O	1				
102	0150040090	TAPPING SCREW 4X12		2				
103	0110060030	FLANGE BOLT M6X1.0X14DX14L		4				
104	0732005820	LABEL (TRADE MARK)		1	*			

Please order the parts with part number.

Print Date 18/10/2023

Model No.EG321A GENERATOR

Item	Parts No.	Description	I/C	Qty	New/Old	Opt. 1	Opt. 2	Note
104-1	0732005821	LABEL (TRADE MARK)	O	1				
105	0130060281	BOLT AND WASHER AY		4				
106	2775271121	BAFFLE 1 CP		1	*			
106-1	20A5271101	BAFFLE 1 (CASE) COMPLETE	<	1				
107	0010406140	FLANGE BOLT		1				
108	2775270203	BAFFLE 2(HEAD) COMPLETE		1				
109	0110060020	FLANGE BOLT M6X1.0X14DX12L		1				
110	2785500111	DUCT (CASE) CP		1	*			
110-1	2785500201	DUCT (CASE) COMPLETE	O	1				
111	0110060020	FLANGE BOLT M6X1.0X14DX12L		3				
112	2785030120	RECOIL STARTER AY		1	*			
D10		INC. 113-121			*			
112-1	2785030130	RECOIL STARTER AY	<	1				
D10		INC. 113-121						
113	2265071608	SPIRAL SPRING		1				
114	2775012108	REEL		1				
115	2815032508	RATCHET		1				
116	2815033008	FRICITION SPRING		1				
117	2815035108	CENTER SCREW		1				
118	2815034008	FRICITION PLATE		1				
119	2775011008	STARTER ROPE		1				
120	2815030018	STARTER KNOB		1				
121	2785014608	STARTER PULLEY		1				
122	27732902J1	INSULATOR COMPLETE		1	*			
D10		INC. 123-124			*			
122-1	20A3290201	INSULATOR COMPLETE	O	1				
D10		INC. 123-124						
123	27735902J3	GASKET 1(INSULATOR)		1	*			
123-1	20A3590203	GASKET 1(INSULATOR)	O	1				
124	27735903J3	GASKET 2(INSULATOR)		1	*			
124-1	20A3590303	GASKET 2(INSULATOR)	O	1				
125	2786231410	CARBURETOR AY		1	*			
D10		INC. 126-153			*			
125-1	2786231420	CARBURETOR AY	<	1	*			
D10		INC. 126-153			*			
125-2	2786231430	CARBURETOR AY	<	1				
D10		INC. 126-153						
126	2776253508	THROTTLE VALVE #160		1				
127	1066241008	AIR JET(PILOT)		1				
128	2776252708	VALVE CHOKE		1				
129	1066241108	AIR JET		1				
130	2786242008	PILOT JET		1				
131	2776253118	THROTTLE SHAFT-A		1				
132	2776252208	CHOKE LEVER		1				

Please order the parts with part number.

Print Date 18/10/2023



Model No.EG321A GENERATOR

Item	Parts No.	Description	I/C	Qty	New/Old	Opt. 1	Opt. 2	Note
133	2786244008	MAIN NOZZLE		1				
134	2266250608	FLOAT ASS'Y		1				
135	2776250608	FLOAT BODY		1				
136	2776240308	MAIN JET		1				
137	2146245008	PACKING		1				
138	2276245108	BOLT		1				
139	2266270118	CLIP		1				
140	2776251508	PIN		1				
141	2146254008	FLOAT CHAMBER PACKING		1				
142	2776250008	NEEDLE		1				
143	2466239008	SEAL		1				
144	2366268008	SEAL		1				
145	2776236008	BOLT		1				
146	2366254108	PACKING		1				
147	2776257028	RING		1				
148	2776257108	RING		1				
149	2096235108	SCREW ASS'Y		1				
150	2376245108	SCREW		2				
151	2836235708	SPRING		1				
152	1066255608	SCREW		1				
153	2776255308	NUT		1				
154	2787924021	FLYWHEEL CP		1				
155	2777943111	IGNITION COIL COMPLETE		1				
156	0655000270	SPARK PLUG CAP		1	*			
156-1	X655000270	SPARK PLUG CAP	O	1	*			
156-2	X655000271	SPARK PLUG CAP	<	1				
157	2785410103	COOLING BLOWER		1				
157-1	27854111H3	COOLING BLOWER		1				
158	0010406200	FLANGE BOLT M6X20		2				
159	0180140020	FLANGE NUT M14X1.5X28DX12H		1				
160	0650140150	SPARK PLUG (BR6HS)		1				
161	27773102H1	WIRE 2 COMPLETE		1	*			
161-1	2777311501	WIRE 2 COMPLETE	<	1				
162	0569000020	PURSE LOCK ASS'Y		1				
163	2777630121	OIL SENSOR CP		1				
164	0010406140	FLANGE BOLT		2				
165	36B2000108	STATOR CP		1	*			
165-1	FJ20328002	STATOR COMPLETE	O	1				
166	36B2010108	ROTOR CP		1	*			
166-1	FJ90399002	ROTOR COMPLETE	O	1				
167	36B2020108	AVR CP		1	*			
167-1	FJ50206001	AVR COMPLETE	<	1				
168	36A2030008	BRUSH CP		1				
169	36A2200008	GEN BRACKET 1		1				
170	36A2210008	GEN BRACKET N		1				

Please order the parts with part number.

Print Date 18/10/2023

Model No.EG321A GENERATOR

Item	Parts No.	Description	I/C	Qty	New/Old	Opt. 1	Opt. 2	Note
171	36A2220008	GEN BRACKET 2		1				
172	36A2300008	BRACKET COVER		1				
173	36A2500008	BUSHING		1				
174	36B2100008	STATOR BOLT		3				
175	36A8000008	FLANGE BOLT		4				
176	36A8000108	FLANGE BOLT		2				
177	36A8010008	SCREW & WASHER AY		1				
178	36A8000208	FLANGE BOLT		4				
179	36A2500108	DIODE CP		1				
180	36A8010108	SCREW & WASHER AY		1				
181	36A2500208	TUBE		1				
182	36A2500308	GROMMET		1				
183	36A7000008	CONNECTOR(6P)		1				
184	36A7000208	CONNECTOR(2P)		1				
185	36A7010108	RETAINER(2P)		1				
186	36A7010008	RETAINER(3P)		2				
187	36A7100008	WIRE(GREEN)		1				
188	36A7100108	WIRE(WHITE)		1				
189	36A8020008	SCREW		4				
190	36B2110008	ROTOR BOLT		1				
191	36A2500408	SPONGE(FILTER)		1				
192	0732005820	LABEL (TRADE MARK)		1	*			
192-1	0732005821	LABEL (TRADE MARK)	O	1				
193	36B3000008	PIPE FRAME CP		1				
194	36A4000108	CONTROL BOX AY		1				
195	36A8010408	SCREW & WASHER AY		4				
196	36A8010508	SCREW & WASHER AY		4				
197	36A8100208	FLANGE NUT		8				
198	36A8000308	FLANGE BOLT		4				
199	36A3100008	MOUNT CP		4				
200	36A8000408	FLANGE BOLT		1				
201	36A8200108	LOCK WASHER		1				
202	36A2500508	SPONGE(GEN)		2				
203	36A3500008	SPONGE(TANK)		1				
204	36A3500108	SPONGE(PANEL)		1				
205	36A7100708	WIRE(GREEN/YELLOW)		1				
206	36B9100918	LABEL (SPEC)		1				
207	36A9800308	LABEL(HOT & GAS)		1				
208	36B4100708	CONTROL PANEL CP		1				
209	36A4900008	SWITCH(ENGINE)		1				
210	36A4700108	AC CONCENT (GER)		2				
211	36B4800008	CIRCUIT BREAKER(12A)		1				
212	36A4900108	VOLT METER		1				
213	36A4710108	DC CONCENT		1				
214	36A4800108	CIRCUIT BREAKER(10A)		1				

Please order the parts with part number.

Print Date 18/10/2023

Model No.EG321A GENERATOR

Item	Parts No.	Description	I/C	Qty	New/Old	Opt. 1	Opt. 2	Note
215	36A8010208	SCREW & WASHER AY		1				
216	36A8200008	LOCK WASHER		1				
217	36A8100008	FLANGE NUT		1				
218	36A8210008	CAP WASHER		1				
219	36A8220008	WASHER		1				
220	36A8230008	SPRING WASHER		1				
221	36A8110008	WING NUT		1				
222	36A7000308	CONNECTOR(2P)		1				
223	36A7000108	CONNECTOR(6P)		1				
224	36A7010108	RETAINER(2P)		1				
225	36A7010008	RETAINER(3P)		2				
226	36A8010308	SCREW & WASHER AY		2				
227	36A8020108	SCREW		8				
228	36A8100108	FLANGE NUT		8				
229	36A4990008	GROMMET		1				
230	36A7100208	WIRE(WHITE)		1				
231	36A7100308	WIRE(WHITE)		1				
232	36A7100408	WIRE(BLACK)		1				
233	36A7100508	WIRE(GREEN)		1				
234	36A7100608	WIRE(BLACK)		1				
235	36A7100808	WIRE(GRAY)		1				
236	36A7100908	WIRE(RED)		1				
237	36A7101008	WIRE(RED)		1				
238	36A7101108	WIRE(GREEN)		1				
239	36A7101208	WIRE(BLUE)		1				
240	36B9000208	LABEL(TRADE MARK)		1				
241	36A9800408	LABEL(ELEC.SHOCK)		1				
242	2706172201	FUEL TANK CP		1				
243	0430590011	FUEL TANK CAP, COMPLETE		1				
244	0641540011	FUEL FILTER		1				
245	0648001800	FUEL GAUGE CP		1				
246	0145050040	SCREW		2				
247	0110060220	FLANGE BOLT		4				
248	3913900013	RUBBER (TANK)		4				
249	0642010001	FUEL STRAINER ASS'Y		1				
D10		INC. 250-256						
250	0642004110	FILTER		1	*			
250-1	0642001420	FILTER	<	1				
251	0642001430	PACKING		1				
252	0642001410	CUP		1				
253	0642010030	LOCK NUT		1				
254	0642000330	O-RING		2				
255	0642002790	LOCK BOLT		1				
256	0642003230	SPRING		1				
257	2696260301	FUEL PIPE 3,COMPLETE		1				

Please order the parts with part number.

Print Date 18/10/2023

Model No.EG321A GENERATOR

Item	Parts No.	Description	I/C	Qty	New/Old	Opt. 1	Opt. 2	Note
D10		INC. 258						
257-1	2676261201	FUEL PIPE COMPLETE		1				
D10		INC. 258						
258	0561100030	HOSE CLAMP		2				
259	36A6000108	CORRUGATED TUBE(100)		1				
260	36A9800108	LABEL(FUEL COCK)		1				
261	36A9800208	LABEL(SYMBOL-TANK)		1				
262	0851061960	RUBBER PIPE		1				
263	36A8220108	WASHER		1				
264	36A7500008	NOISE FILTER		1				
265	36A8030108	BOLT & WASHER AY		1				
266	36A8010708	SCREW & WASHER AY		1				
267	36A9802108	LABEL (CE CAUTION)		1				
268	36B9800108	LABEL (SOUND 96DB)		1				
A01	27790301H0	ACCESSORY TOOL KIT		1	*			
A01-1	27790301J0	ACCESSORY TOOL KIT	O	1				
A02	36A7900008	BATTERY CABLE		1				

Please order the parts with part number.

Print Date 18/10/2023