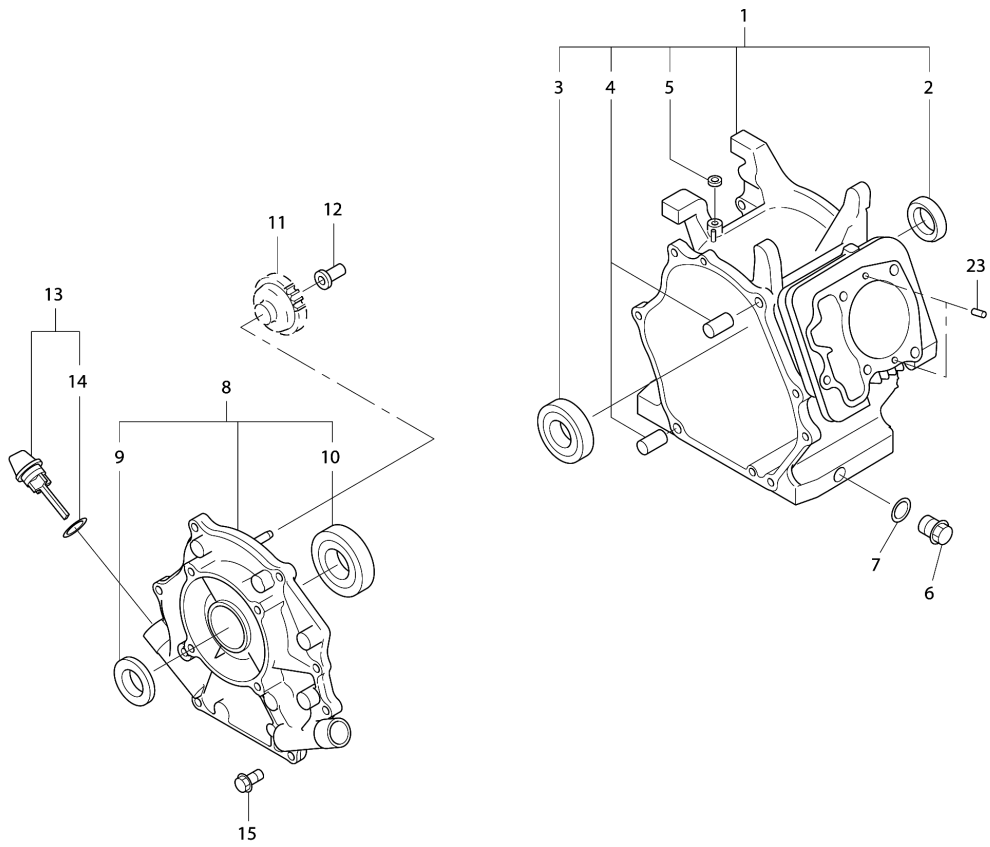
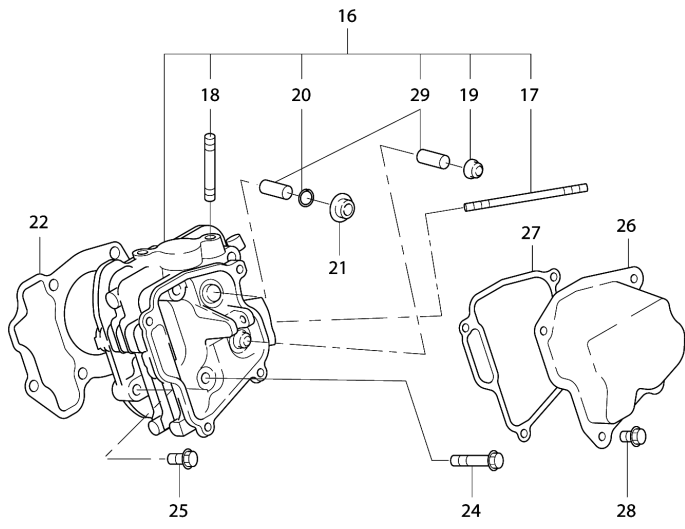
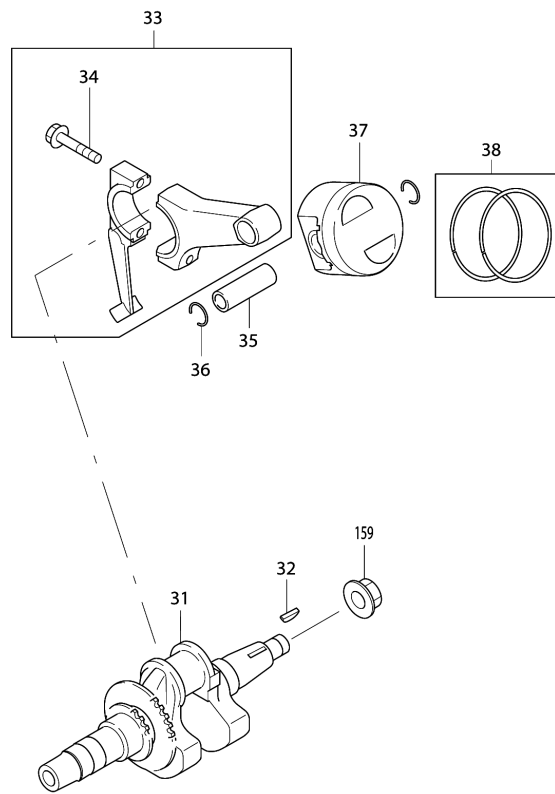


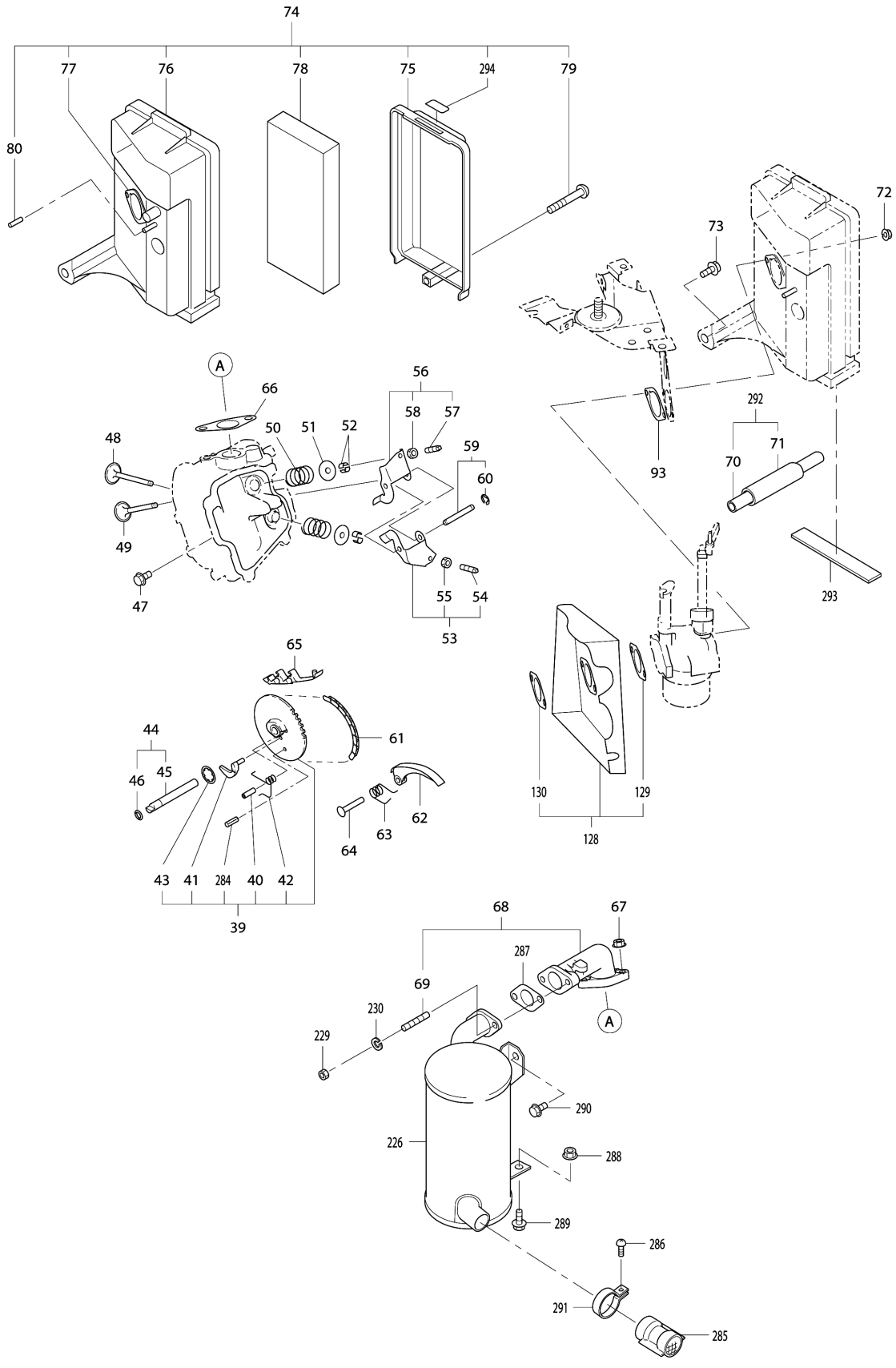
Model No.EG601A GENERATOR



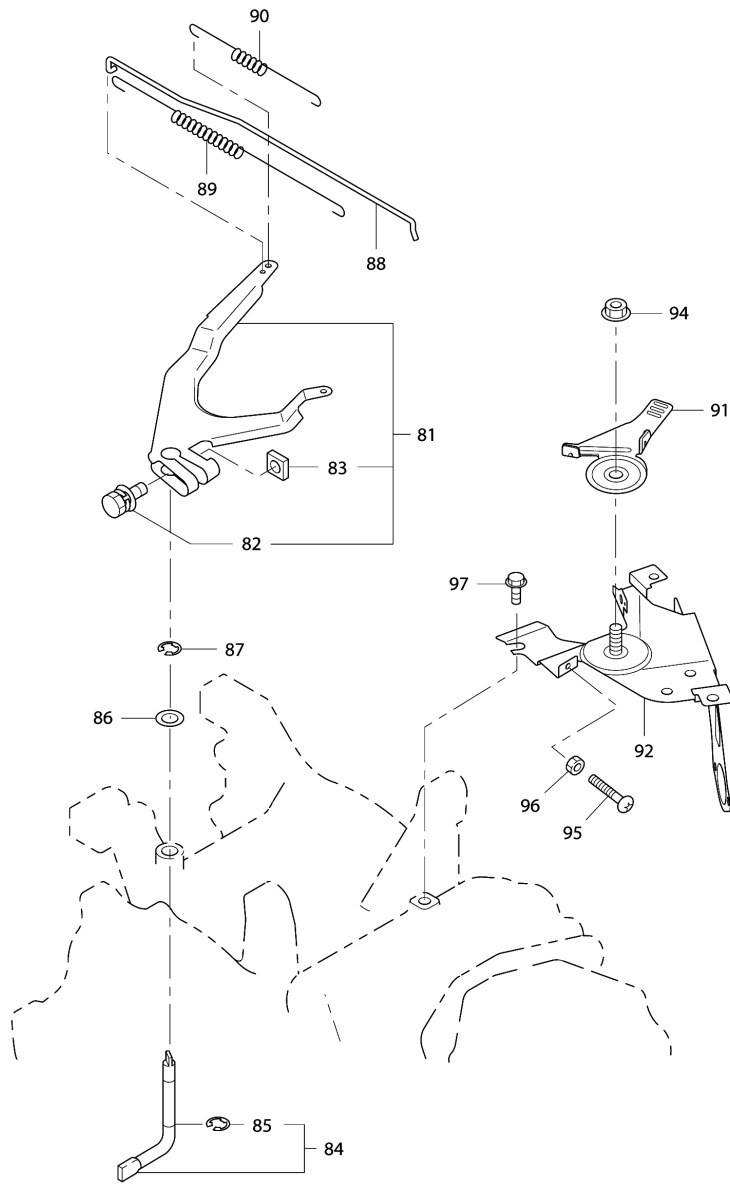
Model No.EG601A GENERATOR



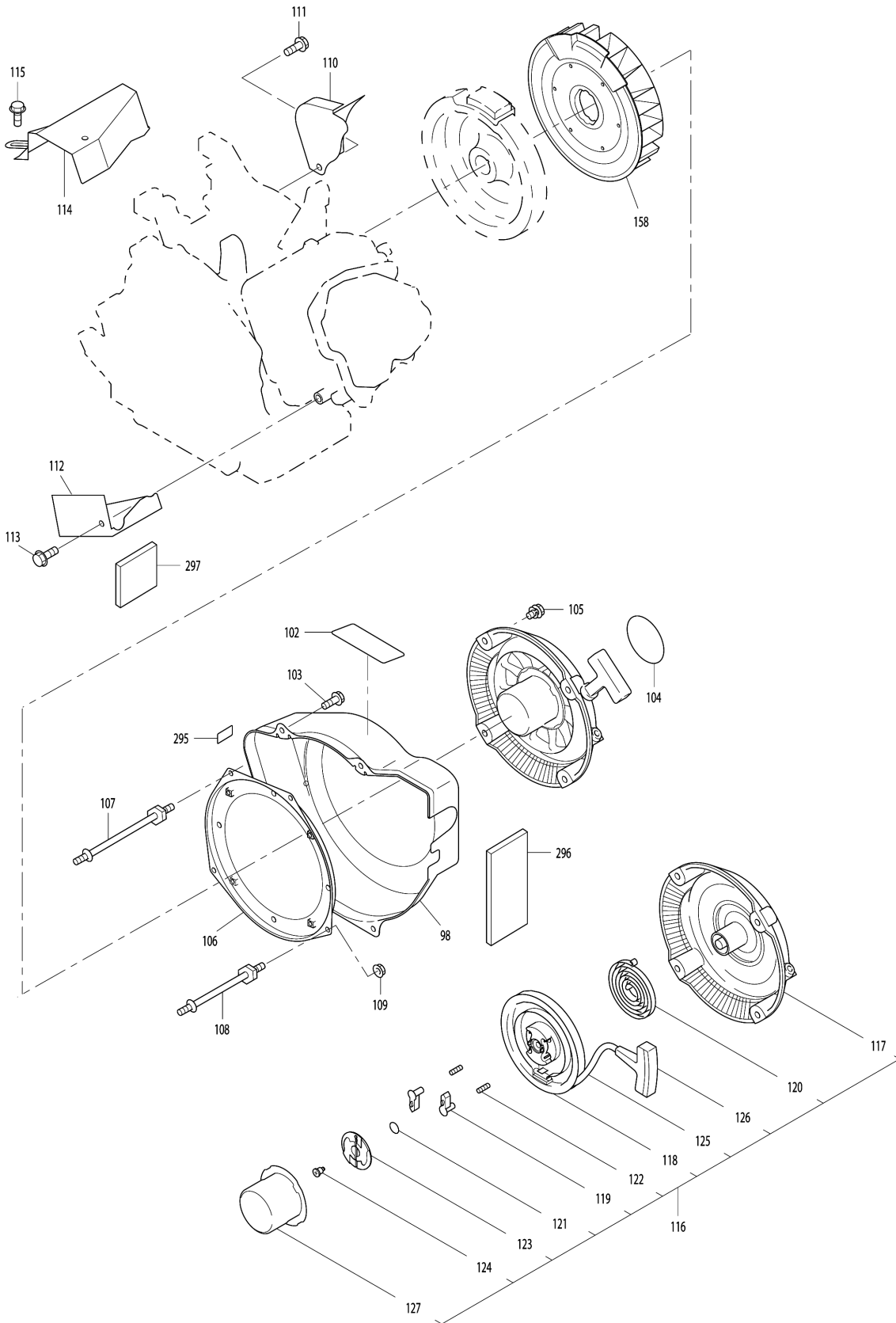
# Model No.EG601A GENERATOR



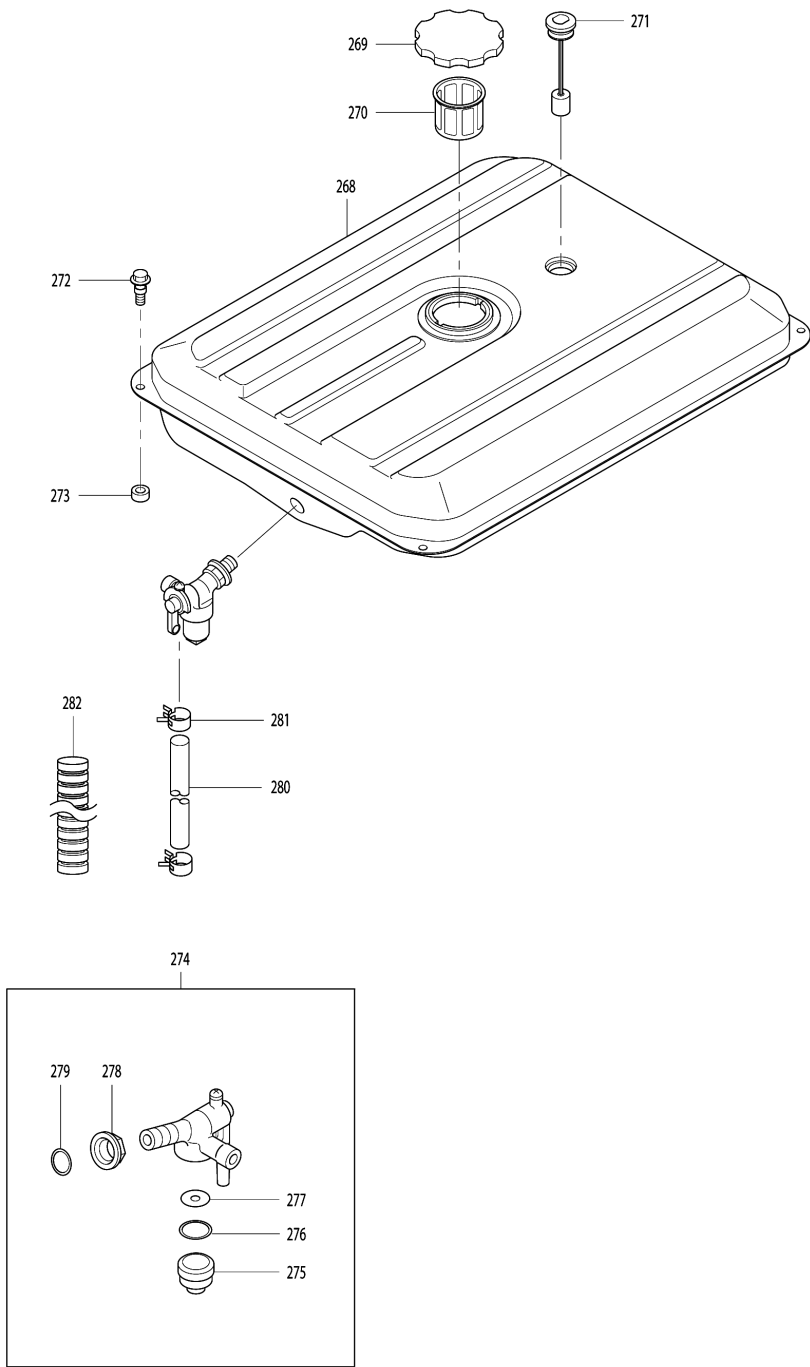
Model No.EG601A GENERATOR



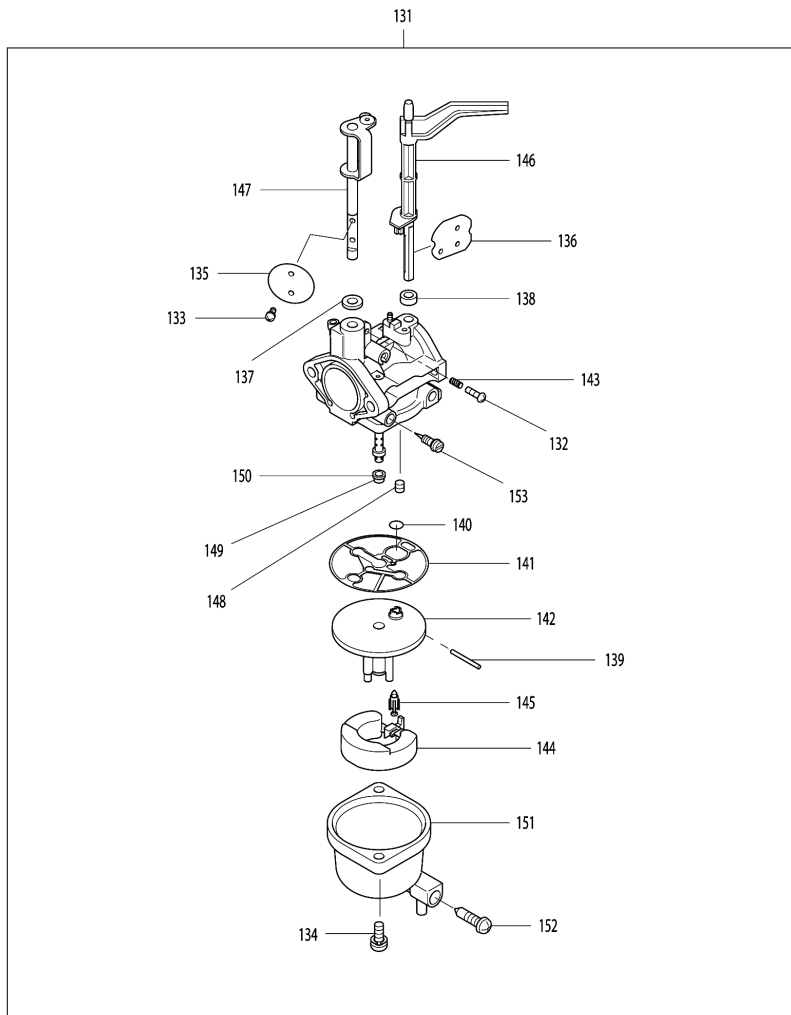
# Model No.EG601A GENERATOR



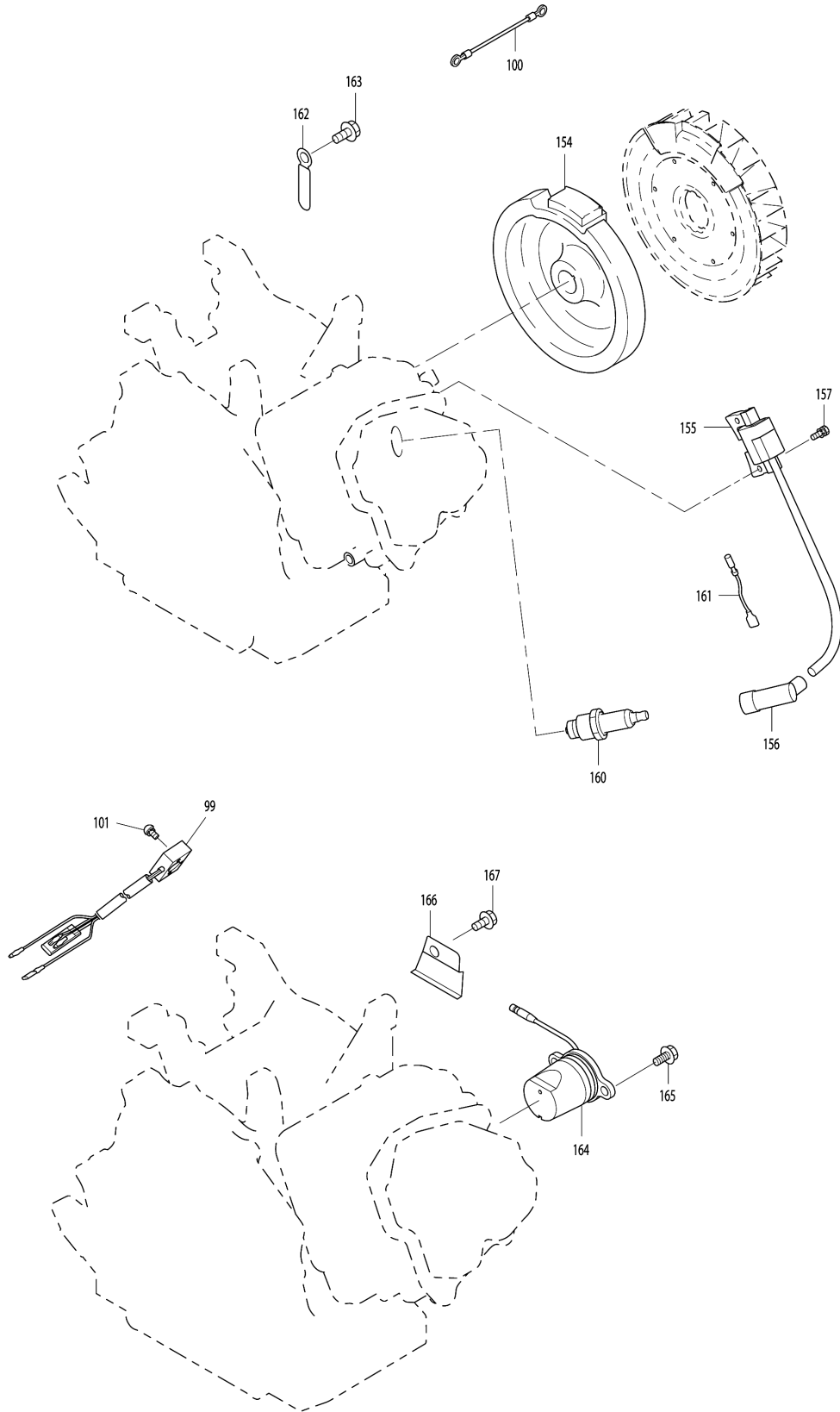
Model No.EG601A GENERATOR



Model No.EG601A GENERATOR

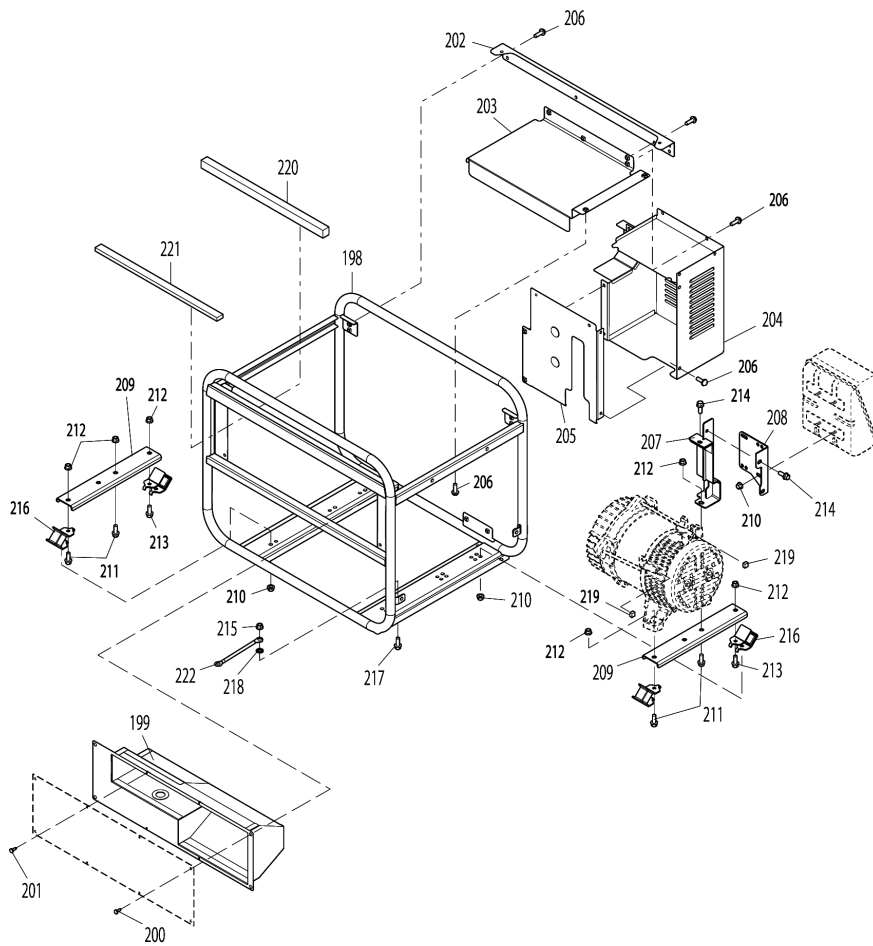
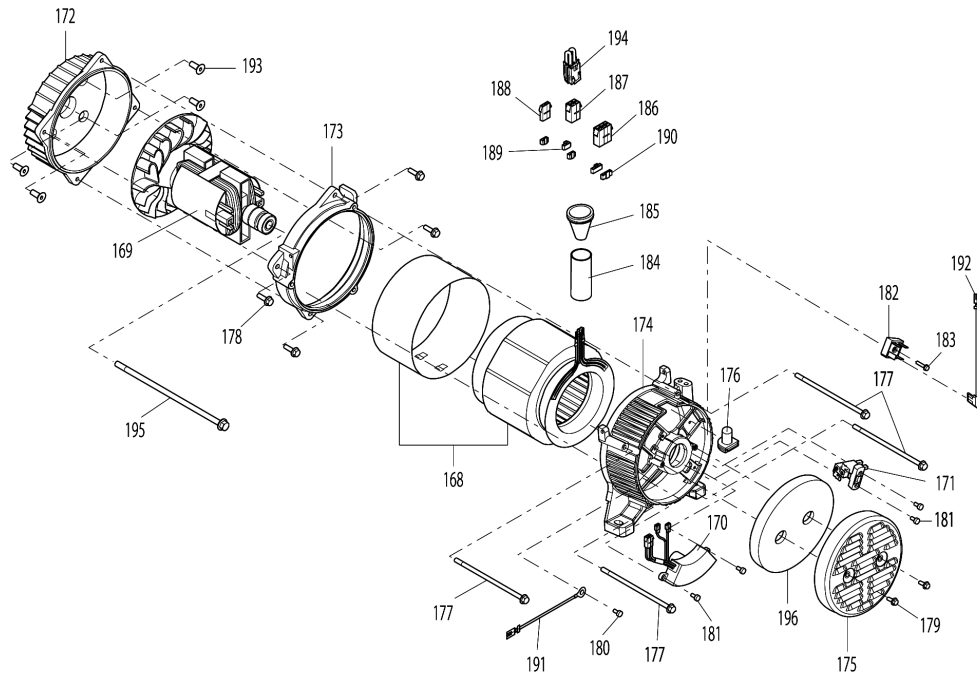


Model No.EG601A GENERATOR

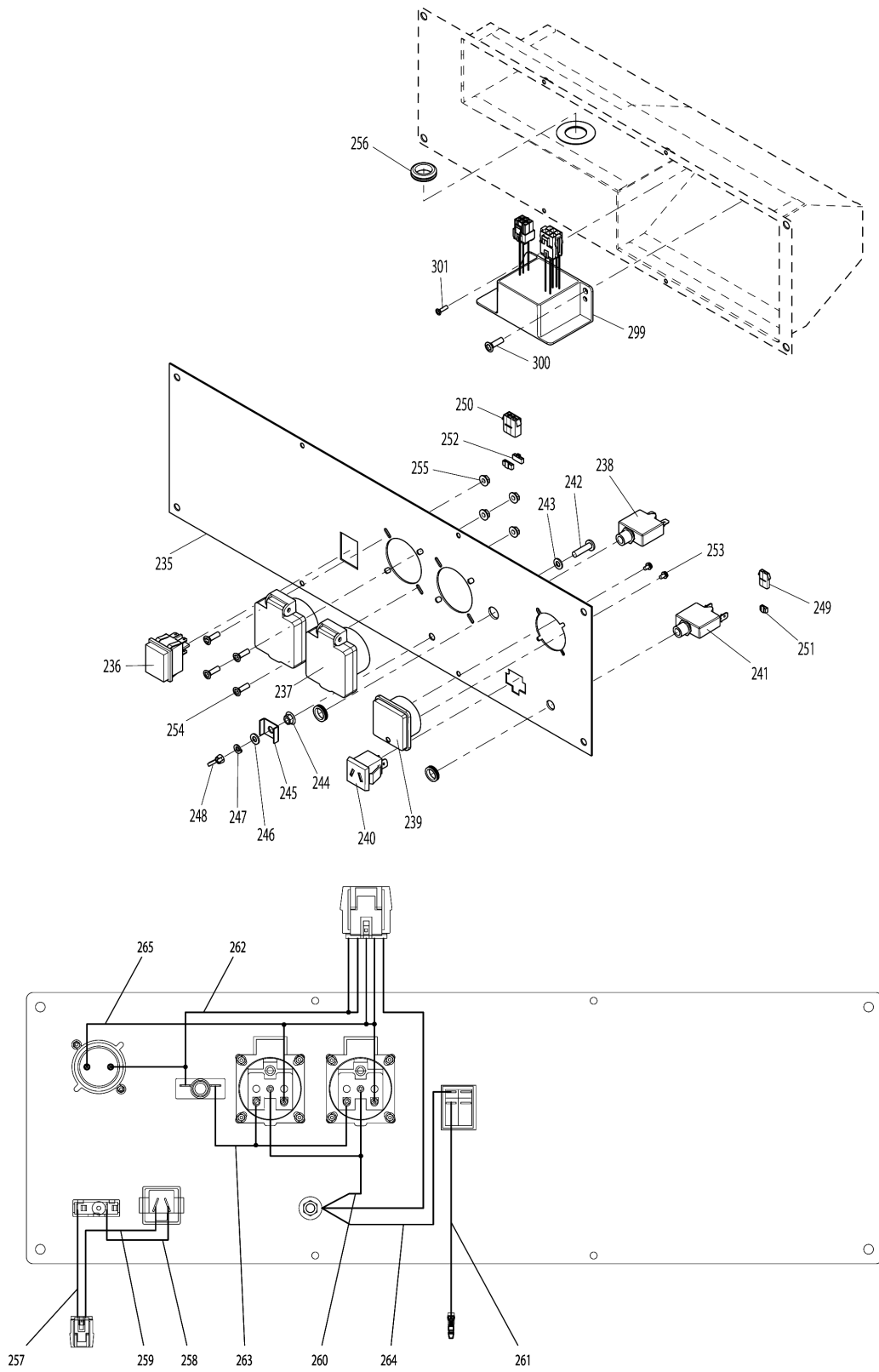




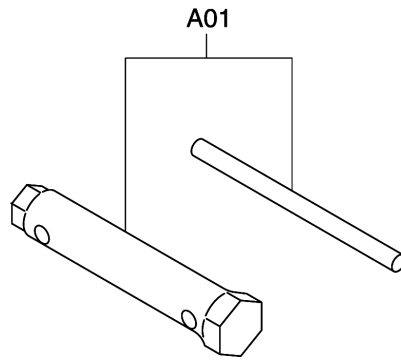
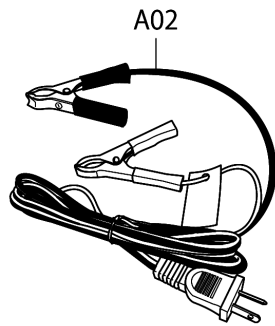
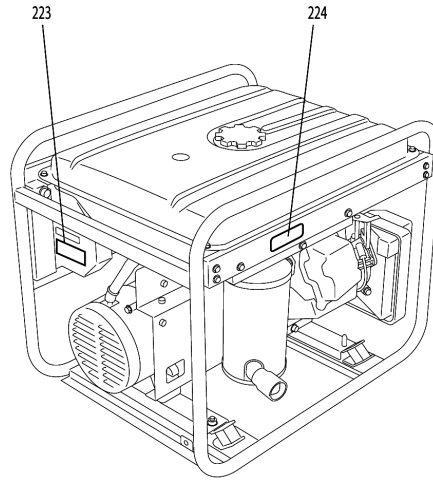
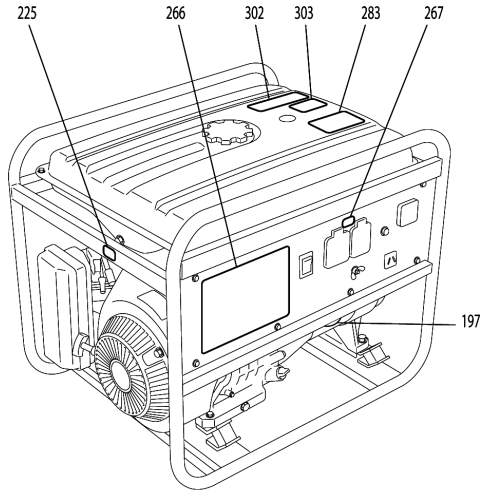
# Model No.EG601A GENERATOR



# Model No.EG601A GENERATOR



Model No.EG601A GENERATOR



Model No.EG601A GENERATOR

Item	Parts No.	Description	I/C	Qty	New/Old	Opt. 1	Opt. 2	Note
001	20E1010421	CRANK CASE CP		1	*			
D10		INC. 2-5			*			
001-1	20E1010431	CRANK CASE CP	O	1	*			
D10		INC. 2-5			*			
001-2	20E1010441	CRANK CASE CP	<	1				
D10		INC. 2-5						
002	0440350090	OIL SEAL (TB 35X48X8MM)		1	*			
002-1	0440350091	OIL SEAL (TB 35X48X8MM)	<	1				
003	X600350240	BALL BEARING		1	*			
003-1	0600350300	BALL BEARING	O	1				
004	2771501103	PIPE KNOCK 10.3DX8.5DX14L		2				
005	0440080010	OIL SEAL		1				
006	0401140030	PLUG		1				
007	0211140020	GASKET		1				
008	20B1100411	MAINBEARING COVER CP		1	*			
D10		INC. 9-10			*			
008-1	20B1100421	MAINBEARING COVER CP	<	1	*			
D10		INC. 9-10			*			
008-2	20B1100431	MAIN BEARING COVER CP	O	1				
D10		INC. 9-10						
009	0440350090	OIL SEAL (TB 35X48X8MM)		1	*			
009-1	0440350091	OIL SEAL (TB 35X48X8MM)	<	1				
010	X600350240	BALL BEARING		1	*			
010-1	0600350300	BALL BEARING	O	1				
011	20B4500301	GOVERNOR GEAR CP		1	*			
011-1	20B4500311	GOVERNOR GEAR CP	<	1				
012	2774190103	GOVERNOR SLEEVE		1	*			
012-1	2774190201	GOVERNOR SLEEVE CP	<	1				
013	2796360130	OIL GAUGE AY		2				
D10		INC. 14						
014	0213200050	GASKET		1	*			
014-1	0213200050	GASKET	<	2	*			
014-2	2796360108	GASKET	<	2	*			
014-3	0213200050	GASKET	O	2				
015	0110080340	FLANGE BOLT		8				
016	20B1300101	CYLINDER HEAD CP		1	*			
D10		INC. 17-18,29			*			
016-1	20B1300100	CYLINDER HEAD AY	<	1				
D10		INC. 17-20,29						
017	0105060351	STUD M6X1.0X98L		2				
018	0105080290	MUFFLER STUD		2				
019	13207AA050	SEAL(INTAKE VALVE)		1				
019-1	13211AA110	SEAL(INTAKE VALVE)		1				
020	0565100050	CLIP		1				
021	2633534103	RETAINER PLATE		1				

Please order the parts with part number.

Print Date 18/10/2023

Model No.EG601A GENERATOR

Item	Parts No.	Description	I/C	Qty	New/Old	Opt. 1	Opt. 2	Note
022	20B1500103	GASKET(HEAD)		1	*			
022-1	20B1500123	GASKET(HEAD)	O	1	*			
022-2	20B1500133	GASKET(HEAD)	O	1				
023	0310060010	DOWEL PIN		2				
024	0110100040	FLANGE BOLT		4				
025	0010408350	FLANGE BOLT		2				
026	20B1550101	ROCKER COVER CP		1				
027	20B1600103	GASKET(ROCKER COVER)		1				
028	0110060020	FLANGE BOLT M6X1.0X14DX12L		4				
029	20B1420203	VALVE GUIDE		2				
030	20B9900107	GASKET SET		1	*			
030-1	20B9900117	GASKET SET	O	1	*			
030-2	20B9900117	GASKET SET	<	1	*			
D10		INC.007,014,022,027,066,093,			*			
D20		INC.129,130			*			
030-3	20B9900127	GASKET SET	<	1	*			
D10		INC.007,014,022,027,066,093,			*			
D20		INC.129,130			*			
030-4	20B9900137	GASKET SET	O	1				
D10		INC.007,014,022,027,066,093,						
D20		INC.129,130						
031	20B2070101	CRANK SHAFT CP		1				
032	0053205401	WOODRUFF KEY		1				
033	20B2250100	CONNECTING ROD AY		1	*			
D10		INC. 34			*			
033-1	20B2250300	CONNECTING ROD AY	<	1				
D10		INC. 34						
034	0010508400	FLANGE BOLT		2				
035	2632330133	PISTON PIN		1				
036	0565210020	CLIP		2				
037	20B23401H3	PISTON		1	*			
037-1	20B23401J3	PISTON	<	1	*			
037-2	22B23401J7	PISTON SET	S	1				
D10		INC. 38						
037A_	20B23403H3	PISTON O/S 0.25		1	*			
037A1	20B23403J3	PISTON O/S 0.25	<	1	*			
037A2	22B23403J7	PISTON SET O/S 0.25	S	1	*			
D10		INC. 38A			*			
037A3	22B23403J3	PISTON O/S 0.25	X	1				
037B_	20B23404H3	PISTON O/S 0.5		1	*			
037B1	20B23404J3	PISTON O/S 0.5	<	1	*			
037B2	22B23404J7	PISTON SET O/S 0.5	S	1				
D10		INC. 38B						
038	20B2350107	PISTON RING SET		1	*			
038-1	22B2350107	PISTON RING SET	X	1				

Please order the parts with part number.

Print Date 18/10/2023

Model No.EG601A GENERATOR

Item	Parts No.	Description	I/C	Qty	New/Old	Opt. 1	Opt. 2	Note
038A_	20B2350207	PISTON RING SET O/S 0.25		1	*			
038A1	22B2350207	PISTON RING SET O/S 0.25	X	1				
038B_	20B2350307	PISTON RING SET O/S 0.5		1	*			
038B1	22B2350307	PISTON RING SET O/S 0.5	X	1				
039	20B3160210	CAMSHAFT AY		1	*			
D10		INC. 40-43			*			
039-1	20B3160100	CAMSHAFT AY		1	*			
039-2	20B3160110	CAMSHAFT AY		1	*			
039-3	20B3160120	CAMSHAFT AY	<	1	*			
039-4	20B3160220	CAM SHAFT ASSY	<	1				
040	0051904100	SPRING PIN		2				
041	2773640103	RELEASE LEVER		1	*			
041-1	2773640113	RELEASE LEVER	<	1				
042	20B3870103	RETURN SPRING		1				
043	20B3650103	CLIP		1				
044	20B3510121	PIN (CAM SHAFT) CP		1				
D10		INC. 45-46						
045	20B3510103	PIN(CAM SHAFT)		1				
046	0240070021	O-RING		1				
047	0110060010	FLANGE BOLT M6X1.0X14DX8L		1				
048	20B33401H3	INTAKE VALVE		1				
049	20B33501H3	EXHAUST VALVE		1	*			
049-1	20B33502H3	EXHAUST VALVE	<	1				
050	2463361103	VALVE SPRING		2				
051	2463371113	SPRING RETAINER		2				
052	2463550103	COLLET-VALVE		4				
053	20B3610100	ROCKER ARM(IN) AY		1				
D10		INC. 54-55						
054	0149050020	ADJUST SCREW M5X23		1				
055	0170050030	NUT M5		1				
056	20B3610210	ROCKER ARM(EX) AY		1				
D10		INC. 57-58						
057	0149050020	ADJUST SCREW M5X23		1				
058	0170050030	NUT M5		1				
059	20B3500101	PIN(ROCKER)CP		1				
D10		INC. 60						
060	0031306000	CLIP		1				
061	20B35601H1	TIMING CHAIN CP		1				
062	2773691103	TENSIONER		1	*			
062-1	20A3691103	TENSIONER	<	1				
063	2773710103	SPRING(TENSIONER)		1				
064	2773690203	PIN(TENSIONER) 6DX13DX34L		1				
065	2773691313	CHAIN GUIDE		1	*			
065-1	20A3691303	CHAIN GUIDE	<	1				
066	20B3520103	GASKET(MUFFLER)		1	*			

Please order the parts with part number.

Print Date 18/10/2023

Model No.EG601A GENERATOR

Item	Parts No.	Description	I/C	Qty	New/Old	Opt. 1	Opt. 2	Note
066-1	20B3520113	GASKET(MUFFLER)	O	1				
067	9802008280	FLANGE NUT M8		2	*			
067-1	0023808000	FLANGE NUT	O	2				
068	20B3400101	EXHAUST PIPE CP		1				
D10		INC. 69						
069	0105080290	MUFFLER STUD		2				
070	X851100170	RUBBER PIPE		1				
071	20B69001H3	SPONGE PROTECTOR		1				
072	0023806000	FLANGE NUT M6		2				
073	0010406160	FLANGE BOLT		1				
074	20B32621H0	AIR CLEANER AY		1	*			
D10		INC. 75-80			*			
074-1	20B32621J0	AIR CLEANER AY	<	1				
D10		INC. 75-80						
075	20B32640H8	COVER CP		1				
076	20B32631H8	BODY CP		1	*			
076-1	20B32631J8	BODY COMPLETE	<	1				
077	20B32720H8	PACKING		1				
078	20B32610H7	ELEMENT AY		1	*			
078-1	20B32610J7	ELEMENT AY	<	1				
079	20B32650H8	BOLT		1				
080	20B32850H8	CAP		1				
081	20B4230110	GOVERNOR LEVER AY		1	*			
D10		INC. 82-83			*			
081-1	20B4230120	GOVERNOR LEVER AY	O	1				
D10		INC. 82-83						
082	0011406250	BOLT & WASHER ASS'Y		1				
083	0186060020	NUT M6X1.0X4.9H		1				
084	20B4220101	GOVERNOR SHAFT CP		1				
085	0031306000	CLIP		1				
086	0031108000	WASHER		1				
087	0031306000	CLIP		1				
088	20B4270113	GOVERNOR ROD		1				
089	20B4280113	ROD SPRING		1				
090	20B4250213	GOVERNOR SPRING		1				
091	20B4335103	SPEED CONTROL LEVER		1				
092	20B4600121	SPEED CONTROL BKT CP		1				
093	20B3590313	GASKET 3		1				
094	0023506000	SELF LOCK NUT		1				
095	0043106400	SCREW		1				
096	0022706000	NUT M6		1				
097	0110060020	FLANGE BOLT M6X1.0X14DX12L		1				
098	20B51201H1	BLOWER HOUSING CP		1				
099	KU31107601	FLOAT C/U CP10		1	*			
099-1	KU31107621	FLOAT C/U CP10	O	1				

Please order the parts with part number.

Print Date 18/10/2023

Model No.EG601A GENERATOR

Item	Parts No.	Description	I/C	Qty	New/Old	Opt. 1	Opt. 2	Note
100	20B7310201	WIRE 2 CP		1				
101	0043604120	SCREW AND WASHER AY		2				
102	0732005760	LABEL(WARNING)		1				
103	0010406160	FLANGE BOLT		5				
104	0732005820	LABEL (TRADE MARK)		1	*			
104-1	0732005821	LABEL (TRADE MARK)	O	1				
105	0130060281	BOLT AND WASHER AY		4				
106	20B5510102	RECOIL BRACKET UN		1				
107	0100080440	BOLT		2				
108	0100080450	BOLT		2				
109	0023806000	FLANGE NUT M6		4				
110	2795271111	BAFFLE 1 (CASE) COMPLETE		1				
111	0016508120	BOLT		1				
112	20B52702H1	BAFFLE 2(HEAD) CP		1				
113	0110060020	FLANGE BOLT M6X1.0X14DX12L		3				
114	20B5500103	DUCT(CASE)		1				
115	0110060020	FLANGE BOLT M6X1.0X14DX12L		3				
116	20B5070120	RECOIL STARTER AY		1	*			
D10		INC. 117-127			*			
116-1	20B50701H0	RECOIL STARTER AY	O	1				
D10		INC. 117-127						
117	20B5015008	STARTER CASE CP		1				
118	20B5012008	REEL		1				
119	1615012508	RATCHET		2				
120	2775015508	SPIRAL SPRING		1				
121	2275013108	FRICTION SPRING		1				
122	2275013508	RETURN SPRING		2				
123	1615015008	RATCHET GUIDE		1				
124	20B5010108	SET SCREW		1				
125	20B5011008	STARTER ROPE		1				
126	2615010018	STARTER KNOB		1				
127	20B5014608	PULLEY CP		1				
128	20B32901J1	INSULATOR CP		1	*			
D10		INC. 129-130			*			
128-1	20B32901K1	INSULATOR CP	O	1				
D10		INC. 129-130						
129	20B35901H3	GASKET 1		1				
130	20B35902H3	GASKET 2		1				
131	20E6230110	CARBURETOR AY		1	*			
D10		INC. 132-153			*			
131-1	20E6230130	CARBURETOR AY	<	1				
D10		INC. 132-153						
132	20B6235308	SCREW,THRO.ADJUST		1				
133	2616235208	SCREW VALVE SET		2				

Please order the parts with part number.

Print Date 18/10/2023



Model No.EG601A GENERATOR

Item	Parts No.	Description	I/C	Qty	New/Old	Opt. 1	Opt. 2	Note
134	20B6245308	SCREW		2				
135	20B6253508	VALVE,THROTTLE		1				
136	20B6252608	VALVE,CHOKE		1				
137	2266258008	AIR FILTER		1				
138	2586255408	FILTER CHOKE SHAFT		1				
139	2636251508	PIN,FLOAT		1				
140	20B6254108	O RING		1				
141	20B6254008	SPACER		1				
142	20B6252008	SPACER		1				
143	20B6244508	SPRING,THRO.AJUST		1				
144	20B6250508	FLOAT AY		1				
145	20B6250008	VALVE AY FLOAT		1				
146	20B6252718	CHOKE SHAFT		1				
147	20B6253008	SHAFT AY,THROTTLE		1				
148	20B6242108	JET, SLOW		1				
149	20B6243608	JET, MAIN (#107)		1				
150	20B6254208	O RING		1				
151	20B6255008	CHAMBER CP,FLOAT		1				
152	20B6235408	SCREW,DRAIN		1				
153	20B6235708	NEEDLE CP,IDLEADJUST		1	*			
154	20B79230H1	FLYWHEEL CP		1				
155	20B79430H1	IGNITION COIL CP		1				
156	0655000320	SPARK PLUG CAP		1				
157	0011406300	BOLT AND WASHER ASS'Y		2				
158	20B54101H3	COOLING BLOWER		1				
159	0180180010	FLANGE NUT M18X15X31DX14H		1				
160	0650140150	SPARK PLUG (BR6HS)		1				
161	20B7310101	WIRE 1 CP		1				
162	2147900601	CLAMP COMPLETE		1				
163	0110060010	FLANGE BOLT M6X1.0X14DX8L		1				
164	2797630151	OIL SENSOR CP		1	*			
164-1	2797630161	OIL LEVEL SENSOR CP	<	1				
165	0010406140	FLANGE BOLT		2				
166	20B7550103	WIRE CLAMP		1	*			
166-1	20B7550113	WIRE CLAMP	<	1				
167	0152060050	TAPPING BOLT		1				
168	36D2000108	STATOR CP		1	*			
168-1	FJ20345002	STATOR COMPLETE	O	1				
169	36D2010108	ROTOR CP		1	*			
169-1	FJ90455002	ROTOR COMPLETE	O	1				
170	36D2020108	AVR CP		1				
171	36A2030008	BRUSH CP		1				
172	36A2200008	GEN BRACKET 1		1				
172-1	36D2200008	BRACKET 1		1				

Please order the parts with part number.

Print Date 18/10/2023

Model No.EG601A GENERATOR

Item	Parts No.	Description	I/C	Qty	New/Old	Opt. 1	Opt. 2	Note
173	36C2210008	GEN BRACKET N		1				
174	36C2220008	GEN BRACKET 2		1				
175	36C2300008	BRACKET COVER		1				
176	36C2500008	BUSHING		1				
177	36D2100008	STATOR BOLT		4				
178	36A8000508	FLANGE BOLT		4				
179	36A8000108	FLANGE BOLT		2				
180	36A8010008	SCREW & WASHER AY		1				
181	36A8000208	FLANGE BOLT		4				
182	36A2500108	DIODE CP		1				
183	36A8010108	SCREW & WASHER AY		1				
184	36C2500208	TUBE		1				
185	36A2500308	GROMMET		1				
186	36A7000008	CONNECTOR(6P)		1				
187	36A7000408	CONNECTOR(4P)		1				
188	36A7000208	CONNECTOR(2P)		1				
189	36A7010108	RETAINER(2P)		3				
190	36A7010008	RETAINER(3P)		2				
191	36A7101308	WIRE(GREEN)		1				
192	36A7100108	WIRE(WHITE)		1				
193	36A8020008	SCREW		4				
194	36A7000508	CONNECTOR AY		1				
195	36D2110008	ROTOR BOLT		1				
196	36C2500408	SPONGE(FILTER)		1				
197	0732005820	LABEL (TRADE MARK)		1	*			
197-1	0732005821	LABEL (TRADE MARK)	O	1				
198	36D3000108	PIPE FRAME CP		1				
199	36C4000108	CONTOROL BOX AY		1				
200	36A8010408	SCREW & WASHER AY		4				
201	36A8010508	SCREW & WASHER AY		4				
202	36D3400008	BRACKET(TANK-A)CP		1				
203	36D3410008	GUIDE PLATE CP		1				
204	36D3200008	MUFFLER COVER (R) CP		1				
205	36D3210008	MUFFLER COVER (F) CP		1				
206	36A8030008	BOLT & WASHER AY		21				
207	36D3250008	MUFFLER BRACKET 1 CP		1				
208	36D3260008	MUFFLER BRACKET 2 CP		1				
209	36D3300008	MOUNT BASE CP		2				
210	36A8100208	FLANGE NUT		8				
211	36A8000608	FLANGE BOLT		4				
212	36A8100308	FLANGE NUT		6				
213	36A8000708	FLANGE BOLT		2				
214	36A8000808	FLANGE BOLT		3				
215	36A8100408	FLANGE NUT		1				
216	36D3700008	MOUNT CP		4				

Please order the parts with part number.

Print Date 18/10/2023

Model No.EG601A GENERATOR

Item	Parts No.	Description	I/C	Qty	New/Old	Opt. 1	Opt. 2	Note
217	36A8000408	FLANGE BOLT		1				
218	36A8200108	LOCK WASHER		1				
219	36A2500508	SPONGE(GEN)		2				
220	36D3500008	SPONGE(TANK)		1				
221	36C3500108	SPONGE(PANEL)		1				
222	36A7101908	WIRE(GREEN/YELLOW)		1				
223	36D9100208	LABEL(SPEC)		1				
224	36A9800308	LABEL(HOT & GAS)		1				
225	36A9800108	LABEL(FUEL COCK)		1				
226	20B30103A1	MUFFLER CP		1				
226-1	36D1100111	MUFFLER CP		1				
227	2673760101	SPARK ARRESTER CP		1	*			
227-1	2673760201	SPARK ARRESTER CP	O	1				
228	0150040060	TAPPING SCREW M4X6L		1				
229	0021808000	NUT		2				
230	0032008000	SPRING WASHER		2				
231	36D1400101	EXHAUST PIPE		1				
232	0103080070	BOLT		2				
233	0203080010	SPRING WASHER		2				
234	2703520101	GASKET COMPL.(EXHAUST)		2				
235	36D4100108	CONTROL PANEL CP		1				
236	36A4900008	SWITCH(ENGINE)		1				
237	36A4700108	AC CONCENT (GER)		2				
238	36C4800008	CIRCUIT BREAKER(10A)		1				
239	36A4900108	VOLT METER		1				
240	36A4710108	DC CONCENT		1				
241	36A4800108	CIRCUIT BREAKER(10A)		1				
242	36A8010208	SCREW & WASHER AY		1				
243	36A8200008	LOCK WASHER		1				
244	36A8100008	FLANGE NUT		1				
245	36A8210008	CAP WASHER		1				
246	36A8220008	WASHER		1				
247	36A8230008	SPRING WASHER		1				
248	36A8110008	WING NUT		1				
249	36A7000308	CONNECTOR(2P)		1				
250	36A7000108	CONNECTOR(6P)		1				
251	36A7010108	RETAINER(2P)		1				
252	36A7010008	RETAINER(3P)		2				
253	36A8010308	SCREW & WASHER AY		2				
254	36A8020108	SCREW		8				
255	36A8100108	FLANGE NUT		8				
256	36C4990008	GROMMET		1				
257	36A7100208	WIRE(WHITE)		1				
258	36A7100308	WIRE(WHITE)		1				
259	36A7100408	WIRE(BLACK)		1				

Please order the parts with part number.

Print Date 18/10/2023

Model No.EG601A GENERATOR

Item	Parts No.	Description	I/C	Qty	New/Old	Opt. 1	Opt. 2	Note
260	36A7101408	WIRE(GREEN)		1				
261	36A7100608	WIRE(BLACK)		1				
262	36A7101508	WIRE(RED)		1				
263	36A7101608	WIRE(RED)		1				
264	36A7101708	WIRE(GREEN)		1				
265	36A7101808	WIRE(BLUE)		1				
266	36D9000208	LABEL(TRADE MARK)		1				
267	36A9800408	LABEL(ELEC.SHOCK)		1				
268	31H3600501	FUEL TANK CP		1				
269	0430590011	FUEL TANK CAP, COMPLETE		1				
270	0641540011	FUEL FILTER		1				
271	0648001500	FUEL GAUGE COMPLETE		1				
272	0110060220	FLANGE BOLT		4				
273	3913900013	RUBBER (TANK)		4				
274	0642006400	FUEL STRAINER ASS'Y		1				
D10		INC. 275-279						
275	0642004210	CUP		1				
276	0642006410	RUBBER PACKING		1				
277	0642006420	SCREEN		1				
278	0642006430	NUT		1				
279	0642006440	RUBBER PACKING		1				
280	0851061860	RUBBER PIPE		1	*			
280-1	0851061861	RUBBER PIPE	<	1				
281	0561100030	HOSE CLAMP		2				
282	36D6000108	CORRUGATED TUBE(150)		1				
283	36A9800208	LABEL(SYMBOL-TANK)		1				
284	0318050020	ROLL PIN		1				
285	20B3760211	SILENCER CP		1				
286	0043104160	SCREW PANHEAD		1				
287	2703520101	GASKET COMPL.(EXHAUST)		1				
288	0023808000	FLANGE NUT		1				
289	0110080010	FLANGE BOLT		1				
290	0110080320	FLANGE BOLT		1				
291	20B3920301	BAND (SILENCER) CP		1				
292	20B66001H0	RUBBER PIPE AY		1				
293	20B3280101	SEAL SPONGE		2				
294	20B32660H8	CHOKE LABEL		1	*			
294-1	0732004430	LABEL(CHOKE)	<	1				
295	0732005570	LABEL(CAUTION)		1				
296	20B5960103	SPONGE		1				
297	20B5960203	SPONGE		1				
298	36A8220208	WASHER		1				
299	36A7500108	NOISE FILTER		1				
300	36A8030008	BOLT & WASHER AY		1				
301	36A8010708	SCREW & WASHER AY		1				

Please order the parts with part number.

Print Date 18/10/2023

Model No.EG601A GENERATOR

Item	Parts No.	Description	I/C	Qty	New/Old	Opt. 1	Opt. 2	Note
302	36A9802108	LABEL (CE CAUTION)		1				
303	36C9800108	LABEL (SOUND 97DB)		1				
A01	2249030300	ACCESSORY TOOLS KIT		1				
A02	36A7900008	BATTERY CABLE		1				

Please order the parts with part number.

Print Date 18/10/2023