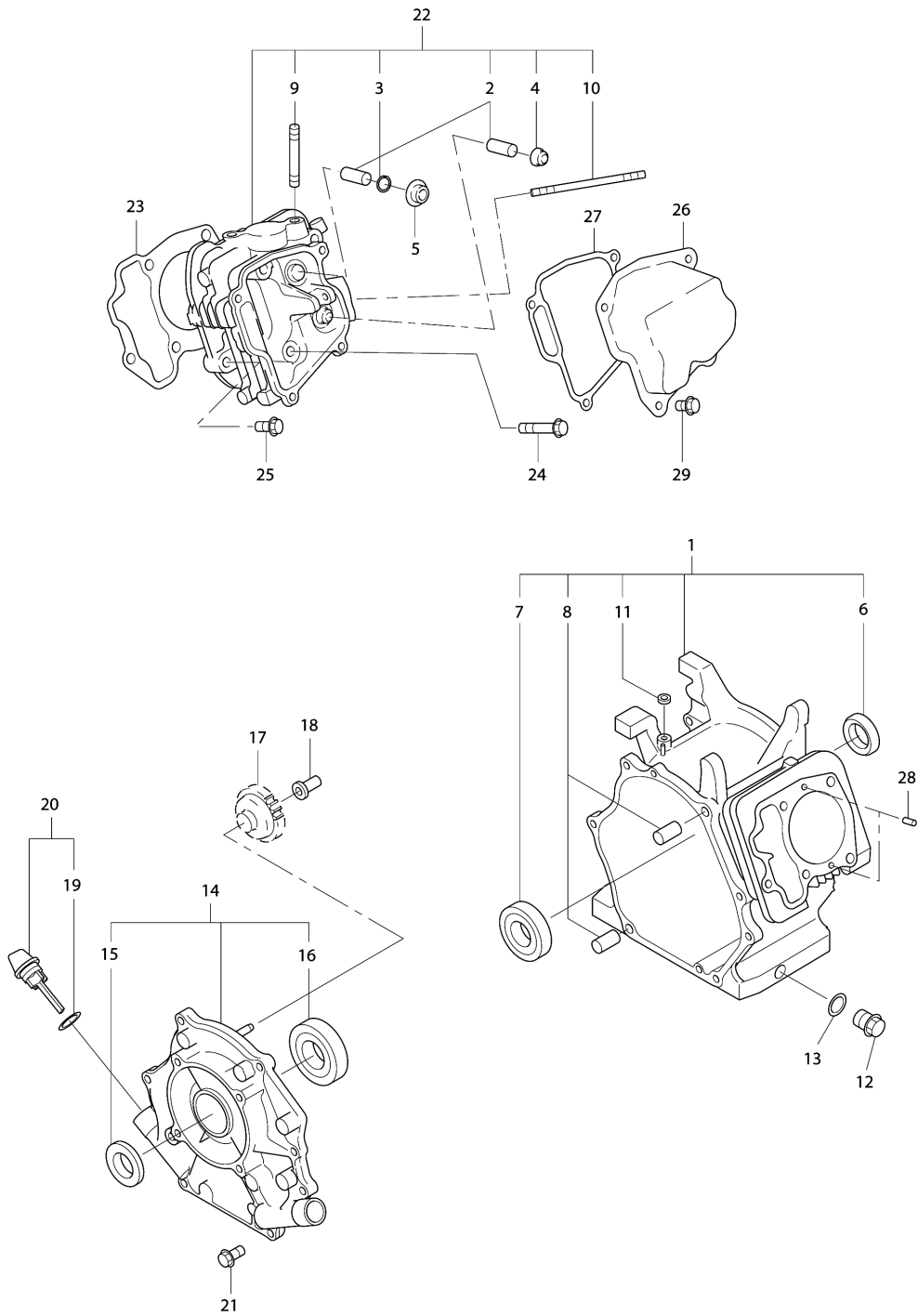
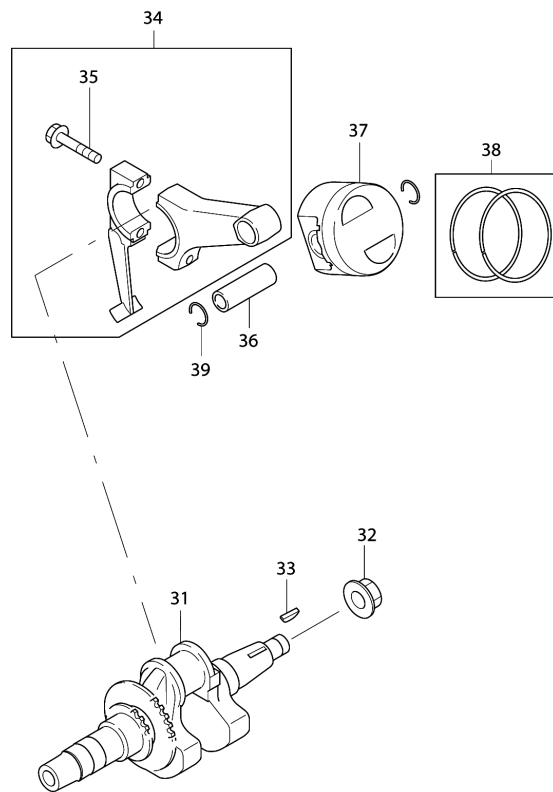


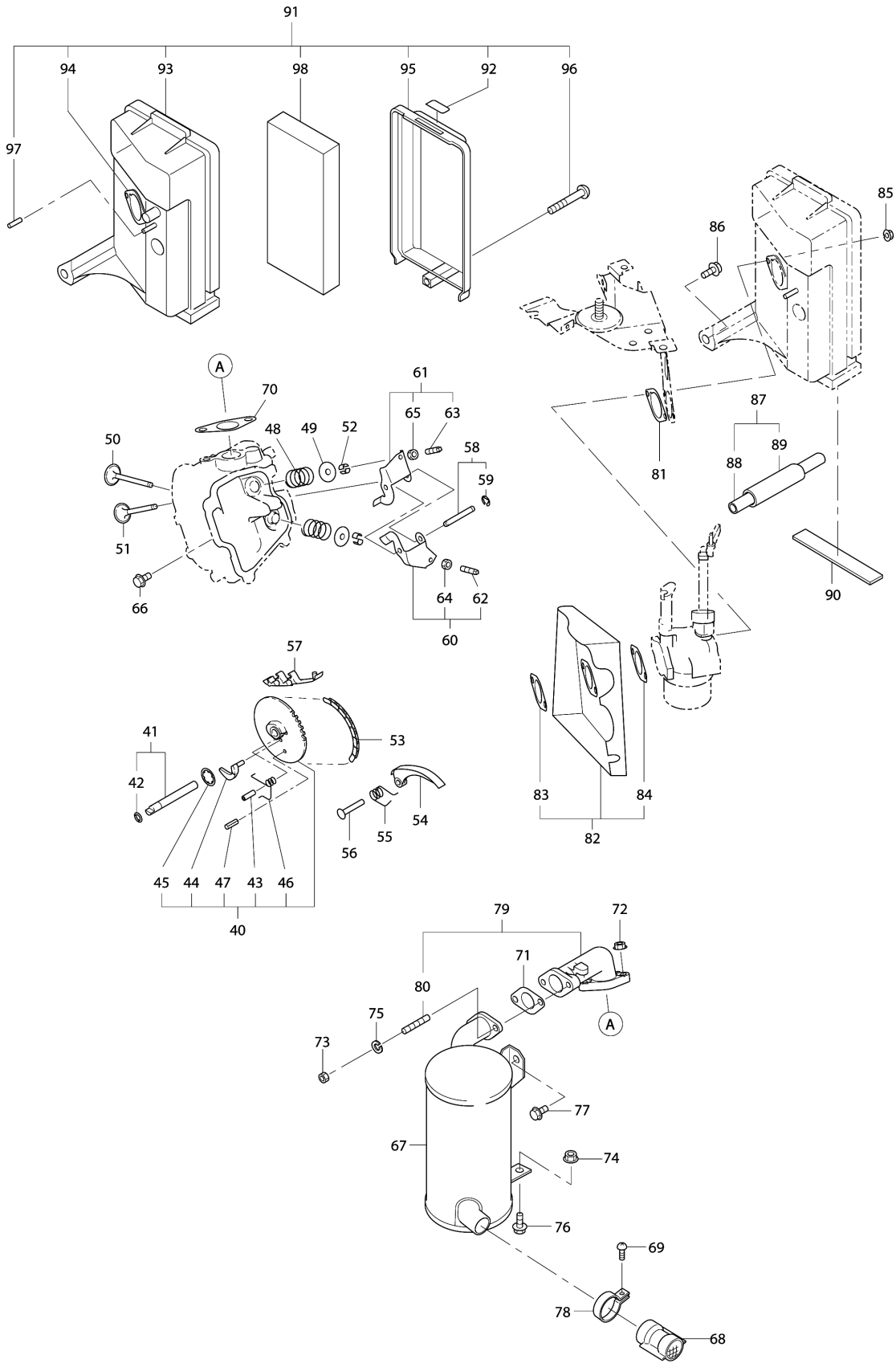
Model No. EG671A GENERATOR



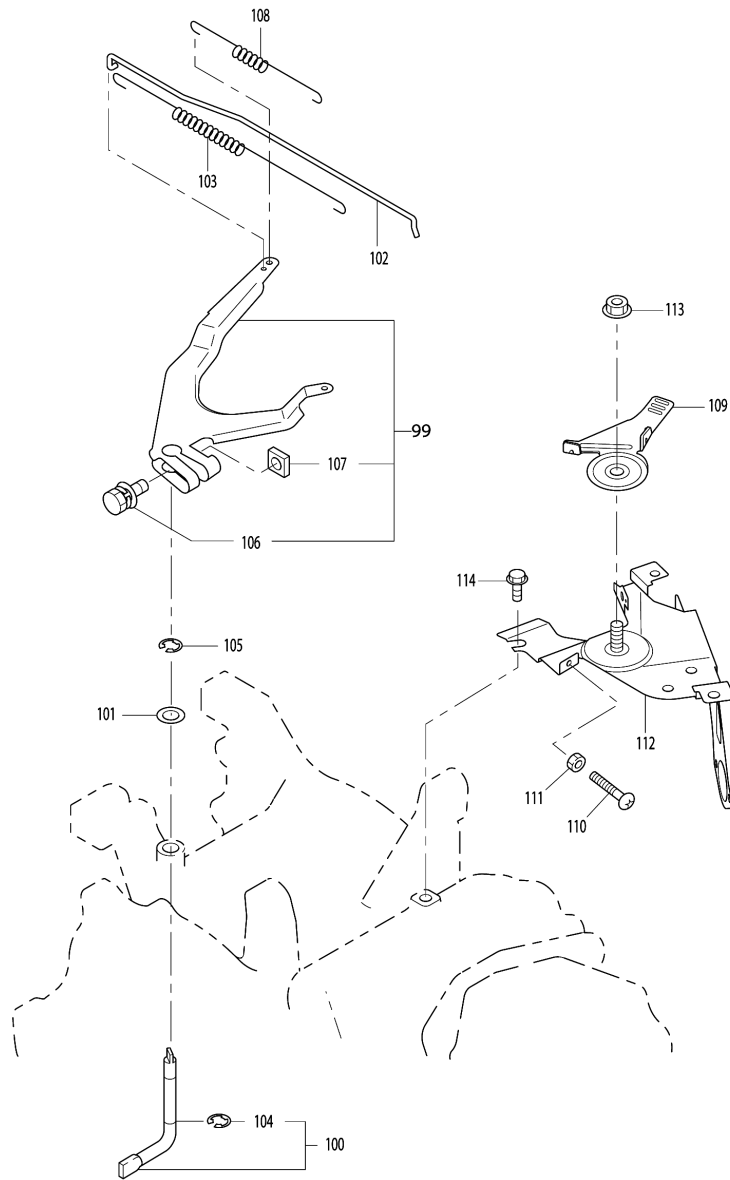
Model No. EG671A GENERATOR



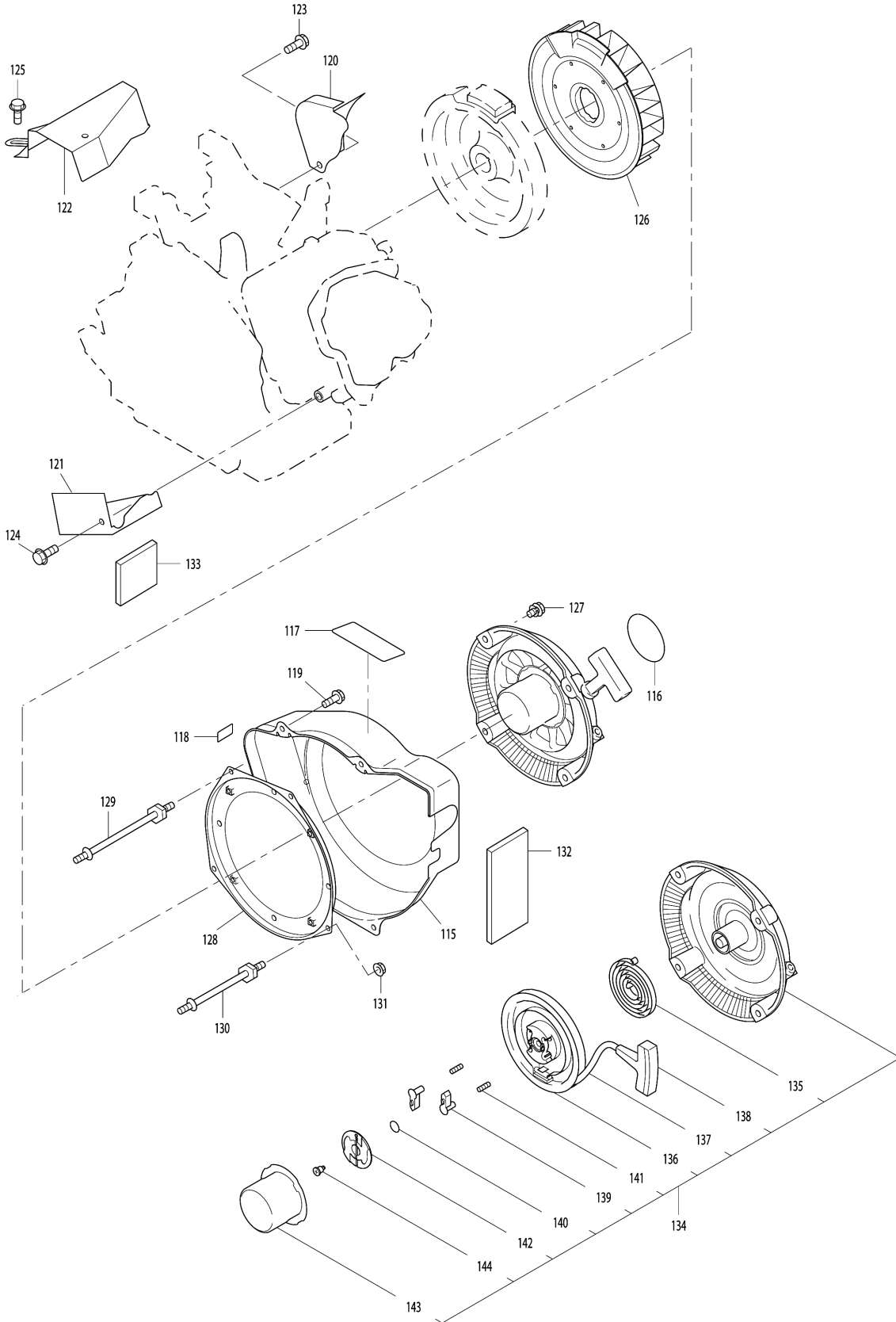
Model No. EG671A GENERATOR



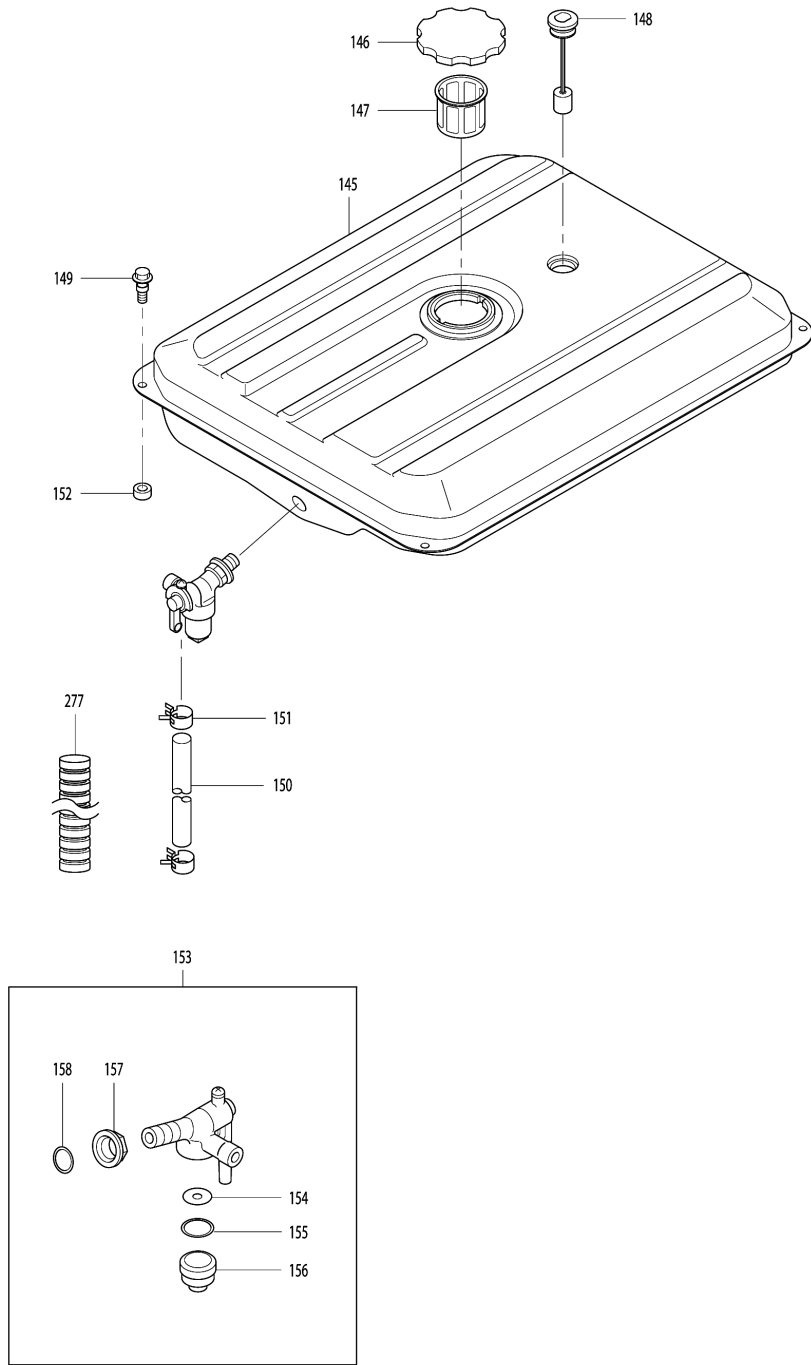
Model No. EG671A GENERATOR



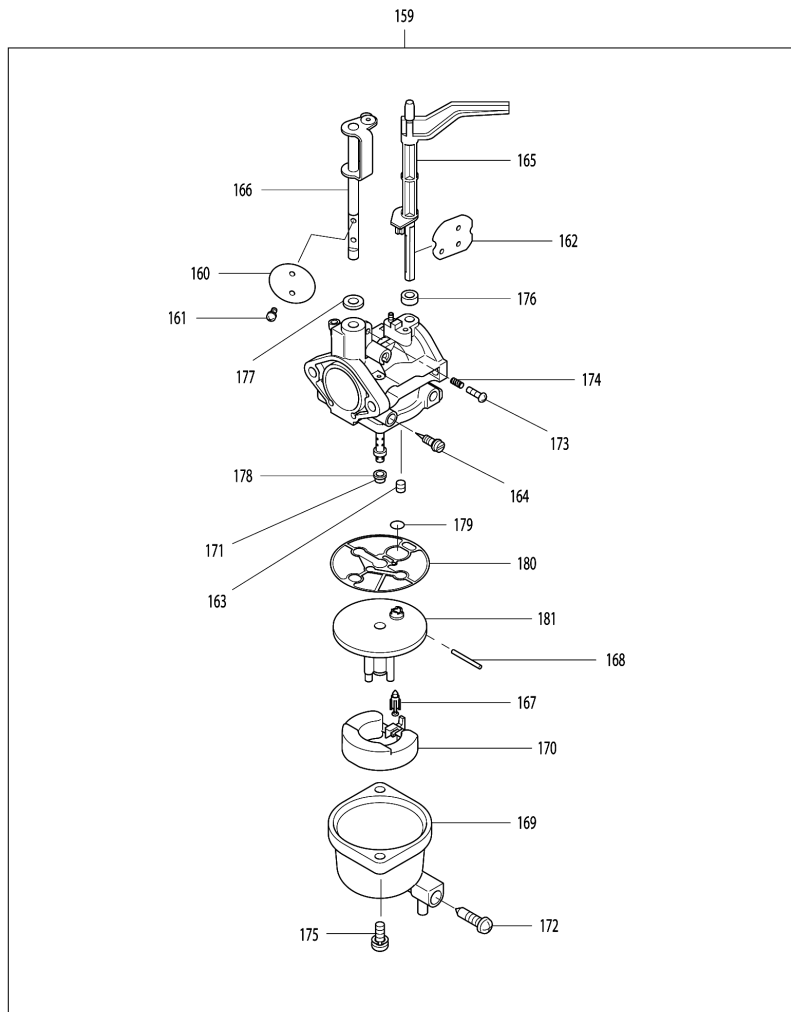
Model No. EG671A GENERATOR



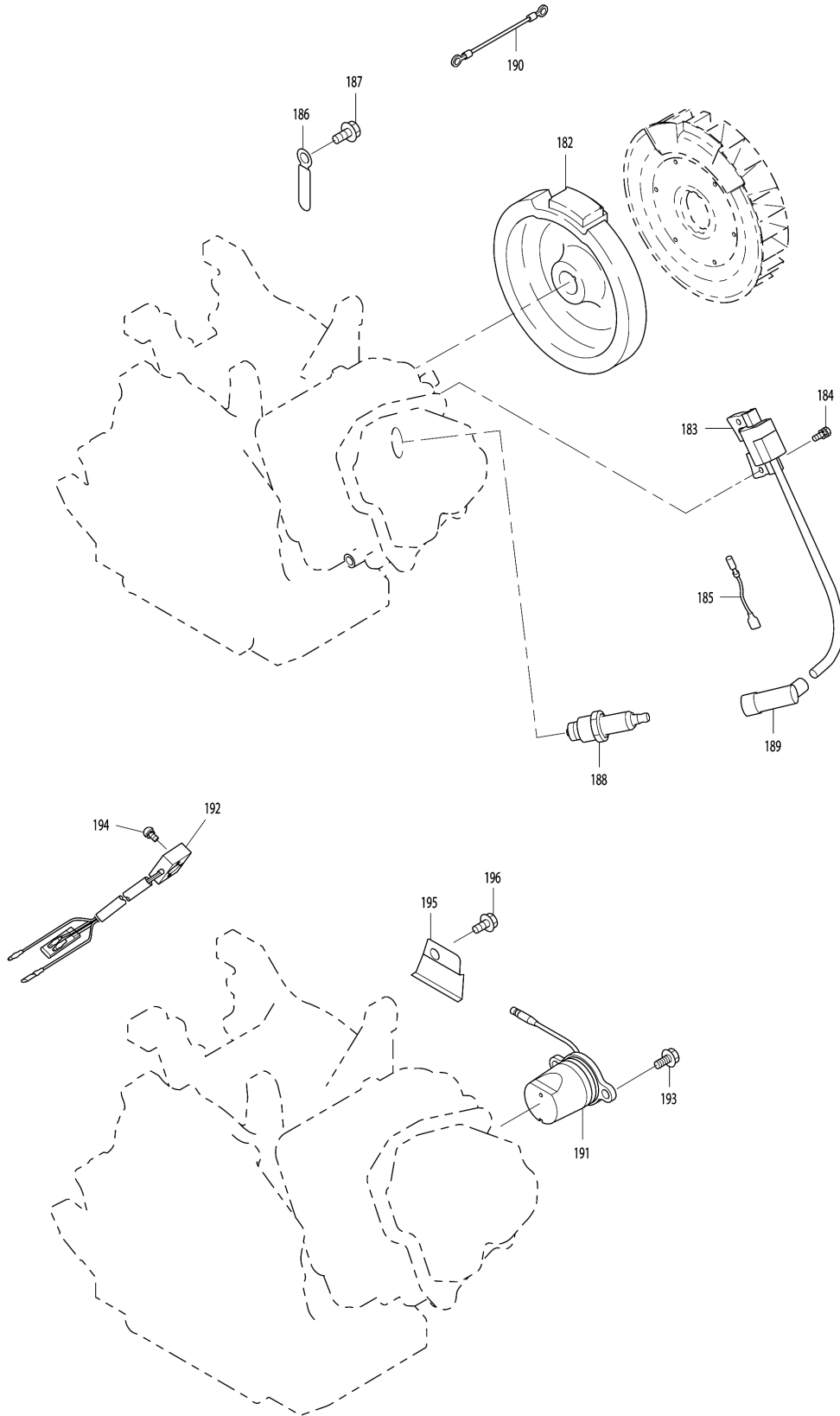
Model No. EG671A GENERATOR



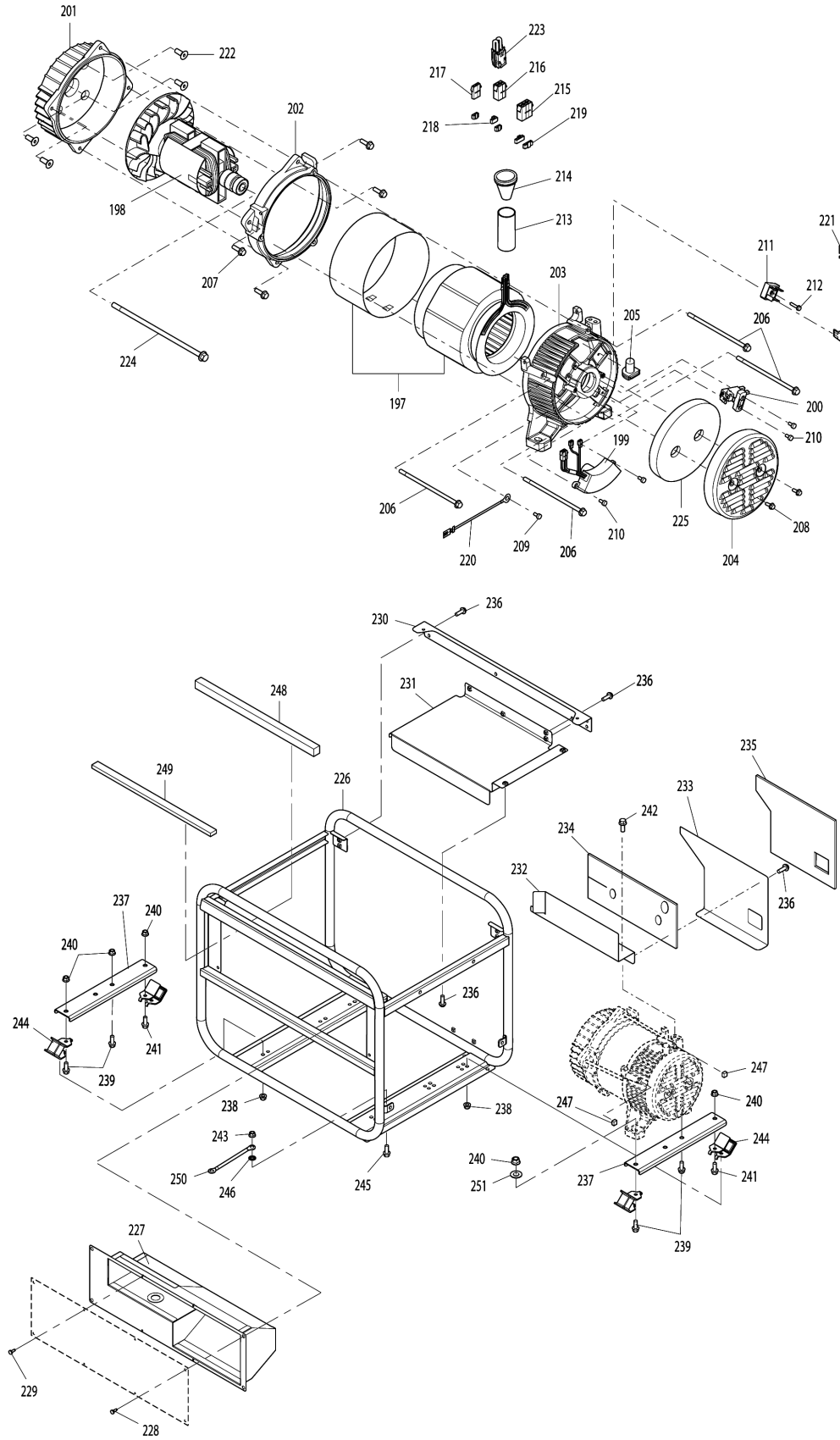
Model No. EG671A GENERATOR



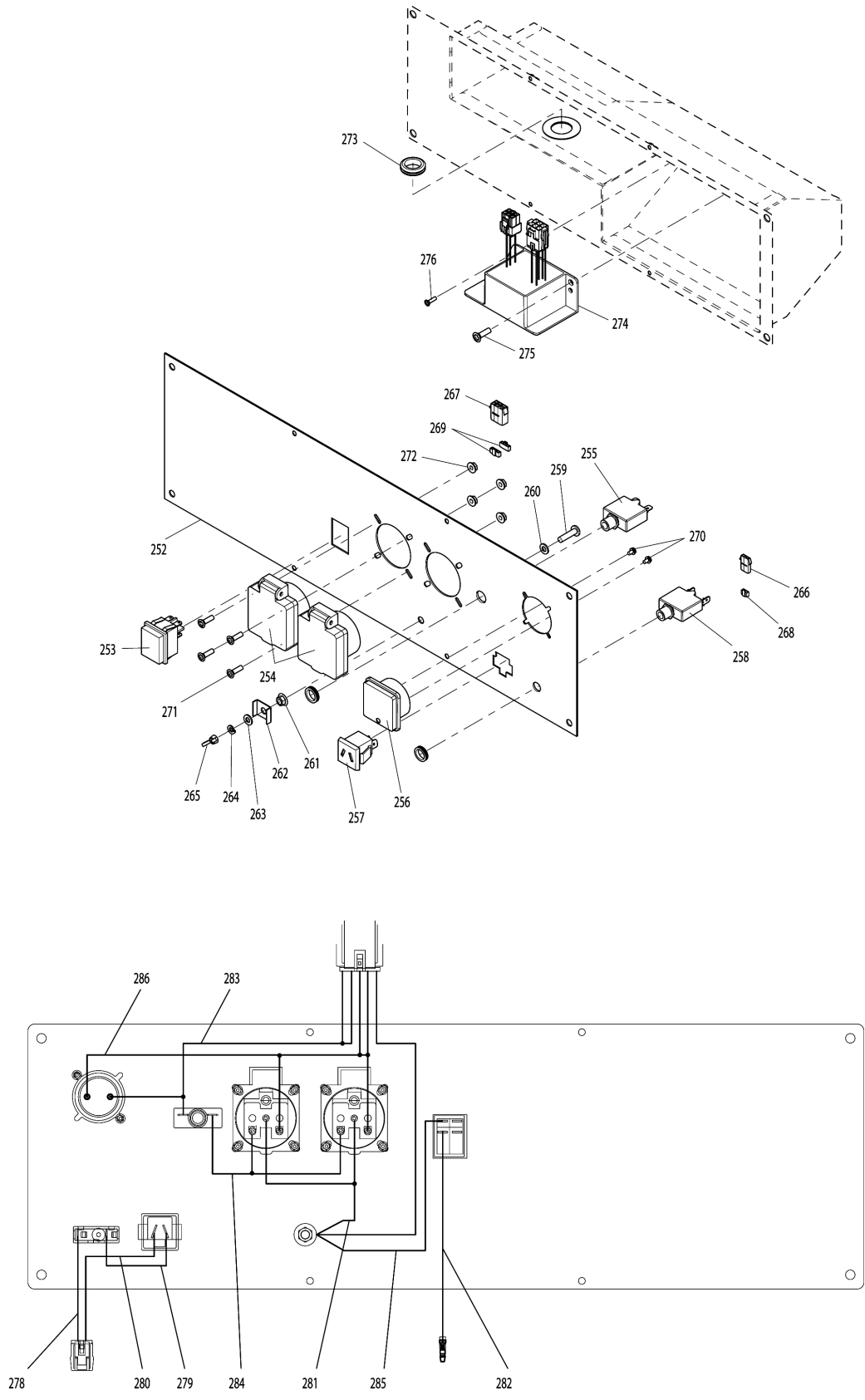
Model No. EG671A GENERATOR



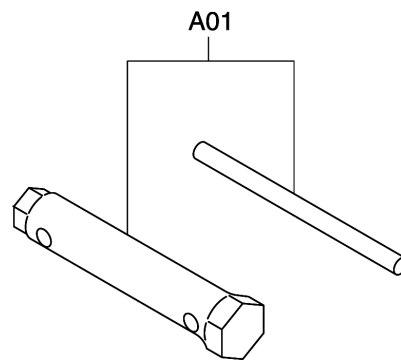
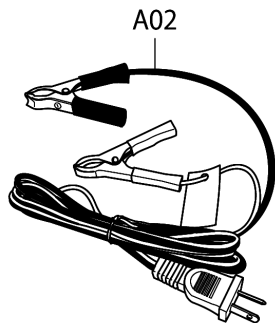
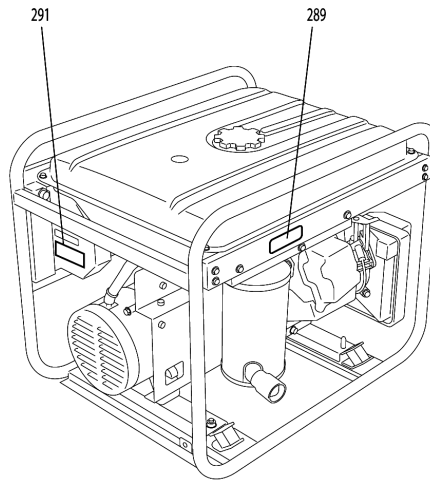
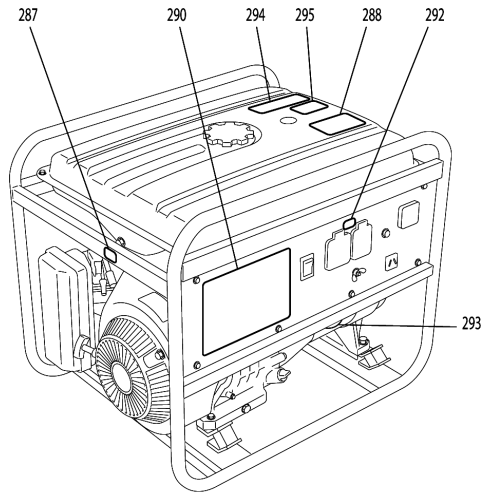
Model No.EG671A GENERATOR



Model No.EG671A GENERATOR



Model No. EG671A GENERATOR



Model No.EG671A GENERATOR

Item	Parts No.	Description	I/C	Qty	New/Old	Opt. 1	Opt. 2	Note
001	20B1010431	CRANK CASE CP		1	*			
D10		INC. 6-8,11			*			
001-1	20B1010451	CRANK CASE CP	<	1	*			
D10		INC. 6-8,11			*			
001-2	20B1010461	CRANK CASE COMPLETE	O	1				
D10		INC. 6-8,11						
002	20B1420203	VALVE GUIDE		2				
003	0565100050	CLIP		1				
004	13211AA110	SEAL(INTAKE VALVE)		1				
005	2633534103	RETAINER PLATE		1				
006	0440350090	OIL SEAL (TB 35X48X8MM)		1	*			
006-1	0440350091	OIL SEAL (TB 35X48X8MM)	<	1				
007	X600350240	BALL BEARING		1	*			
007-1	0600350300	BALL BEARING	O	1				
008	2771501103	PIPE KNOCK 10.3DX8.5DX14L		2				
009	0105080290	MUFFLER STUD		2				
010	0105060351	STUD M6X1.0X98L		2				
011	0440080010	OIL SEAL		1				
012	0401140030	PLUG		2				
013	0211140020	GASKET		2				
014	20B1100411	MAINBEARING COVER CP		1	*			
D10		INC. 15-16			*			
014-1	20B1100421	MAINBEARING COVER CP	<	1	*			
D10		INC. 15-16			*			
014-2	20B1100431	MAIN BEARING COVER CP	O	1				
D10		INC. 15-16						
015	0440350090	OIL SEAL (TB 35X48X8MM)		1	*			
015-1	0440350091	OIL SEAL (TB 35X48X8MM)	<	1				
016	X600350240	BALL BEARING		1	*			
016-1	0600350300	BALL BEARING	O	1				
017	20B4500301	GOVERNOR GEAR CP		1	*			
017-1	20B4500311	GOVERNOR GEAR CP	<	1				
018	2774190103	GOVERNOR SLEEVE		1	*			
018-1	2774190201	GOVERNOR SLEEVE CP	<	1				
019	0213200050	GASKET		2	*			
019-1	2796360108	GASKET	<	2	*			
019-2	0213200050	GASKET	O	2				
020	2796360130	OIL GAUGE AY		2				
D10		INC. 19						
021	0110080340	FLANGE BOLT		8				
022	20B1300100	CYLINDER HEAD AY		1				
D10		INC. 2-4,9-10						
023	20B1500103	GASKET(HEAD)		1	*			
023-1	20B1500123	GASKET(HEAD)	O	1	*			
023-2	20B1500133	GASKET(HEAD)	O	1				

Please order the parts with part number.

Print Date 23/1/2024

Model No.EG671A GENERATOR

Item	Parts No.	Description	I/C	Qty	New/Old	Opt. 1	Opt. 2	Note
024	0110100040	FLANGE BOLT		4				
025	0010408350	FLANGE BOLT		2				
026	20B1550101	ROCKER COVER CP		1				
027	20B1600103	GASKET(ROCKER COVER)		1				
028	0310060010	DOWEL PIN		2				
029	0110060020	FLANGE BOLT M6X1.0X14DX12L		4				
030	20B9900107	GASKET SET		1	*			
030-1	20B9900117	GASKET SET	O	1	*			
030-2	20B9900117	GASKET SET	<	1	*			
D10		INC.013,019,023,027,070,081,			*			
D20		INC.083,084			*			
030-3	20B9900127	GASKET SET	<	1	*			
D10		INC.013,019,023,027,070,081,			*			
D20		INC.083,084			*			
030-4	20B9900137	GASKET SET	O	1	*			
D10		INC.013,019,023,027,070,081,			*			
D20		INC.083,084			*			
031	20B2070101	CRANK SHAFT CP		1				
032	0180180010	FLANGE NUT M18X15X31DX14H		1				
033	0053205401	WOODRUFF KEY		1				
034	20B2250100	CONNECTING ROD AY		1	*			
D10		INC. 35			*			
034-1	20B2250300	CONNECTING ROD AY	<	1				
D10		INC. 35						
035	0010508400	FLANGE BOLT		2				
036	2632330133	PISTON PIN		1				
037	20B23401H3	PISTON		1	*			
037-1	20B23401J3	PISTON	<	1	*			
037-2	22B23401J7	PISTON SET	S	1				
D10		INC. 38						
037A_	20B23403H3	PISTON O/S 0.25		1	*			
037A1	20B23403J3	PISTON O/S 0.25	<	1	*			
037A2	22B23403J7	PISTON SET O/S 0.25	S	1	*			
D10		INC. 38A			*			
037A3	22B23403J3	PISTON O/S 0.25	X	1				
037B_	20B23404H3	PISTON O/S 0.5		1	*			
037B1	20B23404J3	PISTON O/S 0.5	<	1	*			
037B2	22B23404J7	PISTON SET O/S 0.5	S	1				
D10		INC. 38B						
038	20B2350107	PISTON RING SET		1	*			
038-1	22B2350107	PISTON RING SET	X	1				
038A_	20B2350207	PISTON RING SET O/S 0.25		1	*			
038A1	22B2350207	PISTON RING SET O/S 0.25	X	1				
038B_	20B2350307	PISTON RING SET O/S 0.5		1	*			

Please order the parts with part number.

Print Date 23/1/2024

Model No.EG671A GENERATOR

Item	Parts No.	Description	I/C	Qty	New/Old	Opt. 1	Opt. 2	Note
038B1	22B2350307	PISTON RING SET O/S 0.5	X	1				
039	0565210020	CLIP		2				
040	20B3160210	CAMSHAFT AY		1	*			
D10		INC. 43-47			*			
040-1	20B3160220	CAM SHAFT ASSY	<	1				
041	20B3510121	PIN (CAM SHAFT) CP		1				
042	0240070021	O-RING		1				
043	0051904100	SPRING PIN		1				
044	2773640103	RELEASE LEVER		1	*			
044-1	2773640113	RELEASE LEVER	<	1				
045	20B3650103	CLIP		1				
046	20B3870103	RETURN SPRING		1				
047	0318050020	ROLL PIN		1				
048	2463361103	VALVE SPRING		2				
049	2463371113	SPRING RETAINER		2				
050	20B33401H3	INTAKE VALVE		1				
051	20B33501H3	EXHAUST VALVE		1	*			
051-1	20B33502H3	EXHAUST VALVE	<	1				
052	2463550103	COLLET-VALVE		4				
053	20B35601H1	TIMING CHAIN CP		1				
054	2773691103	TENSIONER		1	*			
054-1	20A3691103	TENSIONER	<	1				
055	2773710103	SPRING(TENSIONER)		1				
056	2773690203	PIN(TENSIONER) 6DX13DX34L		1				
057	2773691313	CHAIN GUIDE		1	*			
057-1	20A3691303	CHAIN GUIDE	<	1				
058	20B3500101	PIN(ROCKER)CP		1				
D10		INC. 59						
059	0031306000	CLIP		1				
060	20B3610100	ROCKER ARM(IN) AY		1				
D10		INC. 62,64						
061	20B3610210	ROCKER ARM(EX) AY		1				
D10		INC. 63,65						
062	0149050020	ADJUST SCREW M5X23		1				
063	0149050020	ADJUST SCREW M5X23		1				
064	0170050030	NUT M5		1				
065	0170050030	NUT M5		1				
066	0110060010	FLANGE BOLT M6X1.0X14DX8L		1				
067	20B30103A1	MUFFLER CP		1				
068	20B3760211	SILENCER CP		1				
069	0043104160	SCREW PANHEAD		1				
070	20B3520103	GASKET(MUFFLER)		1	*			
070-1	20B3520113	GASKET(MUFFLER)	O	1				
071	2703520101	GASKET COMPL.(EXHAUST)		1				
072	0023808000	FLANGE NUT		2				

Please order the parts with part number.

Print Date 23/1/2024

Model No.EG671A GENERATOR

Item	Parts No.	Description	I/C	Qty	New/Old	Opt. 1	Opt. 2	Note
073	0021808000	NUT		2				
074	0023808000	FLANGE NUT		1				
075	0032008000	SPRING WASHER		2				
076	0110080010	FLANGE BOLT		1				
077	0110080320	FLANGE BOLT		1				
078	20B3920301	BAND (SILENCER) CP		1				
079	20B3400101	EXHAUST PIPE CP		1				
D10		INC. 79						
080	0105080290	MUFFLER STUD		2				
081	20B3590313	GASKET 3		1				
082	20B32901J1	INSULATOR CP		1	*			
D10		INC. 83-84			*			
082-1	20B32901K1	INSULATOR CP	O	1				
D10		INC. 83-84						
083	20B35902H3	GASKET 2		1				
084	20B35901H3	GASKET 1		1				
085	0023806000	FLANGE NUT M6		2				
086	0010406160	FLANGE BOLT		1				
087	20B66001H0	RUBBER PIPE AY		1				
D10		INC. 88-89						
088	X851100170	RUBBER PIPE		1				
089	20B69001H3	SPONGE PROTECTOR		1				
090	20B3280101	SEAL SPONGE		2				
091	20B32621H0	AIR CLEANER AY		1	*			
D10		INC. 92-98			*			
091-1	20B32621J0	AIR CLEANER AY	<	1				
D10		INC. 92-98						
092	20B32660H8	CHOKE LABEL		1	*			
092-1	0732004430	LABEL(CHOKE)	<	1				
093	20B32631H8	BODY CP		1	*			
093-1	20B32631J8	BODY COMPLETE	<	1				
094	20B32720H8	PACKING		1				
095	20B32640H8	COVER CP		1				
096	20B32650H8	BOLT		1				
097	20B32850H8	CAP		1				
098	20B32610H7	ELEMENT AY		1	*			
098-1	20B32610J7	ELEMENT AY	<	1				
099	20B4230110	GOVERNOR LEVER AY		1	*			
D10		INC. 106-107			*			
099-1	20B4230120	GOVERNOR LEVER AY	O	1				
D10		INC. 106-107						
100	20B4220101	GOVERNOR SHAFT CP		1				
D10		INC. 104						
101	0031108000	WASHER		1				
102	20B4270113	GOVERNOR ROD		1				

Please order the parts with part number.

Print Date 23/1/2024

Model No.EG671A GENERATOR

Item	Parts No.	Description	I/C	Qty	New/Old	Opt. 1	Opt. 2	Note
103	20B4280113	ROD SPRING		1				
104	0031306000	CLIP		1				
105	0031306000	CLIP		1				
106	0011406250	BOLT & WASHER ASS'Y		1				
107	0186060020	NUT M6X1.0X4.9H		1				
108	20B4250213	GOVERNOR SPRING		1				
109	20B4335103	SPEED CONTROL LEVER		1				
110	0043106400	SCREW		1				
111	0022706000	NUT M6		1				
112	20B4600121	SPEED CONTROL BKT CP		1				
113	0023506000	SELF LOCK NUT		1				
114	0110060020	FLANGE BOLT M6X1.0X14DX12L		1				
115	20B51201H1	BLOWER HOUSING CP		1				
116	0732005820	LABEL (TRADE MARK)		1	*			
116-1	0732005821	LABEL (TRADE MARK)	O	1				
117	0732005760	LABEL(WARNING)		1				
118	0732005570	LABEL(CAUTION)		1				
119	0010406160	FLANGE BOLT		5				
120	2795271111	BAFFLE 1 (CASE) COMPLETE		1				
121	20B52702H1	BAFFLE 2(HEAD) CP		1				
122	20B5500103	DUCT(CASE)		1				
123	0016508120	BOLT		1				
124	0110060020	FLANGE BOLT M6X1.0X14DX12L		3				
125	0110060020	FLANGE BOLT M6X1.0X14DX12L		3				
126	20B54101H3	COOLING BLOWER		1				
127	0130060281	BOLT AND WASHER AY		4				
128	20B5510102	RECOIL BRACKET UN		1				
129	0100080440	BOLT		1				
130	0100080450	BOLT		2				
131	0023806000	FLANGE NUT M6		3				
132	20B5960103	SPONGE		1				
133	20B5960203	SPONGE		1				
134	20B5070120	RECOIL STARTER AY		1	*			
D10		INC. 135-144			*			
134-1	20B50701H0	RECOIL STARTER AY	O	1				
D10		INC. 135-144						
135	2775015508	SPIRAL SPRING		1				
136	20B5012008	REEL		1				
137	20B5011008	STARTER ROPE		1				
138	2615010018	STARTER KNOB		1				
139	1615012508	RATCHET		2				
140	2275013108	FRICITION SPRING		1				
141	2275013508	RETURN SPRING		2				
142	1615015008	RATCHET GUIDE		1				

Please order the parts with part number.

Print Date 23/1/2024

Model No.EG671A GENERATOR

Item	Parts No.	Description	I/C	Qty	New/Old	Opt. 1	Opt. 2	Note
143	20B5014608	PULLEY CP		1				
144	20B5010108	SET SCREW		1				
145	31H3600501	FUEL TANK CP		1				
146	0430590011	FUEL TANK CAP, COMPLETE		1				
147	0641540011	FUEL FILTER		1				
148	0648001500	FUEL GAUGE COMPLETE		1				
149	0110060220	FLANGE BOLT		4				
150	0851061860	RUBBER PIPE		1	*			
150-1	0851061861	RUBBER PIPE	<	1				
151	0561100030	HOSE CLAMP		2				
152	3913900013	RUBBER (TANK)		4				
153	0642006400	FUEL STRAINER ASS'Y		1				
D10		INC. 154-158						
154	0642006420	SCREEN		1				
155	0642006410	RUBBER PACKING		1				
156	0642004210	CUP		1				
157	0642006430	NUT		1				
158	0642006440	RUBBER PACKING		1				
159	20B6230110	CARBURETOR AY		1	*			
D10		INC, 160-181			*			
159-1	20B6230120	CARBURETOR AY	<	1	*			
D10		INC, 160-181			*			
159-2	20B6230140	CARBURETOR AY	<	1				
D10		INC, 160-181						
160	20B6253508	VALVE,THROTTLE		1				
161	2616235208	SCREW VALVE SET		2				
162	20B6252608	VALVE,CHOKE		1				
163	20B6242008	JET, SLOW		1	*			
163-1	20B6242308	JET, SLOW	X	1				
164	20B6235708	NEEDLE CP,IDLEADJUST		1	*			
164-1	2616243508	NEEDLE(IDLE ADJUST)	X	1	*			
165	20B6252718	CHOKE SHAFT		1				
166	20B6253008	SHAFT AY,THROTTLE		1				
167	20B6250008	VALVE AY FLOAT		1				
168	2636251508	PIN,FLOAT		1				
169	20B6255008	CHAMBER CP,FLOAT		1				
170	20B6250508	FLOAT AY		1				
171	20B6240008	JET, MAIN (#10)		1	*			
171-1	20B6241908	JET, MAIN (#117)	X	1				
172	20B6235408	SCREW,DRAIN		1				
173	20B6235308	SCREW,THRO.ADJUST		1				
174	20B6244508	SPRING,THRO.ADJUST		1				
175	20B6245308	SCREW		2				
176	2586255408	FILTER CHOKE SHAFT		1				
177	2266258008	AIR FILTER		1				

Please order the parts with part number.

Print Date 23/1/2024

Model No.EG671A GENERATOR

Item	Parts No.	Description	I/C	Qty	New/Old	Opt. 1	Opt. 2	Note
178	20B6254208	O RING		1				
179	20B6254108	O RING		1				
180	20B6254008	SPACER		1				
181	20B6252008	SPACER		1				
182	20B79230H1	FLYWHEEL CP		1				
183	20B79430H1	IGNITION COIL CP		1				
184	0011406300	BOLT AND WASHER ASS'Y		2				
185	20B7310101	WIRE 1 CP		1				
186	2147900601	CLAMP COMPLETE		1				
187	0110060010	FLANGE BOLT M6X1.0X14DX8L		1				
188	0650140150	SPARK PLUG (BR6HS)		1				
189	0655000320	SPARK PLUG CAP		1				
190	20B7310201	WIRE 2 CP		1				
191	2797630151	OIL SENSOR CP		1	*			
191-1	2797630161	OIL LEVEL SENSOR CP	<	1				
192	KU31107601	FLOAT C/U CP10		1	*			
192-1	KU31107621	FLOAT C/U CP10	O	1				
193	0010406140	FLANGE BOLT		2				
194	0043604120	SCREW AND WASHER AY		2				
195	20B7550103	WIRE CLAMP		1	*			
195-1	20B7550113	WIRE CLAMP	<	1				
196	0152060050	TAPPING BOLT		1				
197	36E2000308	STATOR CP		1	*			
197-1	FJ20350002	STATOR COMPLETE	O	1				
198	36E2010208	ROTOR CP		1	*			
198-1	FJ90456002	ROTOR COMPLETE	O	1				
199	36E2020308	AVR CP		1				
200	36A2030008	BRUSH CP		1				
201	36D2200008	BRACKET 1		1				
202	36C2210008	GEN BRACKET N		1				
203	36C2220008	GEN BRACKET 2		1				
204	36C2300008	BRACKET COVER		1				
205	36C2500008	BUSHING		1				
206	36E2100108	STATOR BOLT		4				
207	36A8000508	FLANGE BOLT		4				
208	36A8000108	FLANGE BOLT		2				
209	36A8010008	SCREW & WASHER AY		1				
210	36A8000208	FLANGE BOLT		4				
211	36A2500108	DIODE CP		1				
212	36A8010108	SCREW & WASHER AY		1				
213	36C2500208	TUBE		1				
214	36A2500308	GROMMET		1				
215	36A7000008	CONNECTOR(6P)		1				
216	36A7000408	CONNECTOR(4P)		1				
217	36A7000208	CONNECTOR(2P)		1				

Please order the parts with part number.

Print Date 23/1/2024

Model No.EG671A GENERATOR

Item	Parts No.	Description	I/C	Qty	New/Old	Opt. 1	Opt. 2	Note
218	36A7010108	RETAINER(2P)		3				
219	36A7010008	RETAINER(3P)		2				
220	36A7101308	WIRE(GREEN)		1				
221	36A7100108	WIRE(WHITE)		1				
222	36A8020008	SCREW		4				
223	36A7000508	CONNECTOR AY		1				
224	36E2110108	ROTOR BOLT		1				
225	36C2500408	SPONGE(FILTER)		1				
226	36D3000108	PIPE FRAME CP		1				
227	36C4000108	CONTOROL BOX AY		1				
228	36A8010408	SCREW & WASHER AY		4				
229	36A8010508	SCREW & WASHER AY		4				
230	36D3400008	BRACKET(TANK-A)CP		1				
231	36D3410108	GUIDE PLATE CP		1				
232	36D3410208	PLATE ALT1		1				
233	36D3410308	PLATE ALT2		1				
234	36D3410408	SPONGE1(BARRIER)		1				
235	36D3410508	SPONGE2(BARRIER)		1				
236	36A8030008	BOLT & WASHER AY		12				
237	36D3300008	MOUNT BASE CP		2				
238	36A8100208	FLANGE NUT		8				
239	36A8000608	FLANGE BOLT		4				
240	36A8100308	FLANGE NUT		6				
241	36A8000708	FLANGE BOLT		2				
242	36A8000808	FLANGE BOLT		1				
243	36A8100408	FLANGE NUT		1				
244	36D3700008	MOUNT CP		4				
245	36A8000408	FLANGE BOLT		1				
246	36A8200108	LOCK WASHER		1				
247	36A2500508	SPONGE(GEN)		2				
248	36D3500008	SPONGE(TANK)		1				
249	36C3500108	SPONGE(PANEL)		1				
250	36A7101908	WIRE(GREEN/YELLOW)		1				
251	36A8220208	WASHER		1				
252	36E4100408	CONTROL PANEL CP		1				
253	36A4900008	SWITCH(ENGINE)		1				
254	36A4700108	AC CONCENT (GER)		2				
255	36E4800108	CIRCUIT BREAKER (24A)		1				
256	36A4900108	VOLT METER		1				
257	36A4710108	DC CONCENT		1				
258	36A4800108	CIRCUIT BREAKER(10A)		1				
259	36A8010208	SCREW & WASHER AY		1				
260	36A8200008	LOCK WASHER		1				
261	36A8100008	FLANGE NUT		1				
262	36A8210008	CAP WASHER		1				

Please order the parts with part number.

Print Date 23/1/2024

Model No.EG671A GENERATOR

Item	Parts No.	Description	I/C	Qty	New/Old	Opt. 1	Opt. 2	Note
263	36A8220008	WASHER		1				
264	36A8230008	SPRING WASHER		1				
265	36A8110008	WING NUT		1				
266	36A7000308	CONNECTOR(2P)		1				
267	36A7000108	CONNECTOR(6P)		1				
268	36A7010108	RETAINER(2P)		1				
269	36A7010008	RETAINER(3P)		2				
270	36A8010308	SCREW & WASHER AY		2				
271	36A8020108	SCREW		8				
272	36A8100108	FLANGE NUT		8				
273	36C4990008	GROMMET		1				
274	36A7500108	NOISE FILTER		1				
275	36A8030008	BOLT & WASHER AY		1				
276	36A8010708	SCREW & WASHER AY		1				
277	36D6000108	CORRUGATED TUBE(150)		1				
278	36A7100208	WIRE(WHITE)		1				
279	36A7100308	WIRE(WHITE)		1				
280	36A7100408	WIRE(BLACK)		1				
281	36A7101408	WIRE(GREEN)		1				
282	36A7100608	WIRE(BLACK)		1				
283	36A7101508	WIRE(RED)		1				
284	36A7101608	WIRE(RED)		1				
285	36A7101708	WIRE(GREEN)		1				
286	36A7101808	WIRE(BLUE)		1				
287	36A9800108	LABEL(FUEL COCK)		1				
288	36A9800208	LABEL(SYMBOL-TANK)		1				
289	36A9800308	LABEL(HOT & GAS)		1				
290	36E9000408	LABEL (TRADE MARK)		1				
291	36E9100408	LABEL (SPEC)		1				
292	36A9800408	LABEL(ELEC.SHOCK)		1				
293	0732005820	LABEL (TRADE MARK)		1	*			
293-1	0732005821	LABEL (TRADE MARK)	O	1				
294	36A9802108	LABEL (CE CAUTION)		1				
295	36C9800108	LABEL (SOUND 97DB)		1				
A01	2249030300	ACCESSORY TOOLS KIT		1				
A02	36A7900008	BATTERY CABLE		1				

Please order the parts with part number.

Print Date 23/1/2024